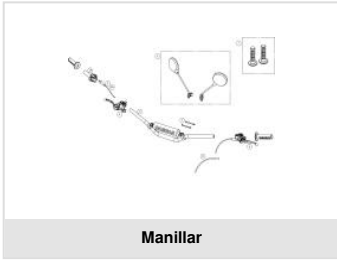


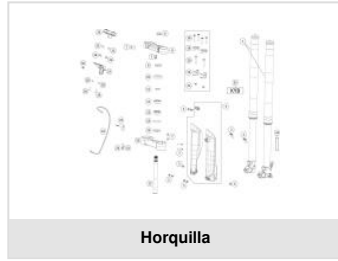


MR 300 RANGER WHITE 2024

Exploded



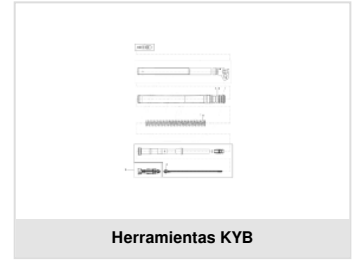
Manillar



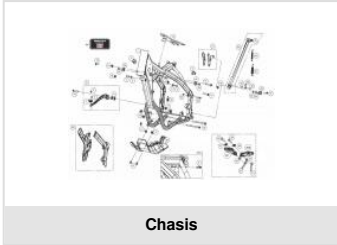
Horquilla



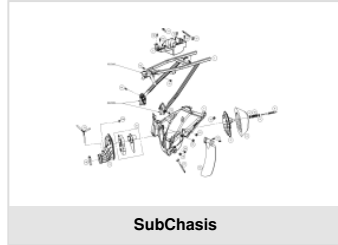
Repuestos Horquilla



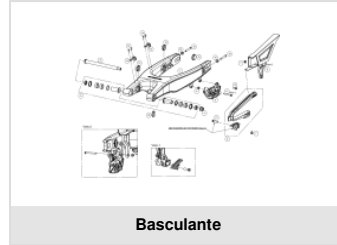
Herramientas KYB



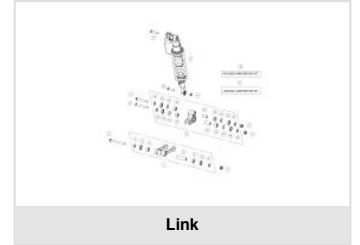
Chasis



SubChasis



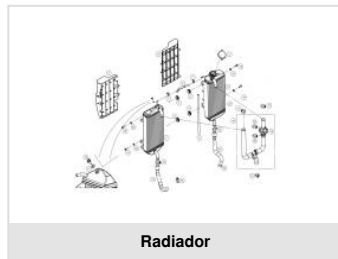
Basculante



Link



Amortiguador



Radiador



Parte Eléctrica



Guardabarros delantero



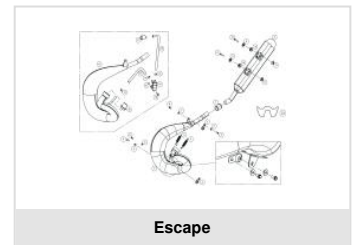
Faro Delantero



Depósito



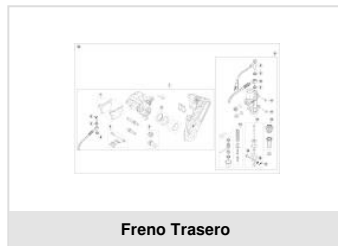
Plástica Trasera



Escape



Freno Delantero



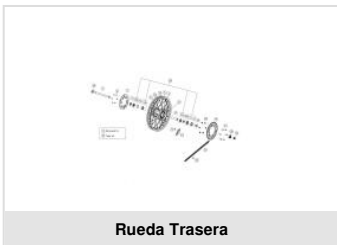
Freno Trasero



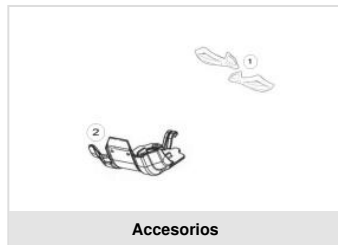
Mando Embrague



Rueda Delantera



Rueda Trasera



Accesorios



Adhesivos



Accesorios



Kit Electroventilador

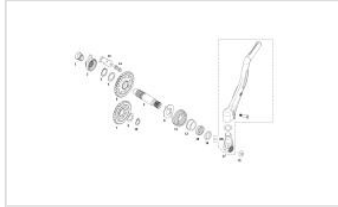


CALCAS LENTICULAR LATERAL

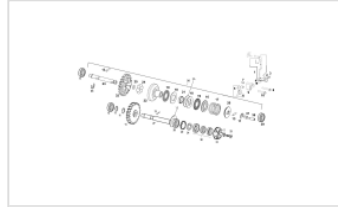


PLASTICOS

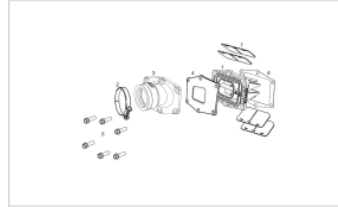
ENGINE MR 2022 V2



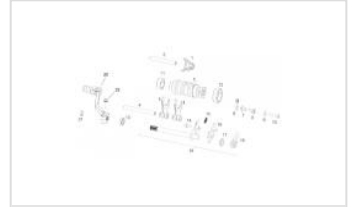
PALANCA DE ARRANQUE



BOMBA DE AGUA



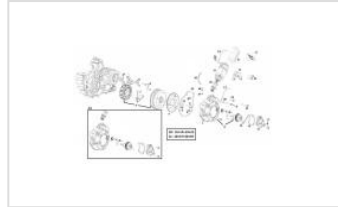
VALVULA DE LAMINAS



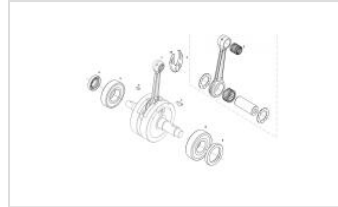
EJE DE CAMBIO



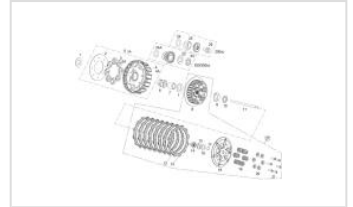
CARTER



GENERADOR - ARRANQUE ELECTRICO



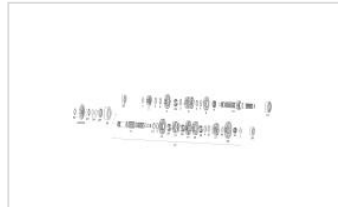
CIGÜEÑAL



EMBRAGUE



CILINDRO



CAMBIO

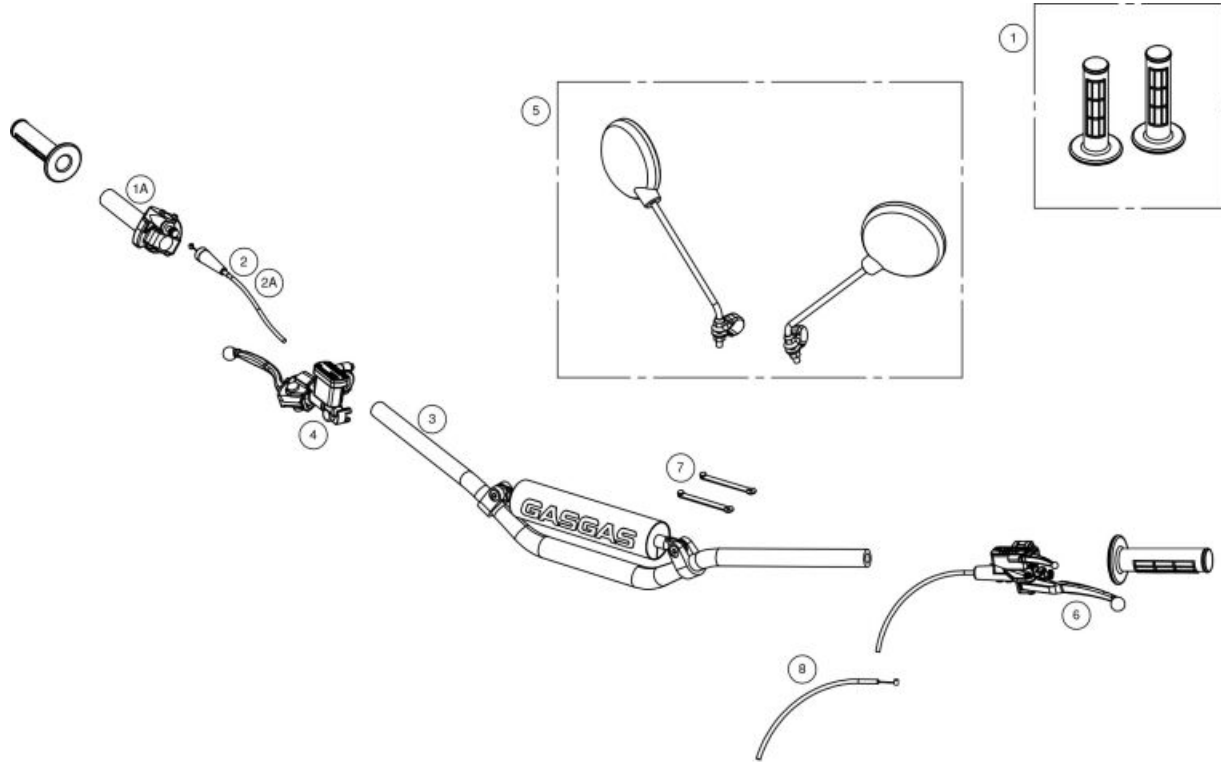


CARBURADOR



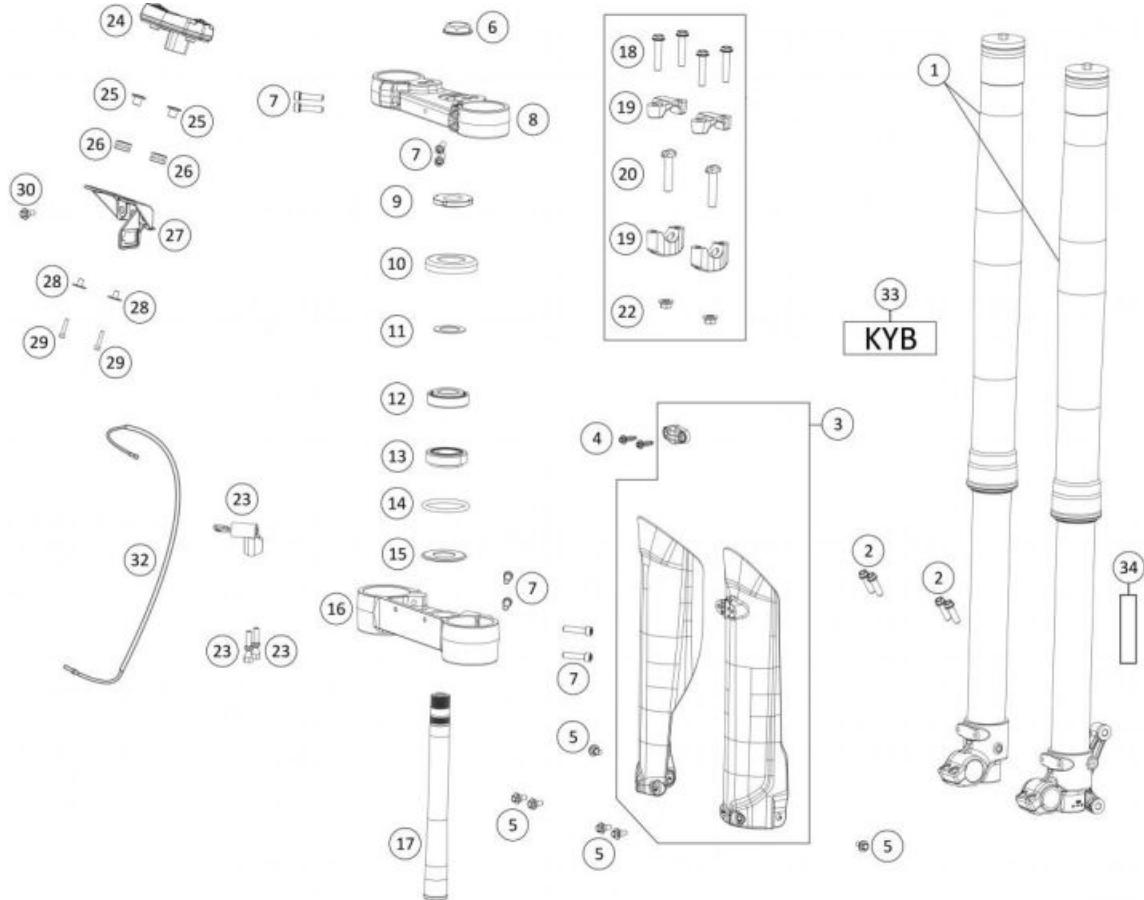
HERRAMIENTAS MOTOR

Manillar



1	<ul style="list-style-type: none"> JUEGO EMPUÑADURAS NEGRO 0/000.530.9101 (u. 1) 	
1A	<ul style="list-style-type: none"> PUÑO GAS TT (3291.03.00-1) 0/000.530.9100 (u. 1) 	
2	<ul style="list-style-type: none"> CABLE DE GAS ENDURO 2018 0/000.550.9101 (u. 1) 	
2A	<ul style="list-style-type: none"> CABLE DE GAS ENDURO 2018 DE HOMOLOGACION 0/000.550.9102 (u. 1) 	
3	<ul style="list-style-type: none"> MANILLAR EC RACING 2014 MT339KP 0/000.170.9100 (u. 1) 	OBSOLETA
4	<ul style="list-style-type: none"> BOMBA FRENO DELANTERO ECRANGER BE61000CT-CTR-1 (u. 1) 	
5	<ul style="list-style-type: none"> CTO.ESPEJO RETROVISOR(REG 81) 0/000.990.9100 (u. 1) 	
6	<ul style="list-style-type: none"> CTO.EMBR.EC MAGURA 9.5 (167) 0/000.830.9101 (u. 1) 	
7	<ul style="list-style-type: none"> GOMA SUJ.CABLEADOS 0/000.360.9110 (u. 2) ABRAZADERA LARGA FIJ.INST.2237 0/000.680.0060 (u. 2) 	
8	<ul style="list-style-type: none"> CABLE STARTER ENDURO 2018 0/000.550.9100 (u. 1) 	

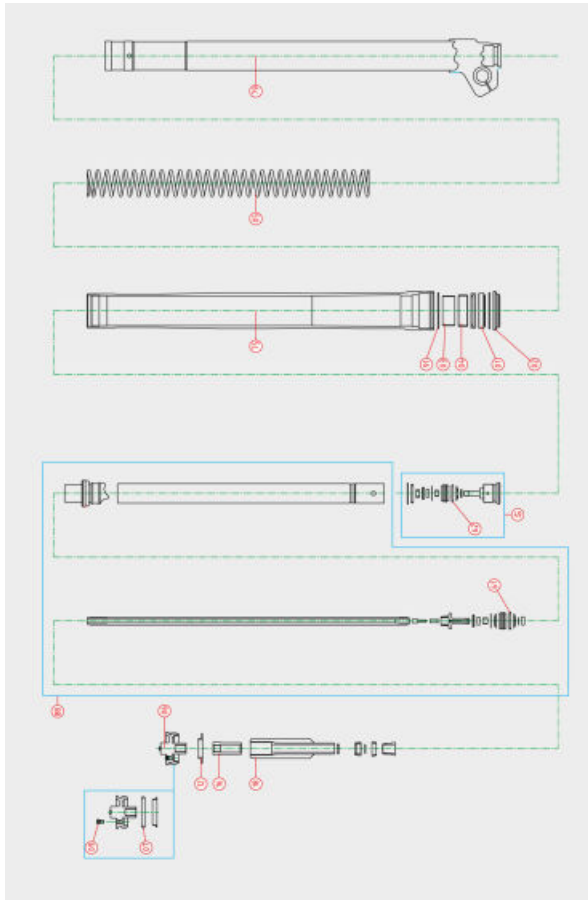
Horquilla



1	● CJTO. SUSPENSION MR RANGER 0/K00.130.9102 (u. 1)
2	● TORN.ESP. DIN 6921 Hex.10 M8x25 Cal.10.9 GEOMET 0/000.460.9137 (u. 4)
3	● CJTO. PROTECTORES HORQUILLA MR BLANCO 0/000.220.9144 (u. 1)
4	● TORN. ESP. ROSCA PLASTICO Hex.6 C/Arandela 6x20 0/000.460.9178 (u. 2)
5	● TORN.ESP. DIN 6921 Hex.8 C/Centrador M6x8 0/000.460.9162 (u. 6)
6	● TUERCA DIR.SUP. 0/000.340.9102 (u. 1)
7	● ALLEN 7X30 DIN 912 ZINC 12.9 0/000.460.9151 (u. 10)
8	● BRIDA SUSPENSION SUPERIOR PAMPERA 0/000.660.9103 (u. 1)
9	● TUERCA DIRECCION INFERIOR 0/000.340.9101 (u. 1)
10	● GUARDAPOLVO COJ.DIR.TT NEGRO 0/000.200.9100 (u. 1)
11	● ARANDELA DIR.INF. 0/000.440.9101 (u. 1)
12	● COJINETE DIR.30205A 0/000.960.9101 (u. 1)
13	● COJINETE DIR.INF.320/28 0/000.960.9100 (u. 1)
14	● TORICA DIR.50X5 0/000.490.9102 (u. 1)

15	<ul style="list-style-type: none"> CAZOLETA DIR.D28 0/000.200.9101 (u. 1)
16	<ul style="list-style-type: none"> BRIDA SUSPENSION INFERIOR PAMPERA 0/000.660.9101 (u. 1)
17	<ul style="list-style-type: none"> EJE DIRECCION 0/000.190.9100 (u. 1)
18	<ul style="list-style-type: none"> TORN.ESP. DIN 6921 Hex.10 M8x40 Fil.31 Cal.10.9 GE 0/000.460.9140 (u. 4)
19	<ul style="list-style-type: none"> KIT PUENTES SUPERIRO MANILLAR NEGRO RANGER 0/K00.350.9103 (u. 1)
20	<ul style="list-style-type: none"> TORN.ESP.10X45 BRIDA INF. G5 12.9 0/000.460.9113 (u. 2)
22	<ul style="list-style-type: none"> TUERCA AUTOB.M10 PASO 1.50 ARAND. DIN 6926 ZINC 8 0/000.340.9124 (u. 2)
	<ul style="list-style-type: none"> TUERCA DIN 6926 M10 Cal.8 Z/BLANCO 0/000.340.0182 (u. 2)
23	<ul style="list-style-type: none"> KIT BLOQUEO DIRECCION ENDURO 2018 BE15025CT-CLJ-1 (u. 1)
24	<ul style="list-style-type: none"> CTO.MULTIFUNCION "EVEREST" EC 2018 0/001.000.9100 (u. 1)
25	<ul style="list-style-type: none"> ARANDELA ALA ANCHA DIN 522 M4 INOX 0/000.440.0044 (u. 2)
	<ul style="list-style-type: none"> ARANDELA SCHNORR M4 INOX 0/000.440.0043 (u. 2)
26	<ul style="list-style-type: none"> GOMA SILENTBLOCK CUENTA KM 0/000.360.4002 (u. 2)
27	<ul style="list-style-type: none"> SOPORTE MULTIFUNCION EC 2018 0/000.980.9108 (u. 1)
28	<ul style="list-style-type: none"> CASQUILLO MARCADOR MR 0/000.480.9130 (u. 2)
30	<ul style="list-style-type: none"> TORN.ESP. DIN 6921 Hex.8 C/Centrador M6x7 0/000.460.9161 (u. 1)
32	<ul style="list-style-type: none"> SENSOR CUENTA KM ENDURO 0/001.010.9100 (u. 1)
33	<ul style="list-style-type: none"> ADHESIVO SUSPENSION ROJO KYB 200 x 87 mm 0/000.390.9142 (u. 1)
34	<ul style="list-style-type: none"> CATADRIOPTICO ADHESIVO (8159) 0/000.630.9102 (u. 2)

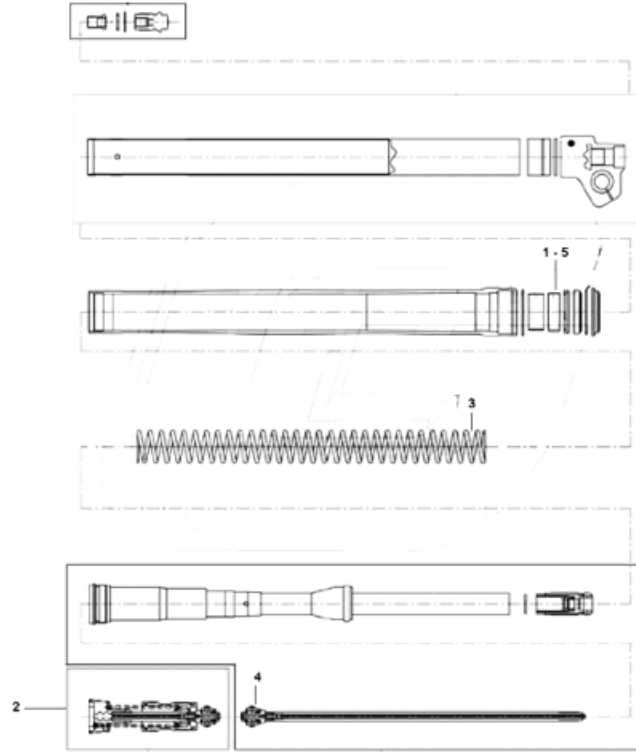
Repuestos Horquilla



1	<ul style="list-style-type: none"> ● CTO.RETENES SUSPENSION KAYABA ECRANGER BE20140CT-CTR-1 (u. 1)
2	<ul style="list-style-type: none"> ● CTO.GUARDAPOLVO SUSPENSION KAYABA ECRANGER BE20130CT-CTR-1 (u. 1)
3	<ul style="list-style-type: none"> ● GLACIER BOTELLA SUSPENSION KAYABA ECRANGER BE20150GG-CTR-1 (u. 1)
4	<ul style="list-style-type: none"> ● GLACIER BARRA SUSPENSION KAYABA ECRANGER BE20151GG-CTR-1 (u. 1)
5	<ul style="list-style-type: none"> ● CTO.MUELLES SUSPENSION K-4.2N KAYABA ECRANGER BE20172CT-CTR-1 (u. 1)
	<ul style="list-style-type: none"> ● CTO.MUELLES SUSPENSION K-3.8N KAYABA ECRANGER BE20171CT-CTR-1 (u. 1)
	<ul style="list-style-type: none"> ● CTO.MUELLES SUSPENSION K-4.0N KAYABA ECRANGER BE20170CT-CTR-1 (u. 1)
6	<ul style="list-style-type: none"> ● CTO. TAPON COMPRESION ECRANGER BE20125GG-CTR-1 (u. 1)
7	<ul style="list-style-type: none"> ● TORICA TAPON COMPRESION ECRANGER BE20126GG-CTR-1 (u. 1)
9	<ul style="list-style-type: none"> ● TORNILLO TAPON REGULACION COMPRESION CON TORICA ECRANGER BE20175GG-CTR-1 (u. 1)
12	<ul style="list-style-type: none"> ● MUELLE TAPON COMPRESION ECRANGER BE20195GG-CTR-1 (u. 1)
16	<ul style="list-style-type: none"> ● TUERCA GUIA MUELLE ECRANGER BE20156GG-CTR-1 (u. 1)
18	<ul style="list-style-type: none"> ● GUIA MUELLE ECRANGER BE20155GG-CTR-1 (u. 1)
49	<ul style="list-style-type: none"> ● TAPON BASE COMPRESION ECRANGER BE20250GG-CTR-1 (u. 1)

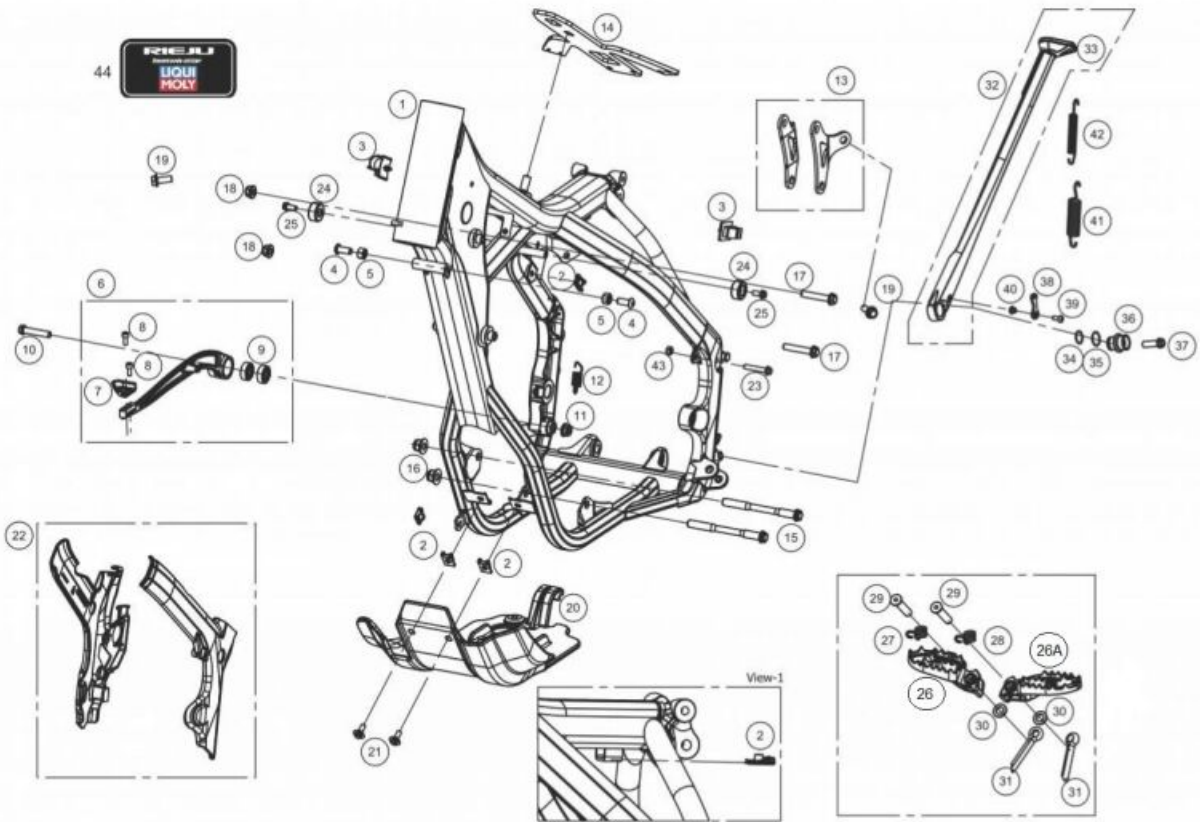
61	<ul style="list-style-type: none">• SEEGER PISTON REBOTE ECRANGER BE20260GG-CTR-1 (u. 1)
62	<ul style="list-style-type: none">• TORICA TAPON BASE COMPRESION ECRANGER BE20255GG-CTR-1 (u. 1)
75	<ul style="list-style-type: none">• BOTELLA SUSPENSION KAYABA ECRANGER BE20100GG-CTR-1 (u. 1)
79	<ul style="list-style-type: none">• CTO.BARRA SUSPENSION DERECHA KAYABA ECRANGER BE20110CT-CTR-1 (u. 1)
	<ul style="list-style-type: none">• CTO.BARRA SUSPENSION IZQUIERDA KAYABA ECRANGER BE20115CT-CTR-1 (u. 1)
88	<ul style="list-style-type: none">• BASTAGO COMPRESION ECRANGER BE20190GG-CTR-1 (u. 1)
91	<ul style="list-style-type: none">• CIRCLIP SUSPENSION KAYABA ECRANGER BE20135GG-CTR-1 (u. 1)

Herramientas KYB



- | | |
|---|--|
| 1 | <ul style="list-style-type: none"> ● UTIL RETEN SUSPENSION KAYABA ENDURO
BE20225GG-CLJ-1 (u. 1) |
| 2 | <ul style="list-style-type: none"> ● LLAVE TAPON SUSPENSION KAYABA ENDURO
BE21105GG-CLJ-1 (u. 1) |
| 3 | <ul style="list-style-type: none"> ● UTIL SOPORTE PISTON AJUSTE SUSPENSION KAYABA ENDURO
BE20230GG-CLJ-1 (u. 1) |
| 4 | <ul style="list-style-type: none"> ● LLAVE TAPON CARTUCHO SUSPENSION KAYABA ENDURO
BE21106GG-CLJ-1 (u. 1) |
| 5 | <ul style="list-style-type: none"> ● UTIL INSERTADOR RETEN SUSPENSION KAYABA ENDURO
BE20235GG-CLJ-1 (u. 1) |

Chasis

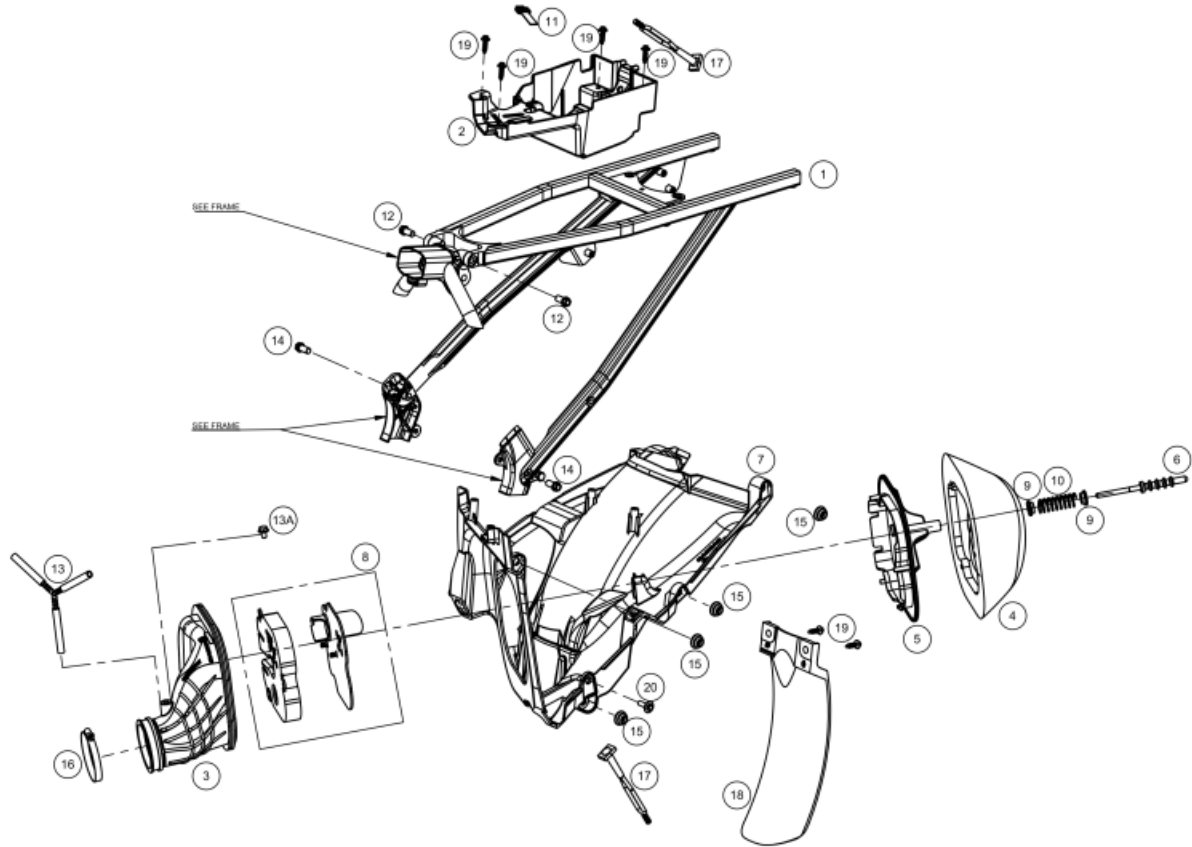


- | | |
|----|---|
| 1 | <ul style="list-style-type: none"> ● CHASIS EC 250 300 2T 2018 NEGRO
0/000.010.9100 (u. 1) |
| 2 | <ul style="list-style-type: none"> ● TUERCA NUT 956 RAPIDA M-6 HRc 40/48
0/000.340.9120 (u. 3) |
| 3 | <ul style="list-style-type: none"> ● CLIP (1E3J) SUJECIÓN INSTALACIÓN ENDURO 2018
0/000.630.9100 (u. 2) |
| 4 | <ul style="list-style-type: none"> ● ULS 8x25 ISO 7380-1 ZN 10.9
0/000.460.9157 (u. 2) |
| 5 | <ul style="list-style-type: none"> ● TUERCA tope DIR.M8x13x8 ISO 4033 ZINC
0/000.340.9109 (u. 2) |
| 6 | <ul style="list-style-type: none"> ● PEDAL FRENO ENDURO 2018
0/000.730.9100 (u. 1) |
| 7 | <ul style="list-style-type: none"> ● PUNTERA PEDAL FRENO
BE130102510 (u. 1) |
| 9 | <ul style="list-style-type: none"> ● RODAMIENTO 628-2RS
BE13025GG-CLJ-1 (u. 2) |
| 10 | <ul style="list-style-type: none"> ● TORNILLO DIN 912 Allen M8x45 Cal.8.8 Z/BLANCO
0/000.460.0382 (u. 1) |
| 11 | <ul style="list-style-type: none"> ● TUERCA DIN 6926 M8 Cal.8 Z/BLANCO
0/000.340.0180 (u. 1) |
| 12 | <ul style="list-style-type: none"> ● MUELLE PEDAL FRENO 2014
0/000.470.9100 (u. 1) |
| 13 | <ul style="list-style-type: none"> ● CTO.TIRANTE CULATA ENDURO 250 300 2018
BE11100CT-CLJ-1 (u. 1) |
| 14 | <ul style="list-style-type: none"> ● GOMA PROT.DEP.GASOL.ENDURO 2018
0/000.220.9116 (u. 1) |
| 15 | <ul style="list-style-type: none"> ● TORNILLO MOTOR M10x113 GEOMET 10.9
0/000.460.9132 (u. 2) |

16	<ul style="list-style-type: none"> TUERCA AUTOB.M10 PASO 1.25 ZINC 8 0/000.340.9123 (u. 2) 	
17	<ul style="list-style-type: none"> TORN.ESP. DIN 6921 Hex.10 M8x50 Fil.20 Cal.10.9 GE 0/000.460.9141 (u. 1) 	
19	<ul style="list-style-type: none"> ARANDELA PLANA DIN 125/A M8 Z/BLANCO 0/000.440.0160 (u. 4) 	
	<ul style="list-style-type: none"> TUERCA DIN 6927 M8 Cal.8 Z/BLANCO 0/000.340.0188 (u. 4) 	
20	<ul style="list-style-type: none"> TORN.ESP. DIN 6921 Hex.10 M8x20 Cal.10.9 GEOMET 0/000.460.9136 (u. 4) 	
	<ul style="list-style-type: none"> PROT.CARTER ENDURO 2018 CON TORNILLERIA 0/R00.220.9100 (u. 1) 	
22	<ul style="list-style-type: none"> KIT PROTECTORES LATERALES CHASIS MR NEGROS 0/K00.220.9103 (u. 1) 	
23	<ul style="list-style-type: none"> TORN.ESP. DIN 6921 Hex.8 M6x35 Cal.10.9 GEOMET 0/000.460.9124 (u. 1) 	
24	<ul style="list-style-type: none"> SILENTBLOCK+ARANDELA DEP.GASOL. 0/000.360.9106 (u. 2) 	
25	<ul style="list-style-type: none"> TORN.ESP. DIN 6921 Hex.8 M6x14 Cal.10.9 GEOMET 0/000.460.9118 (u. 2) 	
26	<ul style="list-style-type: none"> KIT ESTRIBERAS MR RACING / MR RANGER 0/K00.740.9101 (u. 1) 	
27	<ul style="list-style-type: none"> MUELLE ESTRIBO DCH. 0/000.470.9101 (u. 1) 	OBSOLETA
28	<ul style="list-style-type: none"> MUELLE ESTRIBERA PILOTO RH&LH 0/000.470.9113 (u. 1) 	
	<ul style="list-style-type: none"> MUELLE ESTRIBO IZQ. 0/000.470.9102 (u. 1) 	
29	<ul style="list-style-type: none"> CASQUILLO PASADOR ESTRIBOS 0/000.480.9101 (u. 2) 	
30	<ul style="list-style-type: none"> ARANDELA PLANA 10x20x2 DIN 125A ZINC 0/000.440.9115 (u. 2) 	OBSOLETA
31	<ul style="list-style-type: none"> PASADOR CLAVIJA DIN 94 0/000.840.9100 (u. 2) 	
32	<ul style="list-style-type: none"> CJTO. CABALLETE MR RANGER COMPLETO 0/K00.210.9101 (u. 1) 	
33	<ul style="list-style-type: none"> BASE DEL CABALLETE ENDURO 2018 0/000.570.9100 (u. 1) 	
34	<ul style="list-style-type: none"> TORICA CASQUILLO CABALLETE 15x1,5 0/000.490.9100 (u. 1) 	
35	<ul style="list-style-type: none"> TORICA CASQUILLO CABALLETE 17x1,5 0/000.490.9101 (u. 1) 	
36	<ul style="list-style-type: none"> CASQUILLO CABALLETE COMPETICIÓN 0/000.480.9129 (u. 1) - <i>NO HOMOLOG.</i> 	
	<ul style="list-style-type: none"> CASQ.SUJ.CABALLETE ENDURO 2018 0/000.480.9102 (u. 1) 	
37	<ul style="list-style-type: none"> TORN.ESP. DIN 6921 Hex.10 M8x25 Cal.10.9 GEOMET 0/000.460.9137 (u. 1) 	
	<ul style="list-style-type: none"> TORNILLO ISO 7380 Torx T-40 M8x25 INOX 0/000.460.0081 (u. 1) - <i>NO HOMOLOG.</i> 	
38	<ul style="list-style-type: none"> LLEVA CABALLETE ENDURO 2018 0/000.830.9100 (u. 1) 	

	<ul style="list-style-type: none">● TORNILLO ISO 7380 Torx T-25 con arandela M5x16 INOX 0/000.460.0083 (u. 1)	
39	<ul style="list-style-type: none">● TORNILLO ISO 7380 Torx T-25 con arandela M5x16 INOX 0/000.460.0083 (u. 1)● ULS 5X16 ISO 7380-1 ZINC 12.9 0/000.460.9155 (u. 1)	OBSOLETA
40	<ul style="list-style-type: none">● CASQUILLO LLEVA CABALLETE ENDURO 0/000.480.9103 (u. 1)	
41	<ul style="list-style-type: none">● MUELLE EXTERIOR CABALLETE ENDURO 2018 0/000.470.9103 (u. 1)	
42	<ul style="list-style-type: none">● MUELLE INTERIOR CABALLETE ENDURO 2018 0/000.470.9104 (u. 1)	
43	<ul style="list-style-type: none">● TUERCA AUTOBL.BAJA M-6 DIN 985 ZN CR3 6 0/000.340.9113 (u. 1)	

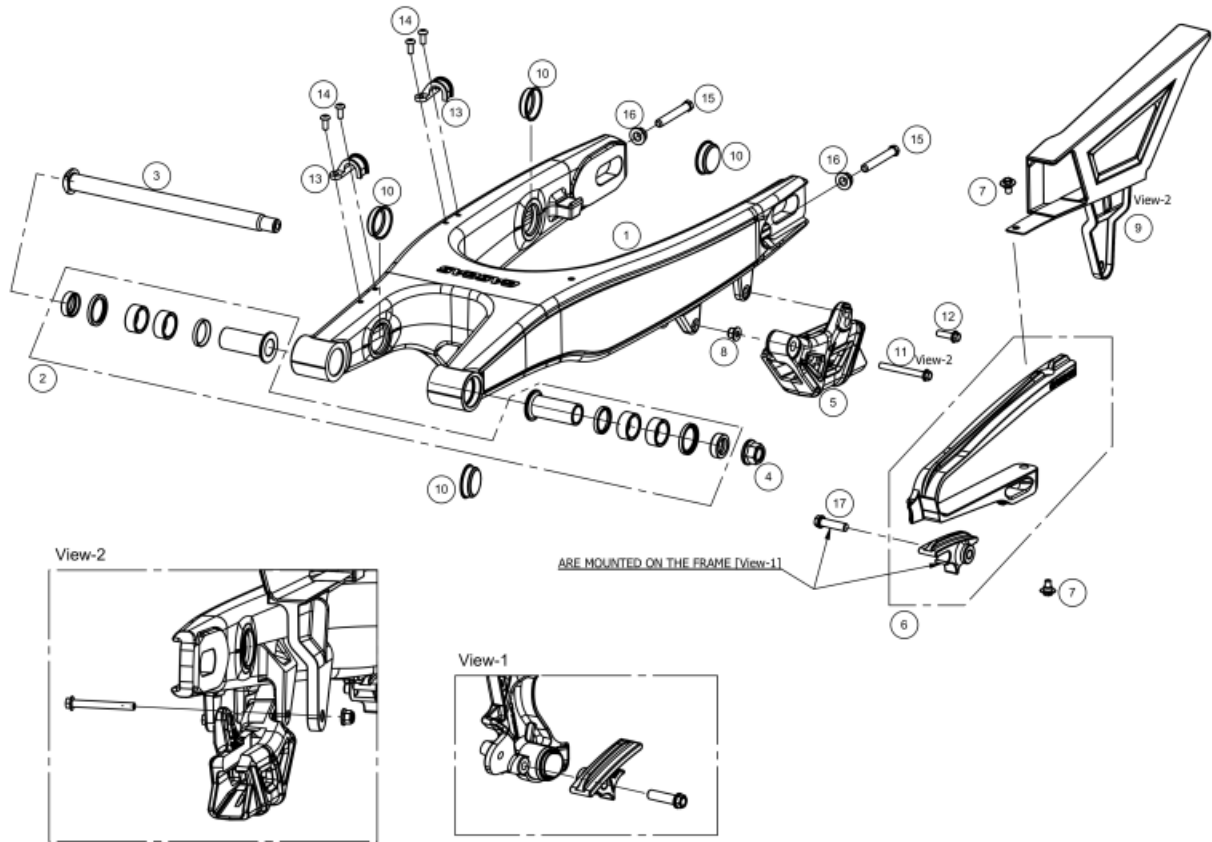
SubChasis



1	<ul style="list-style-type: none"> ● KIT SUBCHASIS MR 2024 0/K00.010.9102 (u. 1)
2	<ul style="list-style-type: none"> ● SOP.BATERIA -CDI-RELE ARRANQUE EC 2018 0/000.570.9101 (u. 1)
3	<ul style="list-style-type: none"> ● TUBERA C.FILTRO.EC 2018 0/000.360.9113 (u. 1)
4	<ul style="list-style-type: none"> ● FILTRO AIRE EC 2018 (OEM158084X) 0/001.070.9100 (u. 1)
5	<ul style="list-style-type: none"> ● ARAÑA FILTRO EC 2018 0/000.570.9104 (u. 1)
6	<ul style="list-style-type: none"> ● VARILLA SOP.FILTRO DE AIRE 0/000.980.9117 (u. 1)
7	<ul style="list-style-type: none"> ● C.FILTRO.ENDURO 2018 0/000.570.9103 (u. 1)
8	<ul style="list-style-type: none"> ● KIT RESTRICTOR FILTRO DE AIRE BE79800CT-CLJ-1 (u. 1)
9	<ul style="list-style-type: none"> ● ARAND.NYLON TOPE MUELLE C.FILTRO.EC-2007 0/000.440.9100 (u. 2)
10	<ul style="list-style-type: none"> ● MUELLE VARILLA C.FILTRO.EC-2007 0/000.470.9105 (u. 1)
11	<ul style="list-style-type: none"> ● GOMA SUJ.CDI 0/000.360.9101 (u. 1)
12	<ul style="list-style-type: none"> ● TORN.ESP. DIN 6921 Hex.10 M8x25 Cal.10.9 GEOMET 0/000.460.9137 (u. 2)
13A	<ul style="list-style-type: none"> ● TORN.ESP.DE PLASTICO NG.M6X12 0/000.460.9109 (u. 1)
13	<ul style="list-style-type: none"> ● CTO.TUBO DESVAPORIZADOR BLOW BY ENDURO 2018 0/000.290.9106 (u. 1)

14	<ul style="list-style-type: none">TORN.ESP. DIN 6921 Hex.10 M8x16 Cal.10.9 GEOMET 0/000.460.9135 (u. 2)
15	<ul style="list-style-type: none">SILENTBLOCK PORTANUMS.IZQ.ENDURO 2018 0/000.360.9109 (u. 4)
16	<ul style="list-style-type: none">ABRAZ.50-70/9 W2 FILTRO AIRE/CARB. INOX FE 0/000.680.9101 (u. 1)
17	<ul style="list-style-type: none">GOMA CABALLETE EC 2015 0/000.360.9100 (u. 2)
18	<ul style="list-style-type: none">PROT.AMORT.EC 2018 0/000.220.9117 (u. 1)
19	<ul style="list-style-type: none">TORN. ESP. ROSCA PLASTICO Hex.6 C/Arandela 6x20 0/000.460.9178 (u. 6)
20	<ul style="list-style-type: none">TORN.ESP. DIN 6921 Hex.8 C/Centrador M6x16 0/000.460.9100 (u. 1)
21	<ul style="list-style-type: none">DESVAP.CARTER D.3=ME25610012 0/000.630.9105 (u. 1)

Basculante

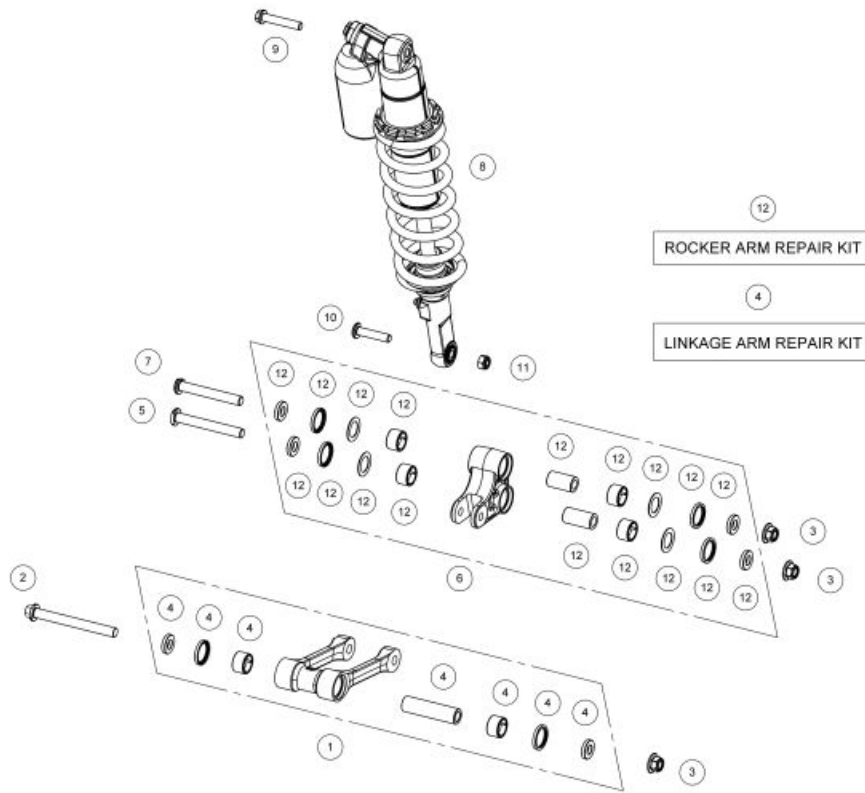


1	<ul style="list-style-type: none"> ● BASCULANTE ENDURO 2018 0/000.020.9100 (u. 1)
2	<ul style="list-style-type: none"> ● KIT REPARACION BASCULANTE BE41000CT-CLJ-1 (u. 1)
3	<ul style="list-style-type: none"> ● EJE BASCULANTE ENDURO 2018 0/000.190.9101 (u. 1)
4	<ul style="list-style-type: none"> ● TUERCA BASC.TT 49650 0/000.340.9103 (u. 1)
5	<ul style="list-style-type: none"> ● GUIA CADENA MR 0/000.710.9100 (u. 1)
6	<ul style="list-style-type: none"> ● KIT PATIN CADENA 3 COMP. BE43015CT-CLJ-1 (u. 1)
7	<ul style="list-style-type: none"> ● TORN.ESP. DIN 6921 Hex.8 C/Centrador M6x7 0/000.460.9161 (u. 2)
8	<ul style="list-style-type: none"> ● TUERCA DIN 6926 M6 Cal.8 Z/BLANCO 0/000.340.0170 (u. 1)
	<ul style="list-style-type: none"> ● TUERCA DIN 6926 M6 Cal.8 Z/BLANCO 0/000.340.0170 (u. 1)
9	<ul style="list-style-type: none"> ● PROT.CADENA HOMOL.EC 2018 0/000.220.9107 (u. 1)
10	<ul style="list-style-type: none"> ● TAP.BASCUL.EC 2018 (465658) 0/000.410.9100 (u. 4)
11	<ul style="list-style-type: none"> ● TORN.ESP. DIN 6921 Hex.8 M6x55 Cal.10.9 GEOMET 0/000.460.9127 (u. 1)
12	<ul style="list-style-type: none"> ● TORN.ESP. DIN 6921 Hex.8 M6x20 Cal.10.9 GEOMET 0/000.460.9120 (u. 1)
	<ul style="list-style-type: none"> ● TORN.ESP. DIN 6921 Hex.8 TX30 M6x20 Cal.10.9 GEOMET 0/000.460.9181 (u. 1)
13	<ul style="list-style-type: none"> ● SUJ.LATIG.SOBRE BASC. 0/000.630.9101 (u. 2)

OBSOLETA

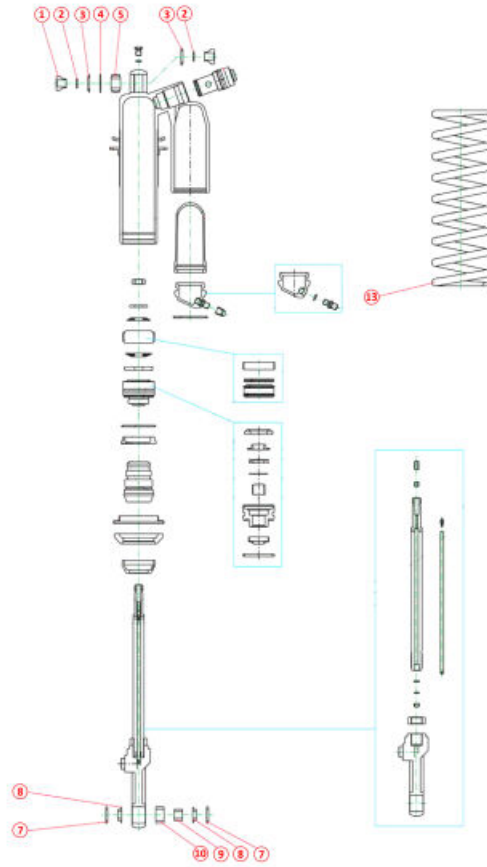
14	<ul style="list-style-type: none">TORN.ESP.+ARAND.5x15 DIN 6921 GEOMET 10.9 0/000.460.9115 (u. 4)
15	<ul style="list-style-type: none">TORN.TENSOR RUEDA FSR450-2007 0/000.460.9105 (u. 2)
16	<ul style="list-style-type: none">TUERCA ESTRIADA M-8 DIN 6923 ACERO 8 0/000.340.9118 (u. 2)
17	<ul style="list-style-type: none">TORN.ESP. DIN 6921 Hex.10 M8x35 Cal.10.9 GEOMET 0/000.460.9139 (u. 1)

Link



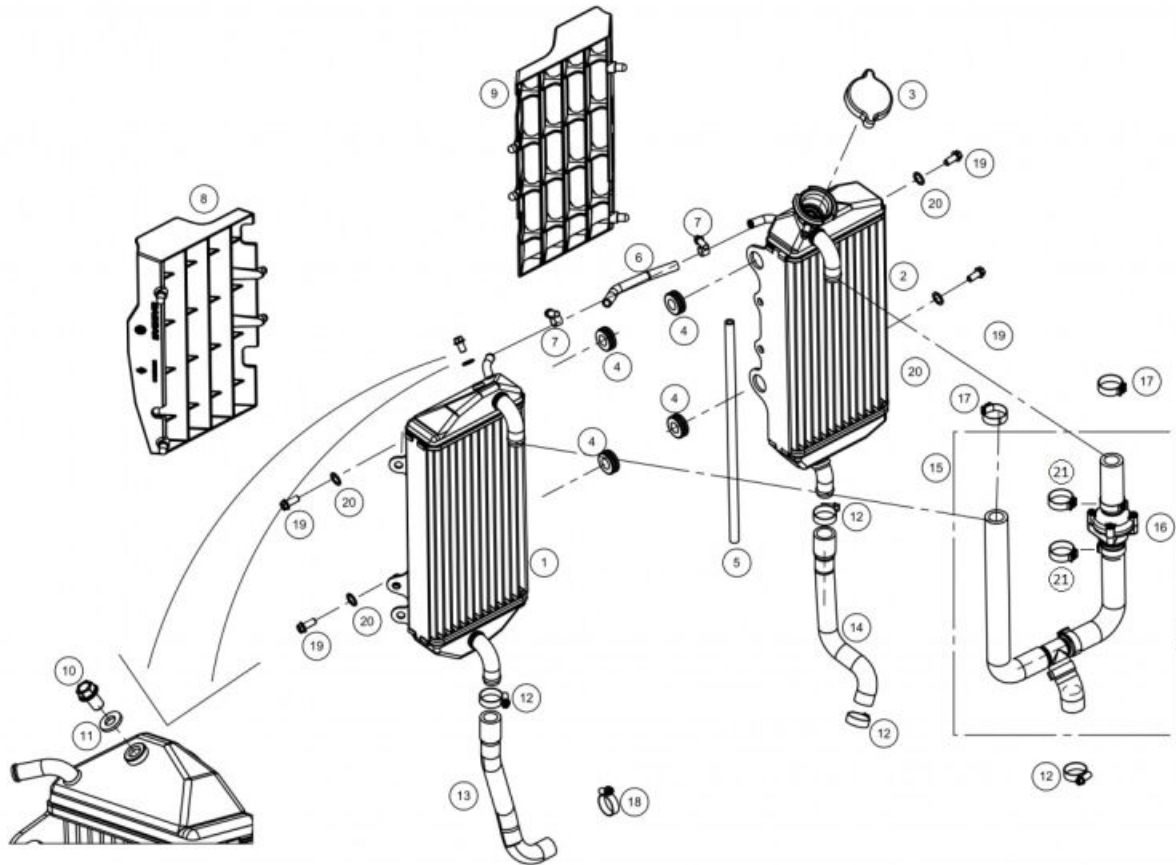
1	<ul style="list-style-type: none"> CTO. BIELETA COMPLETA RANGER DE ALTURA REGULABLE 0/K00.770.9101 (u. 1)
2	<ul style="list-style-type: none"> TORN.EJE BIELETA CHASIS (CM12X1.25X116.2, 12.9) 0/000.460.9102 (u. 1)
3	<ul style="list-style-type: none"> TUERCA M12x1.25 DIN 6927 ZINC 0/000.340.9115 (u. 3)
5	<ul style="list-style-type: none"> TORNILLO EJE BIELETA BALANCIN 12x95.5 12.9 ISO 898-1 0/000.460.9103 (u. 1)
6	<ul style="list-style-type: none"> CTO. BALANCIN ENDURO 2018 BE32000CT-CLJ-1 (u. 1)
7	<ul style="list-style-type: none"> TORN.EJE BALANCIN BASCUL.22X92.5 0/000.460.9104 (u. 1)
8	<ul style="list-style-type: none"> AMORTIGUADOR KYB ECRANGER 0/000.180.9101 (u. 1)
9	<ul style="list-style-type: none"> PERNO 10X60 ISO 898-1 GEOMET 10.9 0/000.460.9131 (u. 1)
10	<ul style="list-style-type: none"> TORN.EJE INF.AMORT.20X48.5 0/000.460.9107 (u. 1)
11	<ul style="list-style-type: none"> TUERCA AUTOBLOC.M10X125 DIN 985 ZINC 8 0/000.340.9110 (u. 1)
12	<ul style="list-style-type: none"> KIT REPARACION BALANCIN EC 2018 BE34035CT-CLJ-1 (u. 1)

Amortiguador



1	<ul style="list-style-type: none"> CASQUILLO ROTULA SUPERIOR SUSPENSION KAYABA ENDURO BE20210GG-CLJ-1 (u. 1)
2	<ul style="list-style-type: none"> TORICA ROTULA SUSPENSION KAYABA ENDURO BE30025GG-CLJ-1 (u. 3)
3	<ul style="list-style-type: none"> RETEN ROTULA SUPERIOR SUSPENSION KAYABA ENDURO BE23295GG-CLJ-1 (u. 3)
4	<ul style="list-style-type: none"> ARANDELA ROTULA SUPERIOR SUSPENSION KAYABA ENDURO BE232990GG-CLJ-1 (u. 1)
5	<ul style="list-style-type: none"> ROTULA SUPERIOR AMORTIGUADOR KAYABA ENDURO BE23250GG-CLJ-1 (u. 1)
7	<ul style="list-style-type: none"> GUARDAPOLVO ROTULA INF. SUSP. KAYABA ENDURO BE23280GG-CLJ-1 (u. 2)
8	<ul style="list-style-type: none"> CASQUILLO ROTULA INFERIOR SUSPENSION KAYABA ENDURO BE23285GG-CLJ-1 (u. 2)
9	<ul style="list-style-type: none"> COJINETE AGUJA INFERIOR SUSPENSION KAYABA ENDURO BE36060GG-CLJ-1 (u. 1)
10	<ul style="list-style-type: none"> CASQUILLO INF. SUSP. KAYABA ENDURO BE23300GG-CLJ-1 (u. 1)
13	<ul style="list-style-type: none"> MUELLE AMORTIGUADOR 46 mm 52n SUSPENSION KAYABA ENDURO BE30011GG-CLJ-1 (u. 1)
	<ul style="list-style-type: none"> MUELLE AMORTIGUADOR 46 mm 50n SUSPENSION KAYABA ENDURO BE30010GG-CLJ-1 (u. 1)
	<ul style="list-style-type: none"> MUELLE AMORTIGUADOR 46 mm 54n SUSPENSION KAYABA ENDURO BE30012GG-CLJ-1 (u. 1)

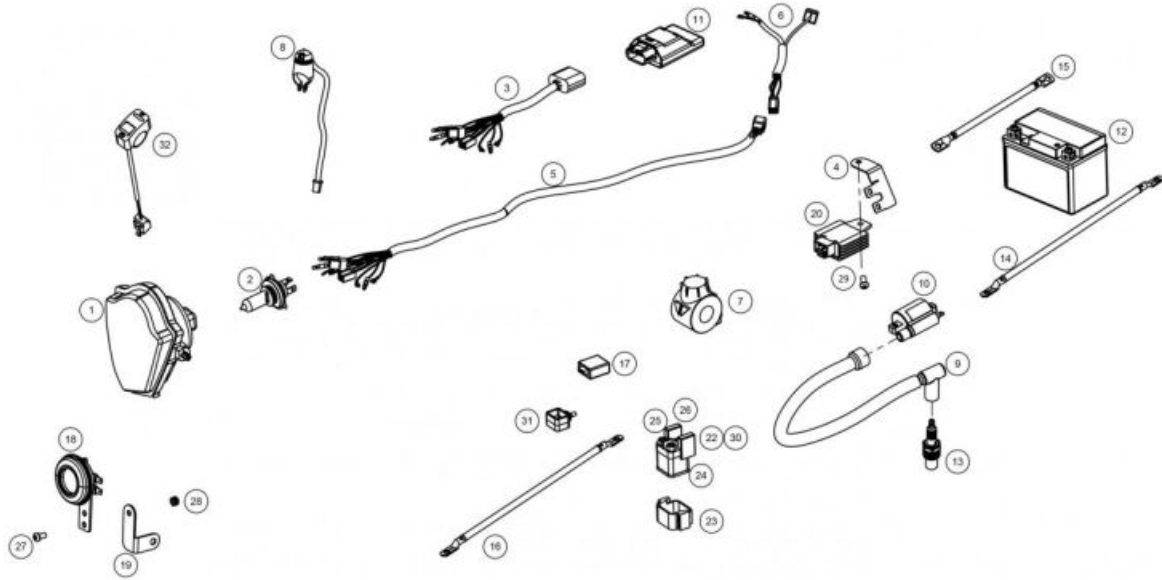
Radiador



1	<ul style="list-style-type: none"> RADIADOR IZQUIERDO ENDURO 2019 0/000.580.9103 (u. 1)
2	<ul style="list-style-type: none"> RADIADOR DERECHO + 2U SILENBLOCK 2019 0/000.580.9102 (u. 1)
3	<ul style="list-style-type: none"> TAPON RADIADOR MR FLOREADO 1.8 REBAJADO 0/000.410.9112 (u. 1)
4	<ul style="list-style-type: none"> GOMA TOPE RAD.49100025 BIE500132031 (u. 4)
5	<ul style="list-style-type: none"> TUBO SOBRANTE RAD.5X8 - 39cm.- TT-96 0/000.290.9117 (u. 1)
6	<ul style="list-style-type: none"> TUBO UNION RADIADORES MR 0/000.290.9103 (u. 1)
7	<ul style="list-style-type: none"> ABRAZ.TORRO SIN FIN 10-16 (10107270010) INOX FE 0/000.680.9108 (u. 2)
8	<ul style="list-style-type: none"> REJILLA RADIADOR IZQUIERDA ENDURO 2018 0/000.220.9113 (u. 1)
9	<ul style="list-style-type: none"> REJILLA RADIADOR DERECHA ENDURO 2018 0/000.220.9112 (u. 1)
10	<ul style="list-style-type: none"> TORN.ESP. DIN 6921 Hex.8 M6x10 Cal.10.9 GEOMET 0/000.460.9133 (u. 1)
11	<ul style="list-style-type: none"> ARANDELA COBRE 6X10X1.5 TORN.VAC.AGUA CI 0/000.440.9122 (u. 1)
12	<ul style="list-style-type: none"> ABRAZ.TORRO SIN FIN 16-27 (10107270027) INOX FE 0/000.680.9107 (u. 4)
13	<ul style="list-style-type: none"> TUBO RADIADOR IZQUIERDO A CÁRTER IZQUIERDO EC 2018 0/000.290.9105 (u. 1)
14	<ul style="list-style-type: none"> TUBO RAD.INF.DCH.EC 300 2014 0/000.290.9104 (u. 1)

15	<ul style="list-style-type: none"> CTO.TUBOS RADIADORES-TERMOSTATO EC 2018 0/000.290.9118 (u. 1) 	
16	<ul style="list-style-type: none"> TERMOSTATO RADIADOR 0/001.010.9103 (u. 1) 	
	<ul style="list-style-type: none"> CUERPO TERMOSTATO SM BE250432070 (u. 1) 	OBSOLETA
17	<ul style="list-style-type: none"> ABRAZ.COBRA D.21 INOX A2 0/000.680.9105 (u. 2) 	OBSOLETA
	<ul style="list-style-type: none"> ABRAZADERA COBRA 21 W4 0/000.680.3009 (u. 2) 	
18	<ul style="list-style-type: none"> ABRAZ.COBRA-19 INOX A2 0/000.680.9104 (u. 1) 	
19	<ul style="list-style-type: none"> TORN.ESP. DIN 6921 Hex.8 M6x14 Cal.10.9 GEOMET 0/000.460.9118 (u. 4) 	
20	<ul style="list-style-type: none"> ARANDELA 6X20X2 0/000.440.9112 (u. 4) 	
21	<ul style="list-style-type: none"> ABRAZARERA COBRA Ø26/8 W4 0/000.680.0567 (u. 2) 	

Parte Eléctrica

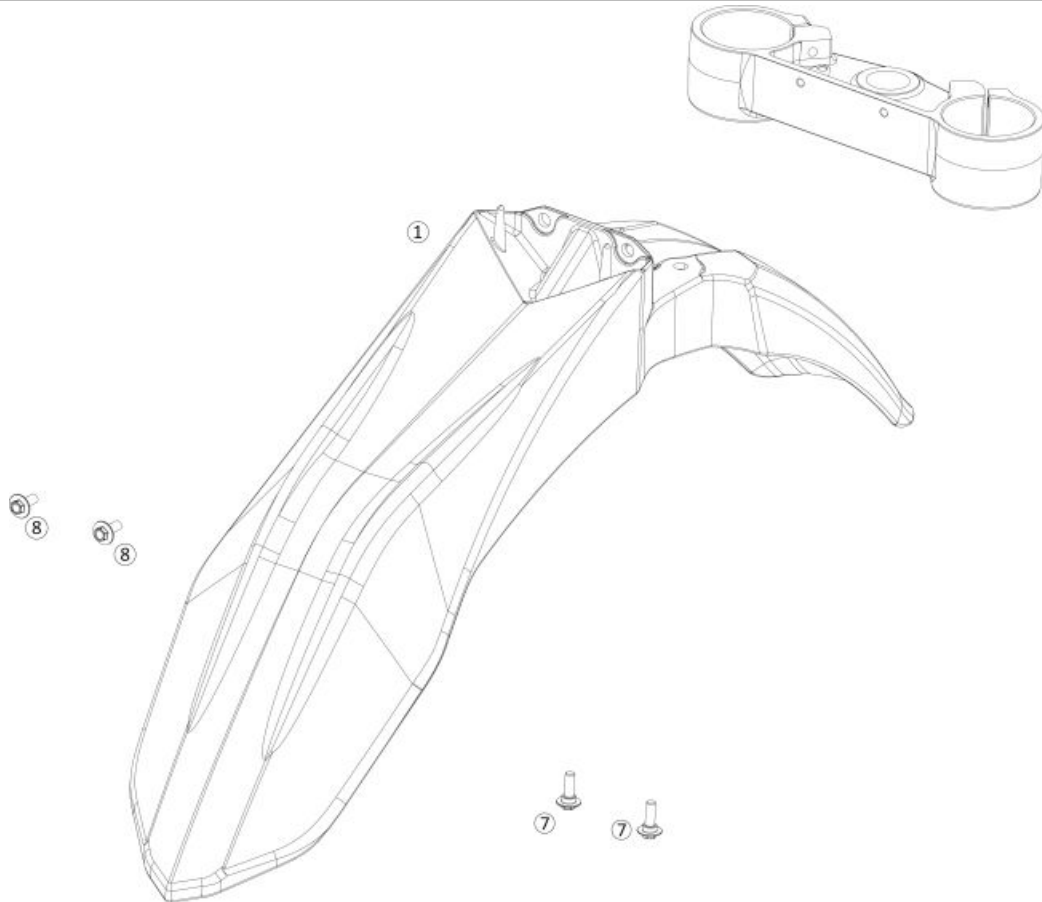


1	<ul style="list-style-type: none"> ● OPTICA FARO COMPLETA C/LUZ POBLAC. PT-107 0/000.600.0270 (u. 1)
2	<ul style="list-style-type: none"> ● BOMBILLA HALOGENA 35/35 12V.HS1 L300125 (u. 1)
3	<ul style="list-style-type: none"> ● INSTALACION ELECTRICA PRINCIPAL ENDURO 2018 0/000.160.9100 (u. 1)
4	<ul style="list-style-type: none"> ● SOP.SUJ.CONECTORES ENCENDIDO ENDURO 2018 0/000.980.9110 (u. 1)
5	<ul style="list-style-type: none"> ● INSTALACION ELECTRICA PRINCIPAL ELECTROVENTILADOR MR 0/000.160.9112 (u. 1)
6	<ul style="list-style-type: none"> ● INST.LUZ MATRICULA ENDURO 2018 0/000.160.9103 (u. 1)
7	<ul style="list-style-type: none"> ● CONMUTADOR CON ARRANQUE ENDURO 2018 0/000.720.9101 (u. 1)
8	<ul style="list-style-type: none"> ● BOTON DE PARO TRIAL 2015 0/000.720.9102 (u. 1)
9	<ul style="list-style-type: none"> ● PIPA BUJIA LB05EMH=BT27934000 0/005.110.9100 (u. 1)
10	<ul style="list-style-type: none"> ● BOB.DE ALTA JT TXT 2013 0/005.070.9100 (u. 1)
11	<ul style="list-style-type: none"> ● CTO.CDI PROGRAMADO ECRANGER 300 EE51100CT-CTR-1 (u. 1)
12	<ul style="list-style-type: none"> ● BATERIA BS LITHIUM - BSLI-02 0/000.900.9103 (u. 1)
	<ul style="list-style-type: none"> ● BATERIA BS LITHIUM - BSLI-02 0/000.900.9103 (u. 1) ● BATERIA LITIO 4.0 Ah, HJTZ7S-FPZ 0/000.900.9100 (u. 1)
13	<ul style="list-style-type: none"> ● BUJIA W24ESRU/BR8ES 0/005.110.9101 (u. 1)
14	<ul style="list-style-type: none"> ● CABLE POSITIVO BATERIA EC 2019 0/000.160.9105 (u. 1)
15	<ul style="list-style-type: none"> ● CABLE NEGATIVO BATERIA 0/000.160.9104 (u. 1)
16	<ul style="list-style-type: none"> ● CABLE RELE A MOTOR ARRANQUE 2019 0/000.160.9107 (u. 1)

OBSOLETA

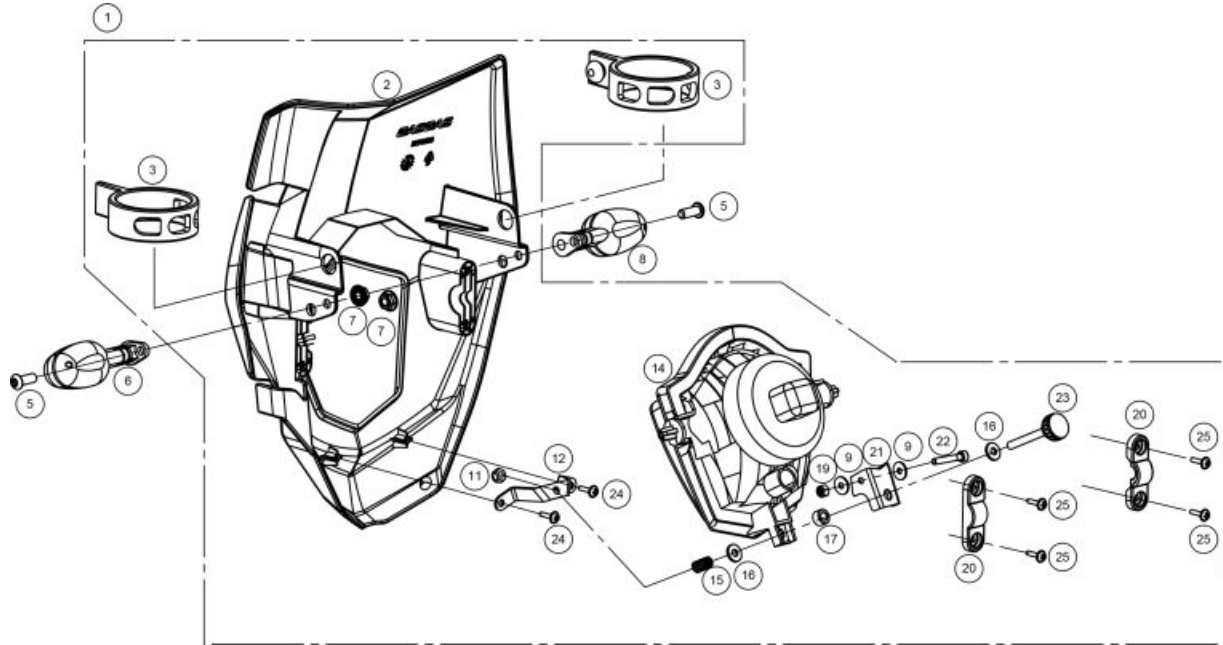
17	<ul style="list-style-type: none"> ● MODULO DIODES SHOTKY 0/001.200.9100 (u. 1)
18	<ul style="list-style-type: none"> ● CLAXON CLASE II TIPO DL128J-12V 0/000.420.5011 (u. 1)
19	<ul style="list-style-type: none"> ● SOPORTE CLAXON ENDURO 2018 ZINCADO 0/000.980.9107 (u. 1)
20	<ul style="list-style-type: none"> ● REGUL.(31600-XRU-0000) 0/005.070.9101 (u. 1)
22	<ul style="list-style-type: none"> ● RELE ARRANQUE (RC19-005ª) 0/001.200.9101 (u. 1)
	<ul style="list-style-type: none"> ● RELE ARRANQUE (RC19-005ª) 0/001.200.9101 (u. 1)
	<ul style="list-style-type: none"> ● RELE ARRANQUE (RC19-005ª)STARTER RELA 00020 A7343-888-00-000 0/001.200.9103 (u. 1)
23	<ul style="list-style-type: none"> ● GOMA SOP.RELE ARRANQUE FIJ.VERTICAL EE85205GG-CAK-1 (u. 1)
24	<ul style="list-style-type: none"> ● TAPA PROT.FUSIBLE (B4694-730-00-001) EE851052511 (u. 2)
25	<ul style="list-style-type: none"> ● ARANDELA DENTADA DIN 6798/J M6 Cal.A2 INOX 0/000.440.0240 (u. 2)
26	<ul style="list-style-type: none"> ● TORN.ESP. DIN 6921 Hex.8 M6x10 Cal.10.9 GEOMET 0/000.460.9133 (u. 2)
27	<ul style="list-style-type: none"> ● TORN.ESP.6X12+ARANDELA Y FIJADOR ISO 7380-2 INOX A2 0/000.460.9108 (u. 1)
28	<ul style="list-style-type: none"> ● TUERCA NUT 956 RAPIDA M-6 HRc 40/48 0/000.340.9120 (u. 1)
29	<ul style="list-style-type: none"> ● TORN.ESP. DIN 6921 Hex.8 M6x14 Cal.10.9 GEOMET 0/000.460.9118 (u. 1)
30	<ul style="list-style-type: none"> ● FUSIBLE UNIVERSAL 20A 0/000.910.9100 (u. 2)
31	<ul style="list-style-type: none"> ● GOMA SOPORTE MODULO DIODES 0/000.360.9111 (u. 1)

OBSOLETA

Guardabarros delantero

- | | |
|---|---|
| 1 | ● GUARDABARROS DELANTERO.EC 2018 BLANCO
0/000.050.9101 (u. 1) |
| 7 | ● TORN.ESP. DIN 6921 Hex.8 C/Centrador M6x16
0/000.460.9100 (u. 2) |
| 8 | ● TORN.ESP. DIN 6921 Hex.8 C/Centrador M6x7
0/000.460.9161 (u. 2) |

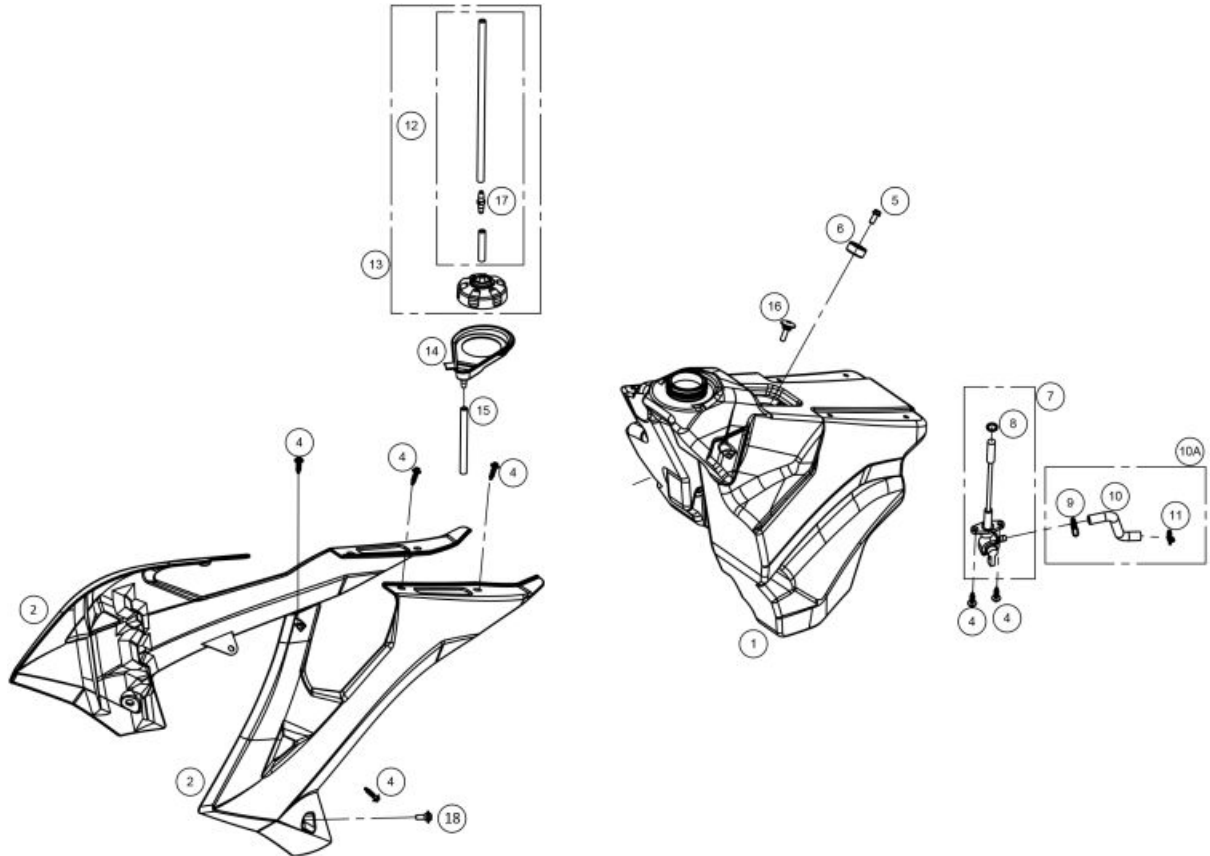
Faro Delantero



- | | |
|----|---|
| 1 | <ul style="list-style-type: none"> KIT FARO COMPLETO MR BLANCO
0/K00.620.9100 (u. 1) |
| 2 | <ul style="list-style-type: none"> PORTAFARO DEL.EC 2018 BL.
0/000.620.9100 (u. 1) |
| 3 | <ul style="list-style-type: none"> GOMA SUJETA FARO D.38 PP HP2070291G
0/000.360.9102 (u. 2) |
| 5 | <ul style="list-style-type: none"> ULS 6x16 ISO 7380-1 NEGRO 12.9
0/000.460.9156 (u. 2) |
| 6 | <ul style="list-style-type: none"> INTERMITENTE IZQ.DEL.2005
0/000.150.9101 (u. 1) |
| 7 | <ul style="list-style-type: none"> TUERCA+ARAN.M-6 ESTR. DIN 6923 ZINC 8
0/000.340.9116 (u. 2) |
| 8 | <ul style="list-style-type: none"> INTERMITENTE DCH.O.DEL.2005
0/000.150.9100 (u. 1) |
| 9 | <ul style="list-style-type: none"> ARANDELA PLANA 4X12X1 DIN 9021 ZN AG CR3
0/000.440.9119 (u. 2) |
| 11 | <ul style="list-style-type: none"> TUERCA AUTOBL. M-5 BAJA DIN-985 ZINC 8
0/000.340.9112 (u. 1) |
| 12 | <ul style="list-style-type: none"> CHAPA REGUL.FARO
0/000.980.9103 (u. 1) |
| 13 | <ul style="list-style-type: none"> TORNILLO PLASTICO 4X10 ZN BLUE
0/000.460.9159 (u. 2) |
| 14 | <ul style="list-style-type: none"> OPTICA FARO COMPLETA S/LUZ POBLAC. PT-107
0/000.600.0260 (u. 1) |
| 15 | <ul style="list-style-type: none"> MUELLE TORN.REG.OPTICA
0/000.470.9107 (u. 1) |
| 16 | <ul style="list-style-type: none"> ARANDELA 5X12X1.5 DIN 125A ZINC
0/000.440.9121 (u. 2) |
| 17 | <ul style="list-style-type: none"> CASQ.ALUMINIO ø5.5X10X6
0/000.480.9128 (u. 1) |
| 19 | <ul style="list-style-type: none"> TUERCA AUTOBL.M-4 DIN 985 ZINC 8
0/000.340.9111 (u. 1) |

20	<ul style="list-style-type: none">● SOPORTE PORTAFARO MR NEGRO INY. 0/000.980.9127 (u. 2)	
	<ul style="list-style-type: none">● SOPORTE FARO MR BLANCO INY 0/000.980.9104 (u. 2)	OBSOLETA
21	<ul style="list-style-type: none">● REFUERZO LENGUETA FARO EC 2012 0/000.980.9106 (u. 1)	
22	<ul style="list-style-type: none">● ALLEN 4X25 DIN 912 ZINC 0/000.460.9144 (u. 1)	
23	<ul style="list-style-type: none">● TORN.REGUL.FARO ELESA B.193/18 P M5X40 0/000.460.9106 (u. 1)	
24	<ul style="list-style-type: none">● TORNILLO PLASTICO 4X10 ZN BLUE 0/000.460.9159 (u. 2)	
25	<ul style="list-style-type: none">● TORN.ESP.PLASTICO 4X12 CELO RF87T VERZINKT 0/000.460.9160 (u. 4)	

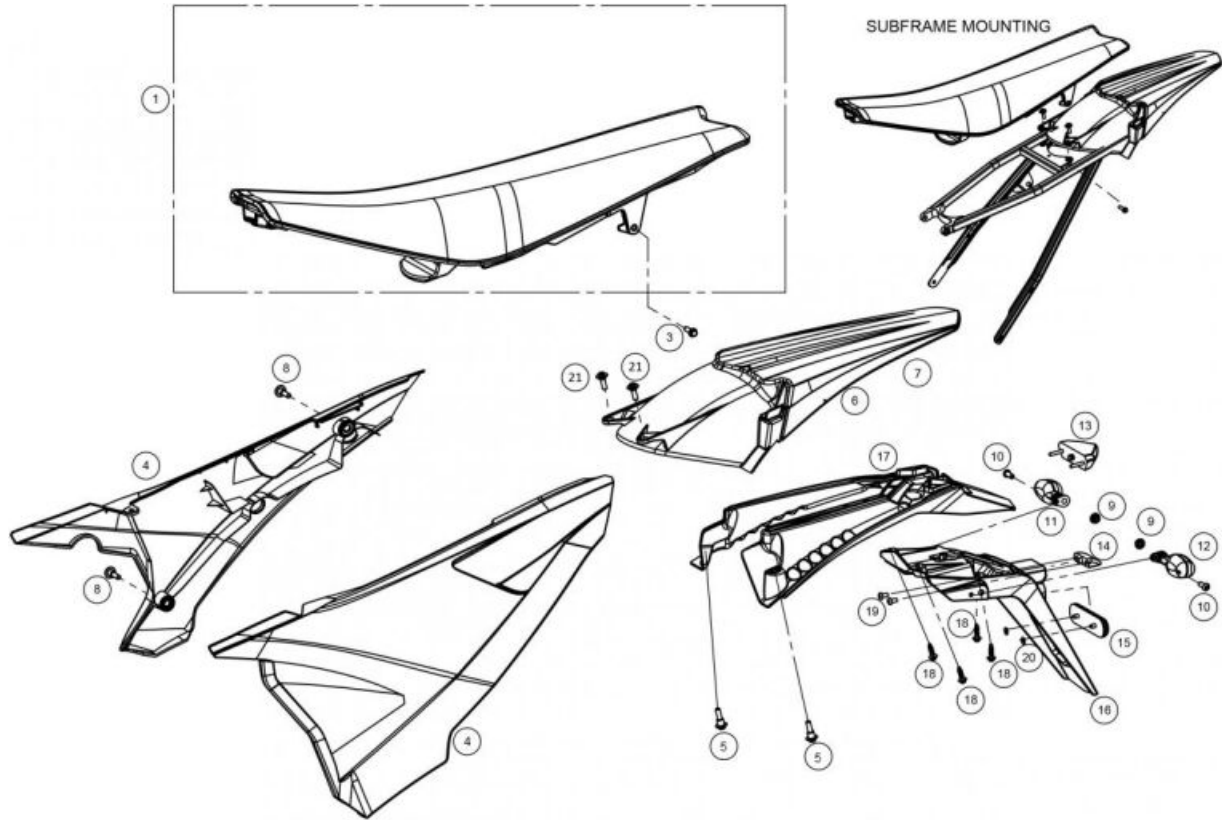
Depósito



- | | |
|----|---|
| 1 | <ul style="list-style-type: none"> ● DEPOSITO COMBUSTIBLE EUROPA (XPE) ENDURO 2018 0/000.030.9100 (u. 1) |
| 2 | <ul style="list-style-type: none"> ● KIT PLACAS PROTECCION RADIADOR BLANCAS MR 0/K00.570.9107 (u. 1) |
| 4 | <ul style="list-style-type: none"> ● TORN. ESP. ROSCA PLASTICO Hex.6 C/Arandela 6x20 0/000.460.9178 (u. 10) |
| 5 | <ul style="list-style-type: none"> ● TORN.ESP. DIN 6921 Hex.8 M6x14 Cal.10.9 GEOMET 0/000.460.9118 (u. 1) |
| 6 | <ul style="list-style-type: none"> ● SILENTBLOCK+ARANDELA Y REGATA DEP.GASOLIN 0/000.360.9105 (u. 1) |
| 7 | <ul style="list-style-type: none"> ● GRIFO GASOLINA ENDURO 2018 0/000.370.9100 (u. 1) |
| 8 | <ul style="list-style-type: none"> ● TORICA GRIFO GASOLINA 10X2.5 B740120 (u. 1) |
| 9 | <ul style="list-style-type: none"> ● ABRAZ.MOLLA M-11.6-12.3 ZINC CR3 0/000.680.9102 (u. 1) |
| 10 | <ul style="list-style-type: none"> ● TUBO GASOLINA ENDURO 2018 DE HOMOLOGACION 0/000.290.9109 (u. 1) |
| 11 | <ul style="list-style-type: none"> ● ABRAZ.MOLLA M-12X1.5 ACERO ZN 0/000.680.9103 (u. 1) |
| 12 | <ul style="list-style-type: none"> ● CTO.TUBO DESVAP.GASOLINA 26cm 0/000.290.9115 (u. 1) |
| 13 | <ul style="list-style-type: none"> ● CTO.TAP.GASOLINA+TUBO EC 2014 BE76010CT-CAB-1 (u. 1) |
| 14 | <ul style="list-style-type: none"> ● REBOSADERO DEP.GASOL. 0/000.570.9102 (u. 1) |
| 15 | <ul style="list-style-type: none"> ● TUBO REBOSADERO DEP.DE GASOLINA ENDURO 0/000.290.9107 (u. 1) |

16	• TORNILLO DEPOSITO - SILLIN Ø6x23 0/000.460.9177 (u. 1)
17	• VALV.DESVAPO.DEP. BT27836025 (u. 1)
18	• TORN.ESP. DIN 6921 Hex.8 C/Centrador M6x12 0/000.460.9101 (u. 2)

Plástica Trasera

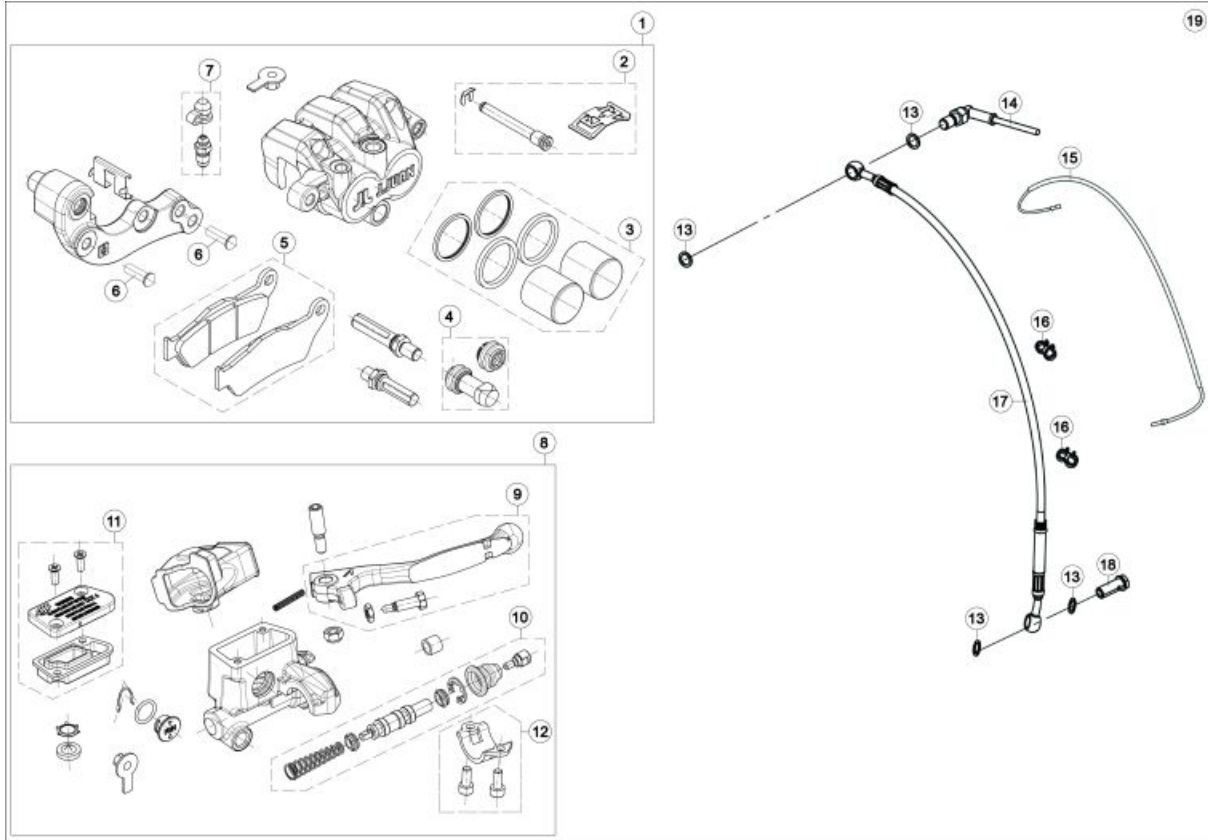


- | | |
|----|--|
| 1 | <ul style="list-style-type: none"> SILLIN MR RANGER 2024
0/000.040.9111 (u. 1) |
| 3 | <ul style="list-style-type: none"> TORN.ESP. DIN 6921 Hex.8 M6x25 Cal.10.9 GEOMET
0/000.460.9121 (u. 1) |
| 4 | <ul style="list-style-type: none"> KIT PLACAS LATERALES PORTANUMEROS BLANCAS MR
0/K00.570.9101 (u. 1) |
| 5 | <ul style="list-style-type: none"> TORN.ESP. DIN 6921 Hex.8 C/Centrador M6x16
0/000.460.9163 (u. 2) |
| 6 | <ul style="list-style-type: none"> CTO.GUARDAB.TRAS.EC 2018 BL.
0/000.060.9100 (u. 1) |
| 8 | <ul style="list-style-type: none"> TORN.ESP. DIN 6921 Hex.8 C/Centrador M6x16
0/000.460.9100 (u. 2) |
| 9 | <ul style="list-style-type: none"> TUERCA+ARAN.M-6 ESTR. DIN 6923 ZINC 8
0/000.340.9116 (u. 2) |
| 10 | <ul style="list-style-type: none"> ULS 6x16 ISO 7380-1 NEGRO 12.9
0/000.460.9156 (u. 2) |
| 11 | <ul style="list-style-type: none"> INTERMITENTE DCH.TRAS.2005
0/000.150.9102 (u. 1) |
| 12 | <ul style="list-style-type: none"> INTERMITENTE IZQ.TRAS.2005
0/000.150.9103 (u. 1) |
| 13 | <ul style="list-style-type: none"> LUZ PILOTO TRASERO LED V.2
0/000.150.9106 (u. 1) |
| | <ul style="list-style-type: none"> LUZ PILOTO TRASERO LED V.2
0/000.150.9106 (u. 1) |
| | <ul style="list-style-type: none"> LUZ PILOTO TRASERO LED V.2
0/000.150.9106 (u. 1) |
| 14 | <ul style="list-style-type: none"> LUZ MATRICULA MR
0/000.150.9104 (u. 1) |
| 15 | <ul style="list-style-type: none"> CATADIOPTRICO 700R ENDURO 2007
0/000.630.9103 (u. 1) |

16	<ul style="list-style-type: none">● PORTA MATRICULAS HOMOLOGADO MRT 2021 0/000.060.5302 (u. 1)
17	<ul style="list-style-type: none">● PORTAMATRICULAS CORTO EC 2018 0/000.060.9101 (u. 1)
18	<ul style="list-style-type: none">● TORN. ESP. ROSCA PLASTICO Hex.6 C/Arandela 6x20 0/000.460.9178 (u. 4)
19	<ul style="list-style-type: none">● ULS TORX CON ARAND.4X08 ISO 7380-2 INOX A2 0/000.460.9158 (u. 2)
20	<ul style="list-style-type: none">● GRAPA 02110396 SRRM-5 CATADRIOPTICO 0/000.440.9102 (u. 2)
21	<ul style="list-style-type: none">● TORN.ESP. DIN 6921 Hex.8 C/Centrador M6x12 0/000.460.9101 (u. 2)

13	<ul style="list-style-type: none"> ESCAPE ECRANGER HOMOLOGADO BE86000GG-CTR-1 (u. 1)
	<ul style="list-style-type: none"> CTO.TUBO ESCAPE EC 2018 HOMOL. 0/000.290.9113 (u. 1)
14	<ul style="list-style-type: none"> ABRAZ.COBRA D.15/8 W4 INOX A2 0/000.680.9106 (u. 3)
15	<ul style="list-style-type: none"> TUBO AIRE SECUNDARIO CORTO EC-2009 0/000.290.9110 (u. 1)
16	<ul style="list-style-type: none"> TUBO AIRE SECUNDARIO LARGO EC-2009 0/000.290.9111 (u. 1)
17	<ul style="list-style-type: none"> FILTRO AIRE SECUNDARIO TRIAL PRO 2006 CE BT280626059 (u. 1)
18	<ul style="list-style-type: none"> VALV.AIRE SECUNDARIO EC-2009 RV-1-037 0/000.640.9100 (u. 1)
19	<ul style="list-style-type: none"> TORN.ESP. DIN 6921 Hex.8 M6x60 Cal.10.9 GEOMET 0/000.460.9128 (u. 1)
20	<ul style="list-style-type: none"> CATALIZADOR EC250-2002 0/001.600.9100 (u. 1)
21	<ul style="list-style-type: none"> CASQ.DIST.PIÑON 0/000.980.9112 (u. 1)

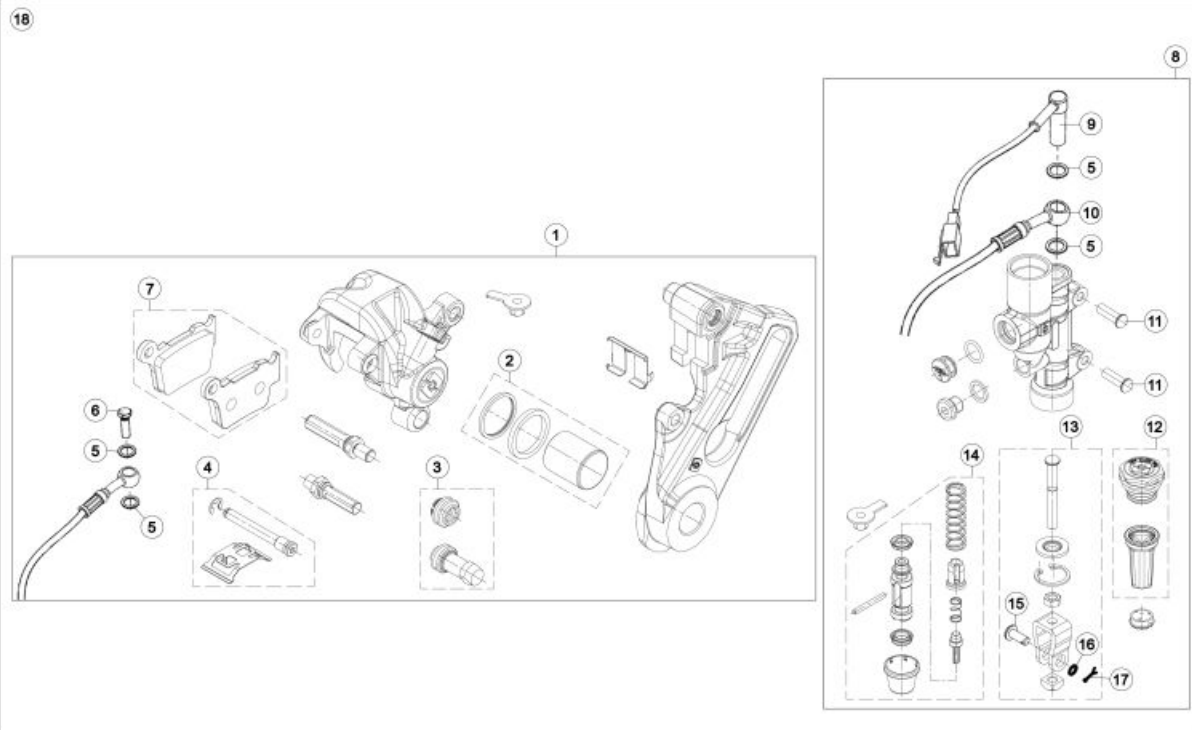
Freno Delantero



1	<ul style="list-style-type: none"> CTO.PINZA FRENO DELANTERO ECRA BE62000GG-CTR-1 (u. 1) 	
2	<ul style="list-style-type: none"> PASADOR PASTILLAS FRENO DEL. EC RANGER BE62020GG-CTR-1 (u. 1) 	
3	<ul style="list-style-type: none"> PISTON PINZA FRENO TRAS.EC-200 BE67560GG-CTR-1 (u. 1) 	
4	<ul style="list-style-type: none"> KIT GUARDAPOLVO PINZA FRENO DEL. ECRANGER BE62030GG-CTR-1 (u. 1) 	OBSOLETA
	<ul style="list-style-type: none"> CTO.GUARDAPOLVO PINZA FRENO ECRANGER BE67580GG-CTR-1 (u. 1) 	
5	<ul style="list-style-type: none"> JUEGO PASTILLAS FRENO DELANTERO ECRANGER BE62500GG-CTR-1 (u. 1) 	
6	<ul style="list-style-type: none"> TORN.ESP. DIN 6921 Hex.10 M8x30 Fil.22 Cal.10.9 GE 0/000.460.9138 (u. 2) 	
7	<ul style="list-style-type: none"> KIT SANGRADOR PINZA FRENO DEL. ECRANGER BE62040GG-CTR-1 (u. 1) 	
8	<ul style="list-style-type: none"> BOMBA FRENO DELANTERO ECRANGER BE61000CT-CTR-1 (u. 1) 	
9	<ul style="list-style-type: none"> MANETA FRENO DEL. ECRANGER BE61300GG-CTR-1 (u. 1) 	
10	<ul style="list-style-type: none"> KIT DE REPARACION BOMBA FRENO DEL. ECRANGER BE61405GG-CTR-1 (u. 1) 	
11	<ul style="list-style-type: none"> KIT REPARACION TAPETA ECRANGER BE61010GG-CTR-1 (u. 1) 	
12	<ul style="list-style-type: none"> SOPORTE BRIDA MANILLAR ECRANGE BE61350GG-CTR-1 (u. 1) 	
13	<ul style="list-style-type: none"> ARANDELA LATIGUILLO 10X14X1 BE25622007 (u. 4) 	
14	<ul style="list-style-type: none"> INTERRUPTOR 23-016/1 STOP BOMBA NISSIN 3 0/000.720.9104 (u. 1) 	

15	●	SENSOR CUENTA KM ENDURO 0/001.010.9100 (u. 1)
16	●	GRAPA SUJ.CABLE CT.KM.2008 0/000.630.9104 (u. 2)
17	●	LATIGUILLO FRENO DELANTERO ECRANGER BE61100GG-CTR-1 (u. 1)
18	●	RACORD SUJ.LATIGUILLO 10X1,25(9257) BC25722006 (u. 1)
19	●	CTO. FRENO DELANTERO ECRANGER 0/000.820.9102 (u. 1)

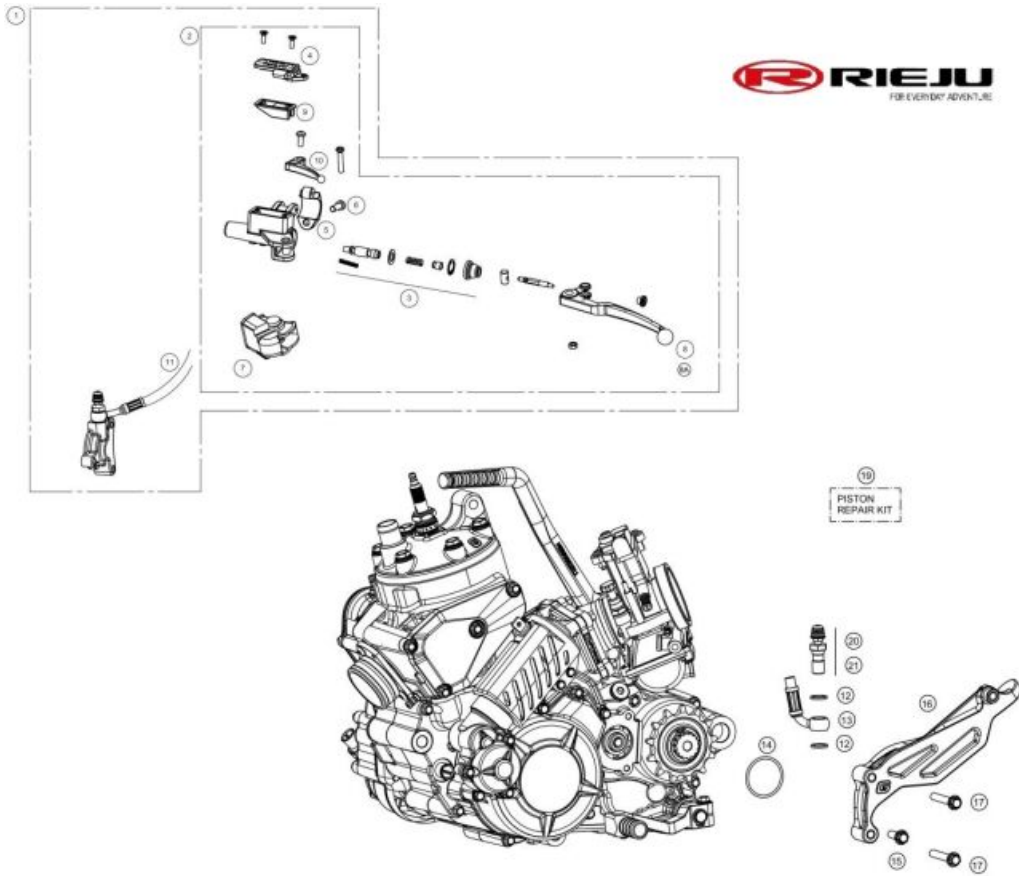
Freno Trasero



1	<ul style="list-style-type: none"> CTO.PINZA FRENO TRAS. ECRANGER BE67000GG-CTR-1 (u. 1)
2	<ul style="list-style-type: none"> KIT REP.PINZA DE FRENO TRAS. E BE67120GG-CTR-1 (u. 1)
3	<ul style="list-style-type: none"> CTO.GUARDAPOLVO PINZA FRENO ECRANGER BE67580GG-CTR-1 (u. 1)
4	<ul style="list-style-type: none"> PASADOR PASTILLAS FRENO TRAS. EC RANGER BE67495GG-CTR-1 (u. 1)
5	<ul style="list-style-type: none"> ARANDELA LATIGUILLO 10X14X1 BE25622007 (u. 4)
6	<ul style="list-style-type: none"> RACORD SUJ.LATIGUILLO 10X1,25(9257) BC25722006 (u. 1)
7	<ul style="list-style-type: none"> JUEGO PASTILLAS FRENO TRASERO EC RANGER BE67500GG-CTR-1 (u. 1)
8	<ul style="list-style-type: none"> BOMBA FRENO TRASERO ECRANGER BE66000CT-CTR-1 (u. 1)
9	<ul style="list-style-type: none"> INTERRUPTOR 23-016/1 STOP BOMBA NISSIN 3 0/000.720.9104 (u. 1)
10	<ul style="list-style-type: none"> LATIGUILLO FRENO TRASERO ECRANGER BE66100GG-CTR-1 (u. 1)
11	<ul style="list-style-type: none"> TORN.ESP. DIN 6921 Hex.8 M6x16 Cal.10.9 GEOMET 0/000.460.9119 (u. 2)
12	<ul style="list-style-type: none"> KIT REP.TAPA BOMBA FREN.TRAS. BE66005GG-CTR-1 (u. 1)
13	<ul style="list-style-type: none"> TIRANTE FRENO TRASERO ECRANGER BE66050GG-CTR-1 (u. 1)
14	<ul style="list-style-type: none"> KIT PISTON BOMBA FRENO TRASERA BE66025GG-CTR-1 (u. 1)
15	<ul style="list-style-type: none"> PASADOR 8X20 PEDAL FRENO 0/000.840.9101 (u. 1)
16	<ul style="list-style-type: none"> ARANDELA PLANA DIN 125/A M8 Z/BLANCO 0/000.440.0160 (u. 1)

17	<ul style="list-style-type: none">• CLAVILLA PASADOR FRENO 2X20 0/000.840.9102 (u. 1)
18	<ul style="list-style-type: none">• CTO. FRENO TRASERO ECRANGER 0/000.820.9103 (u. 1)

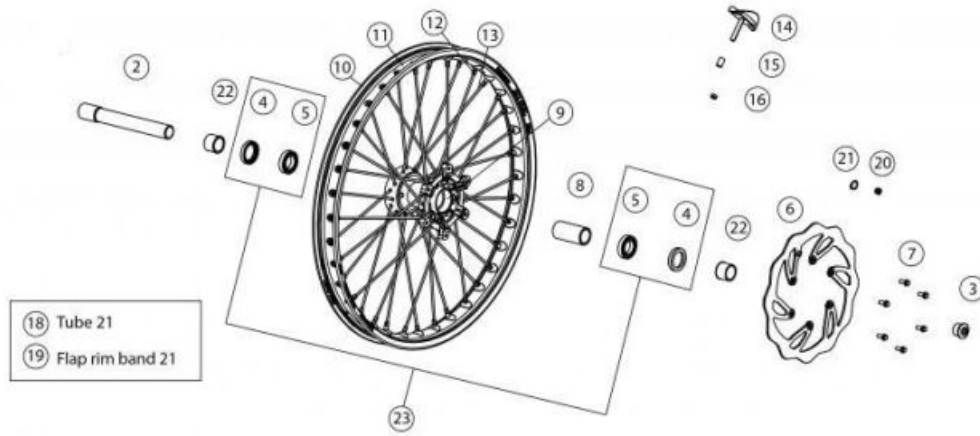
Mando Embrague



1	<ul style="list-style-type: none"> CTO.EMBR.EC MAGURA 9.5 (167) 0/000.830.9101 (u. 1) 	
2	<ul style="list-style-type: none"> BOMBA EMBR.MAGURA 9,5 (167) 2000302 BE45000013011 (u. 1) 	OBSOLETA
3	<ul style="list-style-type: none"> KIT PISTON 9,5 (0723184) BE45000043011 (u. 1) 	
4	<ul style="list-style-type: none"> TAPA BOMBA EMBRAGUE NEGRA 167.2 0/000.350.9119 (u. 1) 	
	<ul style="list-style-type: none"> TAPA ACEITE MINERAL PLATA (0723164) BE45000053011 (u. 1) 	
5	<ul style="list-style-type: none"> BRIDA SUJ.(0723118) BE45000063011 (u. 1) 	
6	<ul style="list-style-type: none"> TORN.ESP. DIN 6921 Hex.8 M6x20 Cal.10.9 GEOMET 0/000.460.9120 (u. 1) 	OBSOLETA
	<ul style="list-style-type: none"> TORN.ESP. DIN 6921 Hex.8 TX30 M6x20 Cal.10.9 GEOMET 0/000.460.9181 (u. 1) 	
7	<ul style="list-style-type: none"> GUARDAPOLVO (0723163) BE45000093011 (u. 1) 	
8A	<ul style="list-style-type: none"> MANETA LARGA EMBR.(0723290) BE45000033011 (u. 1) 	
8	<ul style="list-style-type: none"> MANETA CORTA EMBR.(0723121) BE45000023011 (u. 1) 	
9	<ul style="list-style-type: none"> MEMBRANA DEPOSITO BE45000103011 (u. 1) 	OBSOLETA
	<ul style="list-style-type: none"> TAPA BOMBA EMBRAGUE NEGRA 167.2 0/000.350.9119 (u. 1) 	
10	<ul style="list-style-type: none"> LEVA STARTER (0723189) BE45000073011 (u. 1) 	

11	<ul style="list-style-type: none"> ● LATIGUILLO EMBR.ENDURO (FK003CE021E) BE250522003 (u. 1) 	
12	<ul style="list-style-type: none"> ● ARANDELA LATIGUILLO 10X14X1 BE25622007 (u. 2) 	
13	<ul style="list-style-type: none"> ● LATIGUILLO EMBR.ENDURO (FK003CE021E) BE250522003 (u. 1) 	
14	<ul style="list-style-type: none"> ● TORICA BOMB.EMB.LIQ.32X2 EPDM ME25632024 (u. 1) 	
15	<ul style="list-style-type: none"> ● TORN.ESP. DIN 6921 Hex.8 TX30 M6x20 Cal.10.9 GEOMET 0/000.460.9181 (u. 1) 	
	<ul style="list-style-type: none"> ● TORN.ESP. DIN 6921 Hex.8 M6x20 Cal.10.9 GEOMET 0/000.460.9120 (u. 1) 	OBSOLETA
16	<ul style="list-style-type: none"> ● KIT PATIN CADENA 3 COMP. BE43015CT-CLJ-1 (u. 1) 	
17	<ul style="list-style-type: none"> ● TORN.ESP. DIN 6921 Hex.8 M6x50 Fil.20 Cal.10.9 GEO 0/000.460.9126 (u. 2) 	
18	<ul style="list-style-type: none"> ● BOMBIN EMBRAGUE ME250632026 (u. 1) 	OBSOLETA
19	<ul style="list-style-type: none"> ● BOMBIN EMBRAGUE ME250632026 (u. 1) 	OBSOLETA
20	<ul style="list-style-type: none"> ● TAP.SANGRADOR FD-G006-00 BT27922055 (u. 1) 	
21	<ul style="list-style-type: none"> ● SANGRADOR PINZA EMBR.TT BE25622060 (u. 1) 	

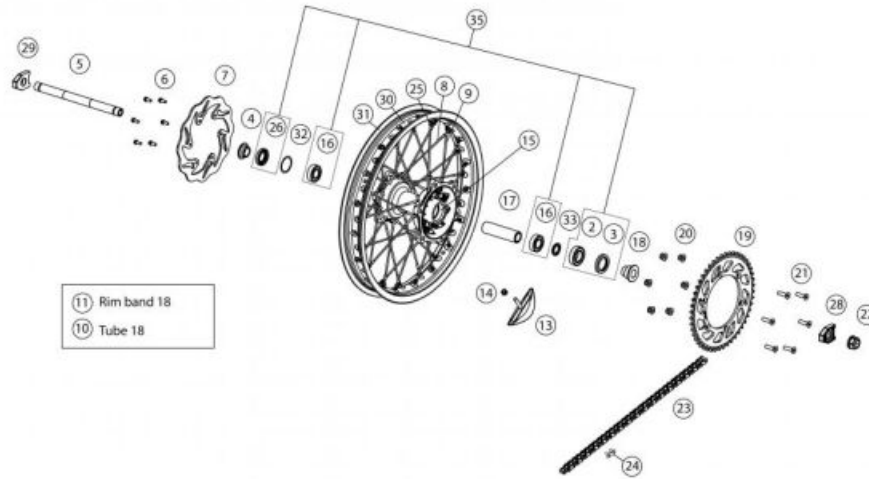
Rueda Delantera



2	<ul style="list-style-type: none"> EJE RUEDA DEL.EC-2011 20.8CM 0/000.190.9102 (u. 1)
3	<ul style="list-style-type: none"> TORNILLO INTERIOR EJE DELANTERO MR2022 0/000.460.9166 (u. 1)
4	<ul style="list-style-type: none"> TUERCA EJE DELANTERO 0/000.340.9100 (u. 1)
5	<ul style="list-style-type: none"> RETEN CUBO DEL.390.99.59-30X42X7 HMSA10 RG BE250418057 (u. 2)
6	<ul style="list-style-type: none"> RODAM.61905 2RS1 ME120136055 (u. 2)
7	<ul style="list-style-type: none"> DISCO FRENO DELANTERO MR 260mm 0/001.090.9107 (u. 1)
8	<ul style="list-style-type: none"> TORN.ESP. DIN 6921 Hex.8 M6x14 C/Tufflock 306 Yello 0/000.460.9142 (u. 6)
9	<ul style="list-style-type: none"> CASQ.SEP.CUBO DEL.390.80.234 BE250418058 (u. 1)
10	<ul style="list-style-type: none"> CUBO RUEDA DEL.EC 2014 BE54110GG-CAB-1 (u. 1)
11	<ul style="list-style-type: none"> LLANTA DELANTERA 21x1,6" ANODIZADA NEGRA 0/000.230.9104 (u. 1)
12	<ul style="list-style-type: none"> RUEDA DEL. 1.6 x 21" MR RANGER 2022 0/000.110.9102 (u. 1)
13	<ul style="list-style-type: none"> TUERCA RADIO DEL. BE542503013 (u. 36)
14	<ul style="list-style-type: none"> RADIO DEL.EC-2013 BE542003013 (u. 36)
15	<ul style="list-style-type: none"> AGARRE DEL.EC-2009 1.6x21 0/000.220.9114 (u. 1)
16	<ul style="list-style-type: none"> CASQ.AGARRE CUBIERTA EC-2010 8X12X12 0/000.480.9112 (u. 1)

16	<ul style="list-style-type: none">● TUERCA AUTOBL.M-8 BAJA DIN 985 ZINC 0/000.340.9114 (u. 1)
18	<ul style="list-style-type: none">● CAMARA DELANTERA 21MDR VALVE TR4 833092 0/000.520.9100 (u. 1)
19	<ul style="list-style-type: none">● PROT.BANDA DEL.FLAP 1.60/1.85 X 21(1400X25) 949947 0/000.220.9108 (u. 1)
20	<ul style="list-style-type: none">● IMAN EC 2010 0/001.010.9101 (u. 1)
21	<ul style="list-style-type: none">● SEGEER A 9 SOP.IMAN EC 2010 DIN 471 INOX 0/000.300.9100 (u. 1)
22	<ul style="list-style-type: none">● CASQUILLO RUEDA DELANTERA 0/000.480.9100 (u. 1)
23	<ul style="list-style-type: none">● KIT COJINETES I RETENES RUEDA DEL. BE51000CT2510 (u. 1)

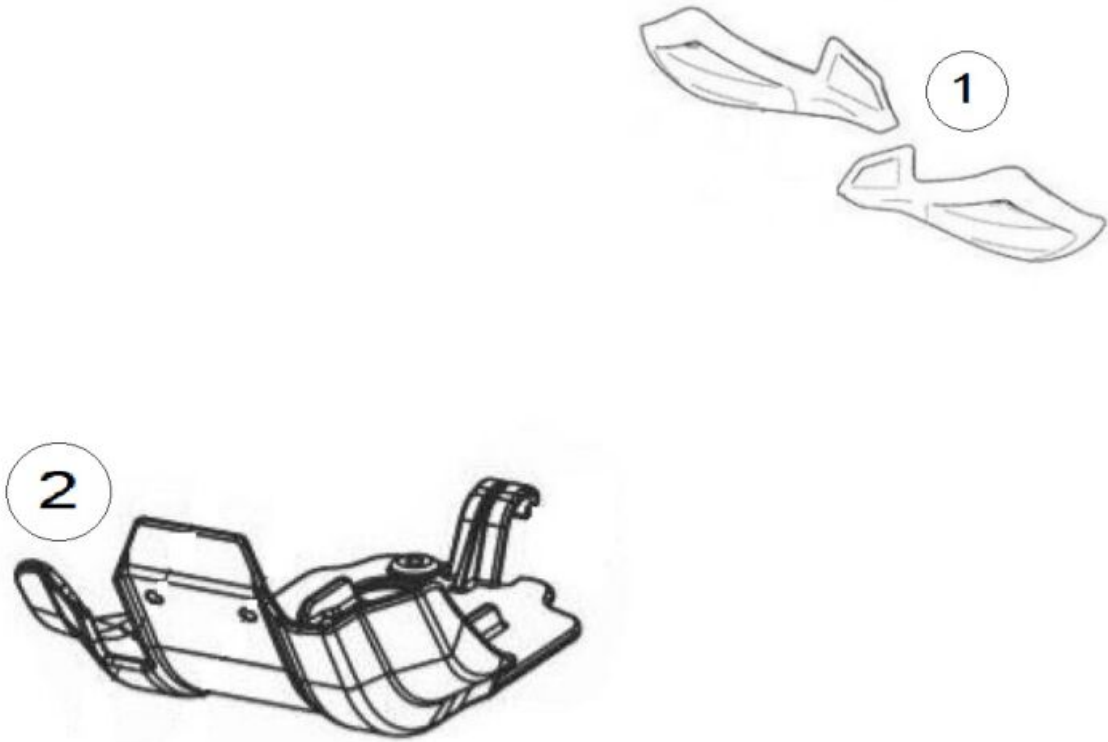
Rueda Trasera



2	<ul style="list-style-type: none"> ● COJINETE RUEDA TRAS.6005-2SRH C3 BE250318054 (u. 1) 	
3	<ul style="list-style-type: none"> ● RETEN RUEDA TT 2003 32X47X7 BE250318055 (u. 1) 	
4	<ul style="list-style-type: none"> ● DIST.RUEDA TRAS.CORTO EC-2000 0/000.480.9104 (u. 1) 	
5	<ul style="list-style-type: none"> ● EJE RUEDA TRAS.EC 2018 0/000.190.9103 (u. 1) 	
6	<ul style="list-style-type: none"> ● TORN.ESP. DIN 6921 Hex.8 M6x14 Cal.10.9 GEOMET 0/000.460.9118 (u. 6) 	
7	<ul style="list-style-type: none"> ● D.FRENO.TRAS.FLOR 1057X EC-2010 0/001.090.9102 (u. 1) 	OBSOLETA
	<ul style="list-style-type: none"> ● DISCO FRENO TRASERO MR 220mm 0/001.090.9108 (u. 1) 	
8	<ul style="list-style-type: none"> ● RADIO 192X4.5 LADO FRENO 18" BE59200GG-CLJ-1 (u. 18) 	
9	<ul style="list-style-type: none"> ● RADIO 188X4.5 LADO CORONA 18" BE59210GG-CLJ-1 (u. 18) 	
10	<ul style="list-style-type: none"> ● CAMARA TRASERA CH 18 MGR VALVE TR4 MICHELIN 0/000.520.9102 (u. 1) 	
11	<ul style="list-style-type: none"> ● PROT.BANDA TRASERO 1.60/2.00 X 18/19 (1300X25) 656415 MICHELIN 0/000.220.9110 (u. 1) 	
13	<ul style="list-style-type: none"> ● AGARRE TRAS.EC-2009 2.15x18 0/000.220.9115 (u. 1) 	
14	<ul style="list-style-type: none"> ● TUERCA AUTOBL.M-8 BAJA DIN 985 ZINC 0/000.340.9114 (u. 1) 	
15	<ul style="list-style-type: none"> ● CUBO RUEDA TRASERA EC 2018 BE59100GG-CLJ-1 (u. 1) 	

16	<ul style="list-style-type: none"> COJINETE 6004 2RS1 C160001 (u. 2)
17	<ul style="list-style-type: none"> DISTANCIADOR INTERIOR BUJE TRASERO ENDURO 2018 BE59105GG-CLJ-1 (u. 1)
18	<ul style="list-style-type: none"> DIST.RUEDA TRAS.IZQ.ENDURO 2018 0/000.480.9113 (u. 1)
19	<ul style="list-style-type: none"> CORONA Z 50 ENDURO 2014 COLOR TIT. 0/000.500.9102 (u. 1)
	<ul style="list-style-type: none"> PLATO ARRASTRE Z-49 CROSS 250 0/000.500.9100 (u. 1)
	<ul style="list-style-type: none"> CORONA Z 48 ENDURO 2011 COLOR TIT. 0/000.500.9101 (u. 1)
20	<ul style="list-style-type: none"> TUERCA DIN 6926 M8 Cal.8 Z/BLANCO 0/000.340.0180 (u. 6)
21	<ul style="list-style-type: none"> ALLEN CONICO 8X30 DIN 7991 ZINC 12.9 0/000.460.9153 (u. 6)
22	<ul style="list-style-type: none"> TUERCA RUEDA TRAS.ENDURO 2018 0/000.340.9104 (u. 1)
23	<ul style="list-style-type: none"> CADENA 520 RXP CON ENG ESTUCHADA DE 112 PASOS (SIN RETENES) 0/001.050.9101 (u. 1)
24	<ul style="list-style-type: none"> ENGANCHE CADENA 520 RXP 0/001.050.9111 (u. 1)
25	<ul style="list-style-type: none"> TUERCA RADIO TRASERO BE592153013 (u. 36)
26	<ul style="list-style-type: none"> RETEN RUEDA DEL.TT 25x42x7 C160710 (u. 1)
28	<ul style="list-style-type: none"> TENSOR CADENA PASANTE ENDURO 2018 0/000.380.9101 (u. 1)
29	<ul style="list-style-type: none"> TENSOR CADENA CIEGO ENDURO 2018 0/000.380.9100 (u. 1)
30	<ul style="list-style-type: none"> RUEDA TRAS 2.15 x 18" MR RANGER 2022 0/000.120.9102 (u. 1)
31	<ul style="list-style-type: none"> LLANTA TRASERA 18x2,15" ANODIZADA NEGRA 0/000.230.9105 (u. 1)
32	<ul style="list-style-type: none"> ANILLO SEGEER DIA.42 BE25618038 (u. 1)
33	<ul style="list-style-type: none"> ARANDELA SUPLEMENTO RODA BE250318056 (u. 1)
35	<ul style="list-style-type: none"> KIT COJINETES I RETENES RUEDA TRAS. BE56000CT2510 (u. 1)

Accesorios



2

- PROT.CARTER ENDURO 2018 CON TORNILLERIA
0/R00.220.9100 (u. 1)

Adhesivos

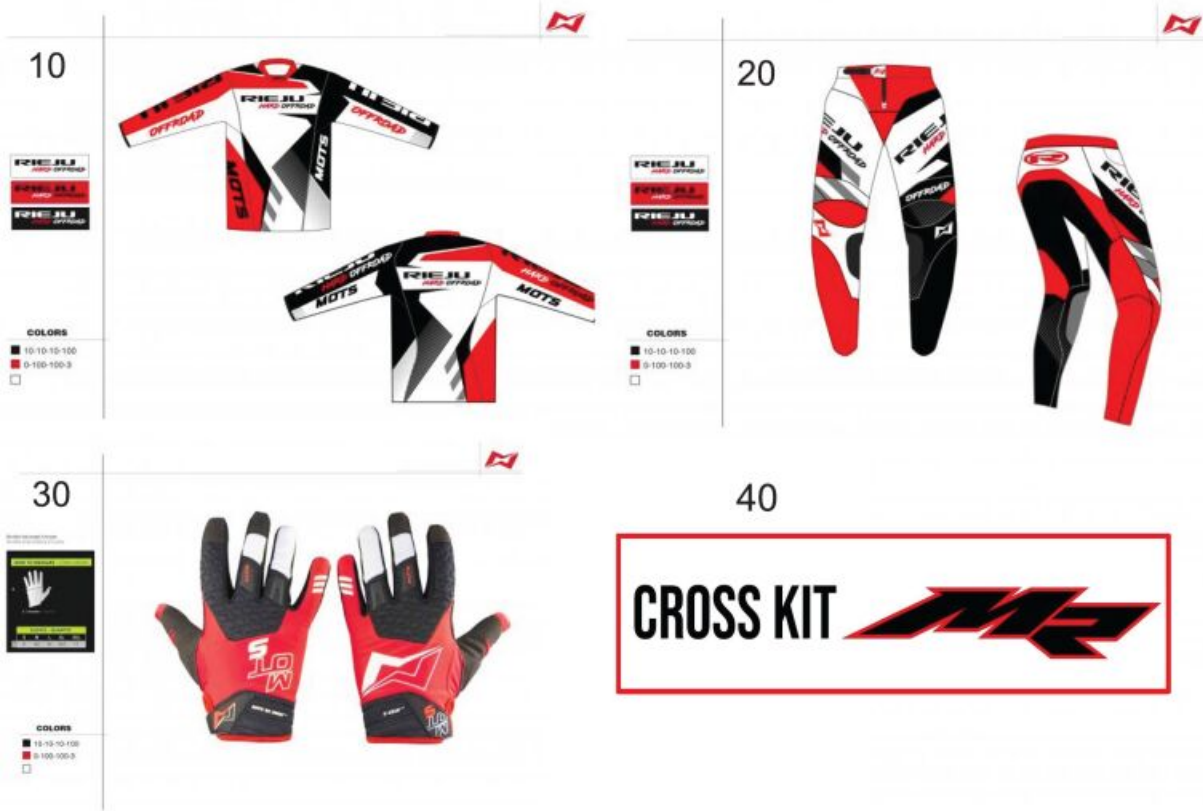
0/000.390.9132 JUEGO CALCAS MR RANGER 2022



1

- JUEGO CALCAS MR RANGER 2022
0/000.390.9132 (u. 1)

Accesorios

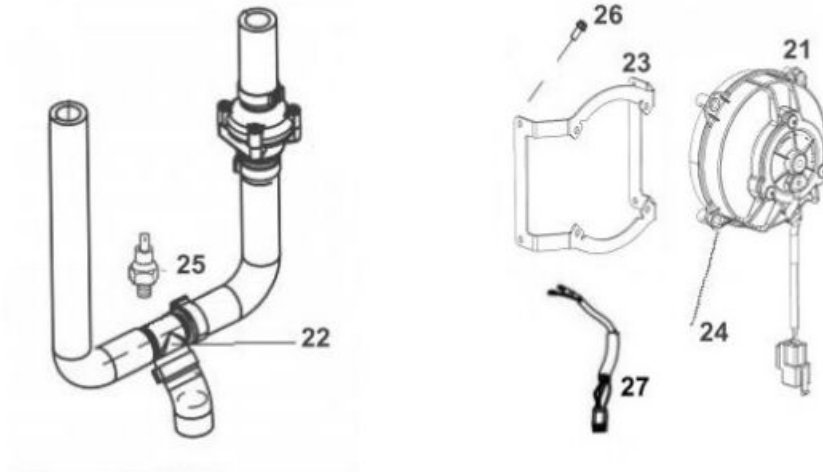


- CAMISA HARD OFF ROAD RED TALLA M
0/000.001.0271 (u. 1)
- CAMISA HARD OFF ROAD RED TALLA XXL
0/000.001.0274 (u. 1)
- 10 ● CAMISA HARD OFF ROAD RED TALLA S
0/000.001.0270 (u. 1)
- CAMISA HARD OFF ROAD RED TALLA L
0/000.001.0272 (u. 1)
- CAMISA HARD OFF ROAD RED TALLA XL
0/000.001.0273 (u. 1)
- PANTALON HARD OFF ROAD RED TALLA XXL
0/000.001.0279 (u. 1)
- PANTALON HARD OFF ROAD RED TALLA XL
0/000.001.0278 (u. 1)
- 20 ● PANTALON HARD OFF ROAD RED TALLA L
0/000.001.0277 (u. 1)
- PANTALON HARD OFF ROAD RED TALLA S
0/000.001.0275 (u. 1)
- PANTALON HARD OFF ROAD RED TALLA M
0/000.001.0276 (u. 1)

	<ul style="list-style-type: none"> ● GUANTES HARD OFF ROAD 2021 TALLA XXL 0/000.001.0284 (u. 1) 	
	<ul style="list-style-type: none"> ● GUANTES HARD OFF ROAD 2021 TALLA M 0/000.001.0281 (u. 1) 	OBSOLETA
30	<ul style="list-style-type: none"> ● GUANTES HARD OFF ROAD 2021 TALLA S 0/000.001.0280 (u. 1) 	OBSOLETA
	<ul style="list-style-type: none"> ● GUANTES HARD OFF ROAD 2021 TALLA L 0/000.001.0282 (u. 1) 	OBSOLETA
	<ul style="list-style-type: none"> ● GUANTES HARD OFF ROAD 2021 TALLA XL 0/000.001.0283 (u. 1) 	OBSOLETA
40	<ul style="list-style-type: none"> ● KIT EC CONVERTIR EN XC BE99996CT-CMV-1 (u. 1) 	

Kit Electroventilador

**28 = 21, 22, 23, 24,
25, 26, 27**



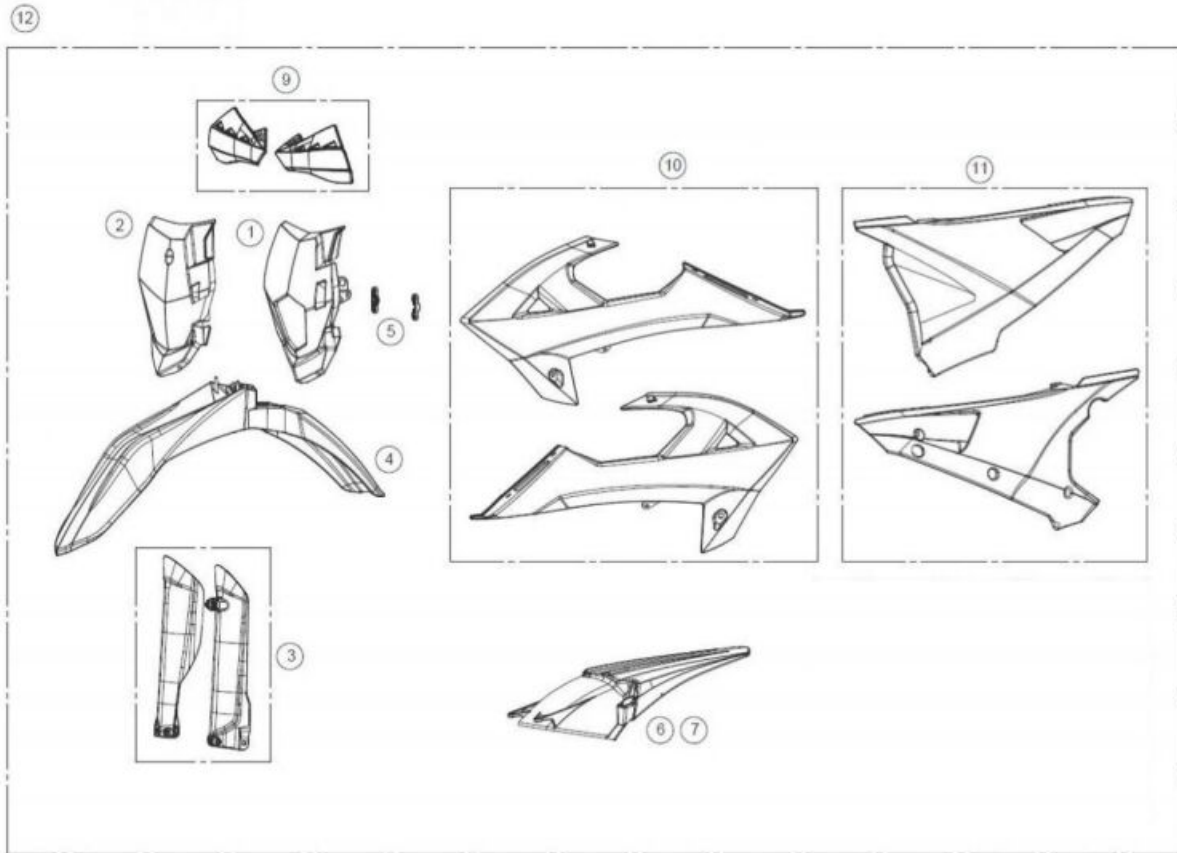
21	<ul style="list-style-type: none"> ELECTROVENTILADOR 0/005.060.9100 (u. 1)
22	<ul style="list-style-type: none"> CONECTOR TIPO "T" RADIADOR MR 0/000.290.9119 (u. 1)
23	<ul style="list-style-type: none"> SOPORTE ELECTROVENTILADOR MR 0/000.980.9124 (u. 1)
24	<ul style="list-style-type: none"> TORNILLO CELO RHS81P 5x12 Torx Z/BLANCO 0/000.460.0090 (u. 4)
25	<ul style="list-style-type: none"> SENSOR TEMPERATURA 87° M14x1,5 0/001.010.9102 (u. 1)
26	<ul style="list-style-type: none"> REMACHE DIN 7337/B 4,8x10 L/NEGRO 0/000.330.0053 (u. 4)
27	<ul style="list-style-type: none"> INSTALACION ELECTROVENTILADOR MR 0/000.160.9111 (u. 1)
28	<ul style="list-style-type: none"> KIT ELECTROVENTILADOR MR + SOPORTE + INSTALACION 0/K05.060.9100 (u. 1) - Para chasis < L00100 necesita 0/000.160.9112

CALCAS LENTICULAR LATERAL



1

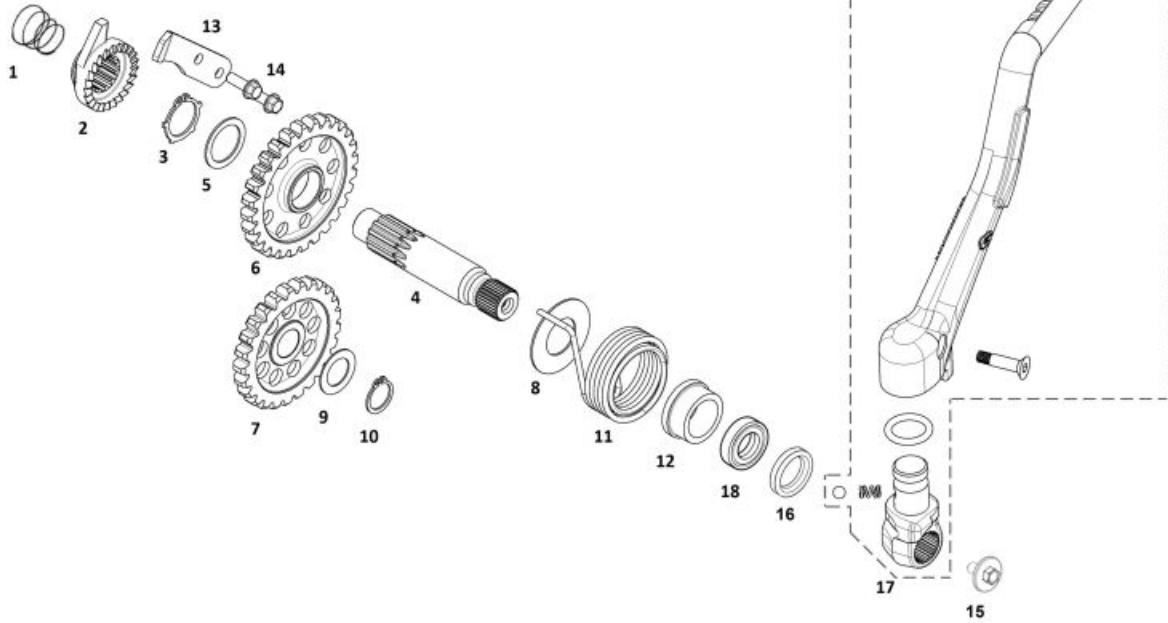
- JUEGO CALCAS LENTICULAR LATERAL MR 2022
0/000.390.9134 (u. 1)

PLASTICOS


- | | |
|----|--|
| 1 | <ul style="list-style-type: none"> ● PORTAFARO DEL.EC 2018 BL.
0/000.620.9100 (u. 1) |
| 2 | <ul style="list-style-type: none"> ● PLACA PORTANUMEROS DELANTERA CROSS COUNTRY 2018 BLANCA
0/000.570.9113 (u. 1) |
| 3 | <ul style="list-style-type: none"> ● CJTO. PROTECTORES HORQUILLA MR BLANCO
0/000.220.9144 (u. 1) |
| 4 | <ul style="list-style-type: none"> ● GUARDABARROS DELANTERO.EC 2018 BLANCO
0/000.050.9101 (u. 1) |
| 5 | <ul style="list-style-type: none"> ● SOPORTE PORTAFARO MR NEGRO INY.
0/000.980.9127 (u. 2) |
| 6 | <ul style="list-style-type: none"> ● CTO.GUARDAB.TRAS.EC 2018 BL.
0/000.060.9100 (u. 1) |
| 9 | <ul style="list-style-type: none"> ● CTO.PARAMANOS ENDURO BLANCO (QWEST)
0/000.770.9100 (u. 1) |
| 10 | <ul style="list-style-type: none"> ● KIT PLACAS PROTECCION RADIADOR BLANCAS MR
0/K00.570.9107 (u. 1) |
| 11 | <ul style="list-style-type: none"> ● KIT PLACAS LATERALES PORTANUMEROS BLANCAS MR
0/K00.570.9101 (u. 1) |
| 12 | <ul style="list-style-type: none"> ● KIT PLASTICOS COMPLETOS MR BLANCO
0/K00.570.9105 (u. 1) |

ENGINE MR 2022 V2

MOTOR 2024

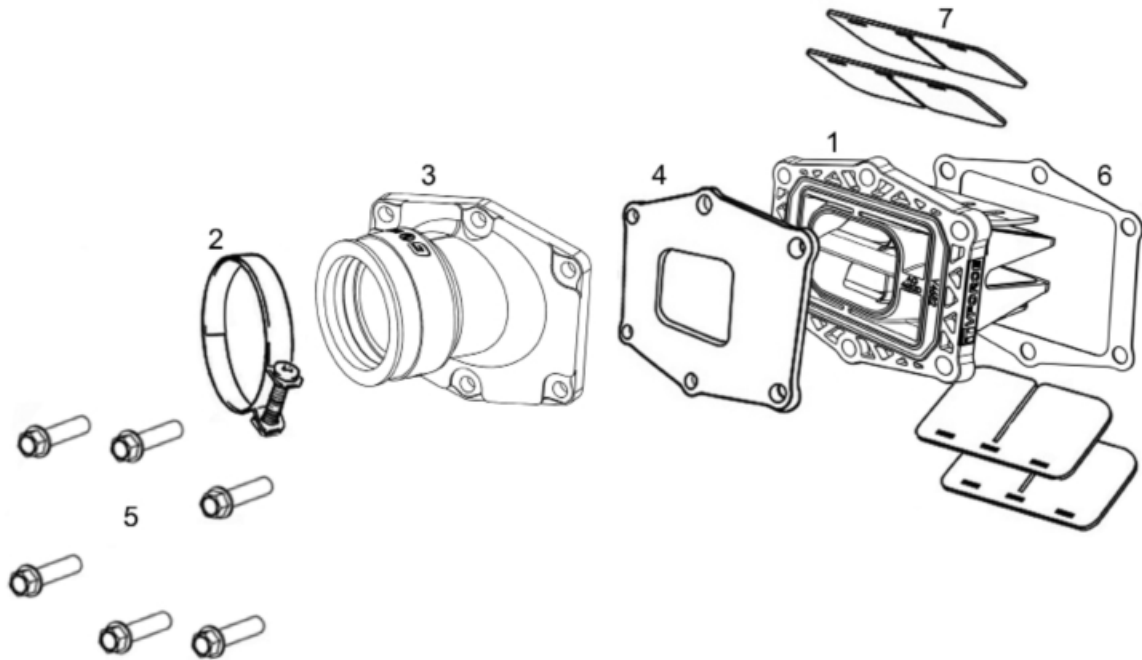
PALANCA DE ARRANQUE


1	<ul style="list-style-type: none"> MUELLE TRINQUETE ARRANQUE 0/000.470.9109 (u. 1)
2	<ul style="list-style-type: none"> TRINQUETE ARRANQUE EC125cc 0/005.400.9110 (u. 1)
3	<ul style="list-style-type: none"> SEEGER D.20 DIN 471 0/000.300.9105 (u. 1)
4	<ul style="list-style-type: none"> EJE ARRANQUE EC-2001 0/005.400.9106 (u. 1)
5	<ul style="list-style-type: none"> ARAN.TOPE 27X20.2X1 DESPL ARRAN. 0/000.440.9109 (u. 1)
6	<ul style="list-style-type: none"> PIÑÓN ARRANQUE EC-2001 0/005.400.9105 (u. 1)
7	<ul style="list-style-type: none"> PIÑÓN INT.ARRANQUE EC-2008 0/005.400.9108 (u. 1)
8	<ul style="list-style-type: none"> ARANDELA ARRANQUE 40x20,15x1 0/000.440.9111 (u. 1)
9	<ul style="list-style-type: none"> VOLANDERA PIÑÓN ARRAN.24X15.15X0.8 0/000.440.9110 (u. 1)
10	<ul style="list-style-type: none"> ANILLO SEGGER DIN 471 DE 15 0/000.300.9101 (u. 1)
11	<ul style="list-style-type: none"> MUELLE ARRANQUE 0/000.470.9110 (u. 1)
12	<ul style="list-style-type: none"> CASQ.CENTRADOR MUELLE ARRANQUE 0/000.480.9125 (u. 1)
13	<ul style="list-style-type: none"> PLATINA TRINQUETE ARRANQUE 0/000.980.9114 (u. 1)
14	<ul style="list-style-type: none"> TORN.ESP.+ARAND.5x15 DIN 6921 GEOMET 10.9 0/000.460.9115 (u. 2)
15	<ul style="list-style-type: none"> TORNILLO ESPECIAL 6X11 GEOMET 10.9 0/000.460.9134 (u. 1)
16	<ul style="list-style-type: none"> CASQ.TOPE PEDAL ARRANQUE EC 2014 0/000.480.9126 (u. 1)

17	<ul style="list-style-type: none">• PALANCA ARRANQUE MR 2021 0/005.430.9103 (u. 1)
18	<ul style="list-style-type: none">• RETEN PEDAL ARRAN.20X30X7 0/000.890.9105 (u. 1)

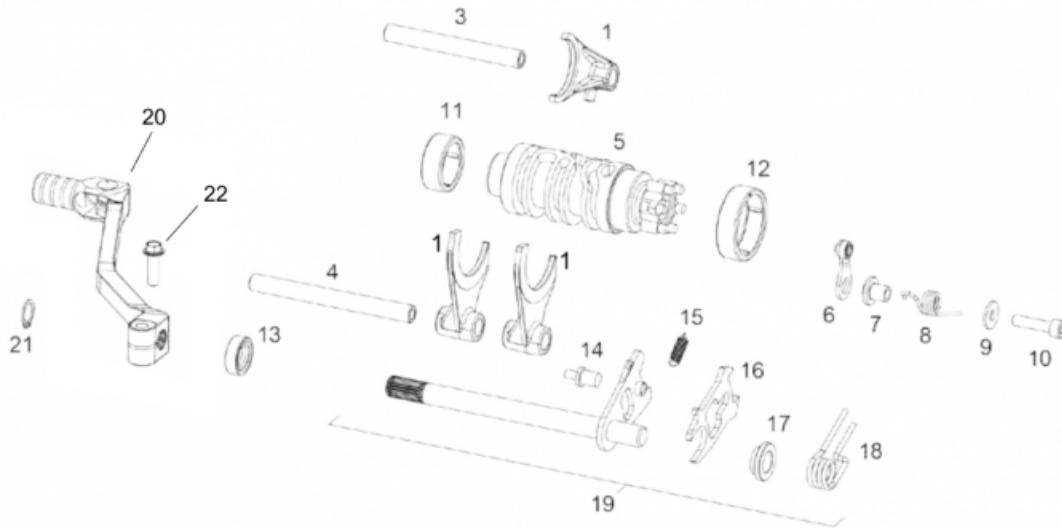
21	<ul style="list-style-type: none"> SEP.COJINETE CENTRIFUGO ME25616008 (u. 1) 	
22	<ul style="list-style-type: none"> CAMPANA CENTRIFUGO EC 2015 ME59030GG-CEQ-1 (u. 1) 	OBSOLETA
23	<ul style="list-style-type: none"> EJE CENTRIFUGO EC 2015 ME59015GG-CEQ-1 (u. 1) 	
24	<ul style="list-style-type: none"> BOLA CENTRIFUGO EMB.DE 8 m/m. ME25616033 (u. 6) 	OBSOLETA
25	<ul style="list-style-type: none"> TORICA 6X2 EJE CENTR.VAL.ESCAPE ME25616045 (u. 1) 	
26	<ul style="list-style-type: none"> ARAMDELA APYO MUELLE EC 300 2015 ME59025GG-CEQ-1 (u. 1) - 250cc / 300cc 	OBSOLETA
27	<ul style="list-style-type: none"> EJE PIÑON BOMBA AGUA 0/000.190.9104 (u. 1) 	
28	<ul style="list-style-type: none"> RODAM.BOMBA AGUA 6000C3Z =M03313001 0/000.960.9107 (u. 1) 	
29	<ul style="list-style-type: none"> SEEGER D.26 DIN 472-I26 0/000.300.9106 (u. 1) 	
30	<ul style="list-style-type: none"> RETEN BOMBA AGUA (ESTOPADA) 1510 CA/CE 1 0/000.890.9104 (u. 1) 	
31	<ul style="list-style-type: none"> TURBINA BOMBA AGUA 2014 0/005.220.9100 (u. 1) 	
32	<ul style="list-style-type: none"> PIÑON CENTRIFUGO EC 300 2015 ME59050GG-CEQ-1 (u. 1) 	
34	<ul style="list-style-type: none"> ARANDELA 25.8x17.5x0.5 BOMBA AGUA 0/000.440.9103 (u. 1) 	
35	<ul style="list-style-type: none"> CENTRIFUGO COMPLETO EC 200 2019 0/000.640.9102 (u. 1) - 200 CC 	
	<ul style="list-style-type: none"> CENTRIFUGO COMPLETO EC 300 2015 0/000.640.9101 (u. 1) - 300 CC 	
36	<ul style="list-style-type: none"> ARANDELA 15X28X0.8 Y00.25406408 (u. 1) 	OBSOLETA
37	<ul style="list-style-type: none"> TUERCA HEXAGONAL 6 M5 T2706050 (u. 1) 	OBSOLETA
38	<ul style="list-style-type: none"> TORNILLO DE AJUSTE HEXA.INT.M5X16 T0325016 (u. 1) 	OBSOLETA
39	<ul style="list-style-type: none"> RODAMIENTO BOL. 619/8-ZZ 0/000.960.9105 (u. 1) 	

VALVULA DE LAMINAS



1	<ul style="list-style-type: none"> ● CAJA LAMINAS V405D 0/005.600.9102 (u. 1) - CAJA LÁMINAS 2024 ● CAJA LAMINAS V-FORCE 4 0/005.600.9100 (u. 1) 	OBSOLETA
2	<ul style="list-style-type: none"> ● ABRAZ.S56/9 W1 ZINC 0/000.680.9109 (u. 1) 	
3	<ul style="list-style-type: none"> ● TUBERA ADMISION ENDURO 2018 0/000.290.9116 (u. 1) 	
4	<ul style="list-style-type: none"> ● JUNTA CAJA LAMINAS TUBERA ENDURO 2018 0/000.490.9114 (u. 1) 	
5	<ul style="list-style-type: none"> ● TORN.ESP. DIN 6921 Hex.8 M6x25 Cal.10.9 GEOMET 0/000.460.9121 (u. 6) 	
6	<ul style="list-style-type: none"> ● JUNTA CAJA LAMINAS- CARTER V-FORCE 4 0/000.490.9120 (u. 1) 	
7	<ul style="list-style-type: none"> ● JUEGO LAMINAS ADMISION ME27000GG-CAB-1 (u. 2) 	

EJE DE CAMBIO



1 ● KIT HORQUILLAS PRIMARIO Y SECUNDARIO ENDURO 2018
ME47000CT-CLJ-1 (u. 1)

3 ● EJE HORQ.CORTO
0/000.190.9107 (u. 1)

4 ● EJE HORQ.LARGO
0/000.190.9106 (u. 1)

5 ● DESMODROMICO EC-2005
0/005.090.9100 (u. 1)

6 ● FIJADOR MARCHAS EC COMP.
0/005.560.9100 (u. 1)

7 ● CASQU.PLATINA FIJ.MARCHAS
0/000.480.9122 (u. 1)

8 ● MUELLE FIJADOR MARCHAS EC-2000
0/000.470.9108 (u. 1)

9 ● ARANDELA PLANA 6.5X16X1.5 DIN 125 ZINC
0/000.440.9125 (u. 1)

10 ● TORN.ESP. DIN 6921 Hex.8 M6x25 Cal.10.9 GEOMET
0/000.460.9121 (u. 1)

11 ● RODAM.DESMODROMICO HK2512 =M03645000
0/000.960.9111 (u. 1)

12 ● ROD.DESMO.HK3512=M03650000
0/000.960.9110 (u. 1)

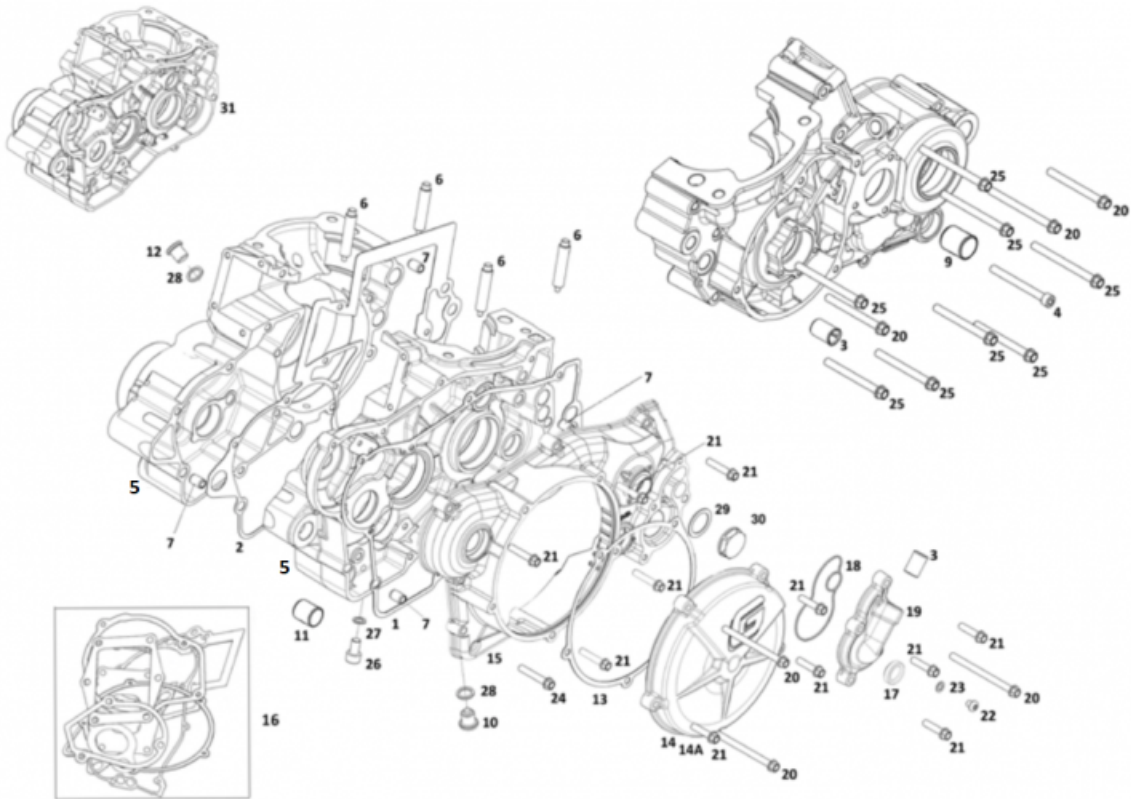
13 ● RETEN SELEC.12-22-7 AS-CC =M03821000
0/000.890.9107 (u. 1)

14 ● TORN.CENTR.MUELLE SELEC.
0/000.460.9110 (u. 2)

15 ● MUELLE ESCORPION 250.TT.
ME25636039 (u. 1)

16	<ul style="list-style-type: none">• ESCORPION EC250-2002 ME250236036 (u. 1)	
17	<ul style="list-style-type: none">• DOLLA CENTRADOR ESCORPION EC250-2002 ME250236041 (u. 1)	
18	<ul style="list-style-type: none">• MUELLE SELEC. ME25636035 (u. 1)	
19	<ul style="list-style-type: none">• EJE SELEC.COMP.EC250 0/005.010.9100 (u. 1)	
20	<ul style="list-style-type: none">• PEDAL CAMBIO MR 2022 0/005.430.9104 (u. 1)	
21	<ul style="list-style-type: none">• ANILLO SEGGER DIN 471 DE 12 0/000.300.9104 (u. 1)	
22	<ul style="list-style-type: none">• TORN.ESP. DIN 6921 Hex.8 M6x20 Cal.10.9 GEOMET 0/000.460.9120 (u. 1)	OBSOLETA
	<ul style="list-style-type: none">• TORN.ESP. DIN 6921 Hex.8 TX30 M6x20 Cal.10.9 GEOMET 0/000.460.9181 (u. 1)	

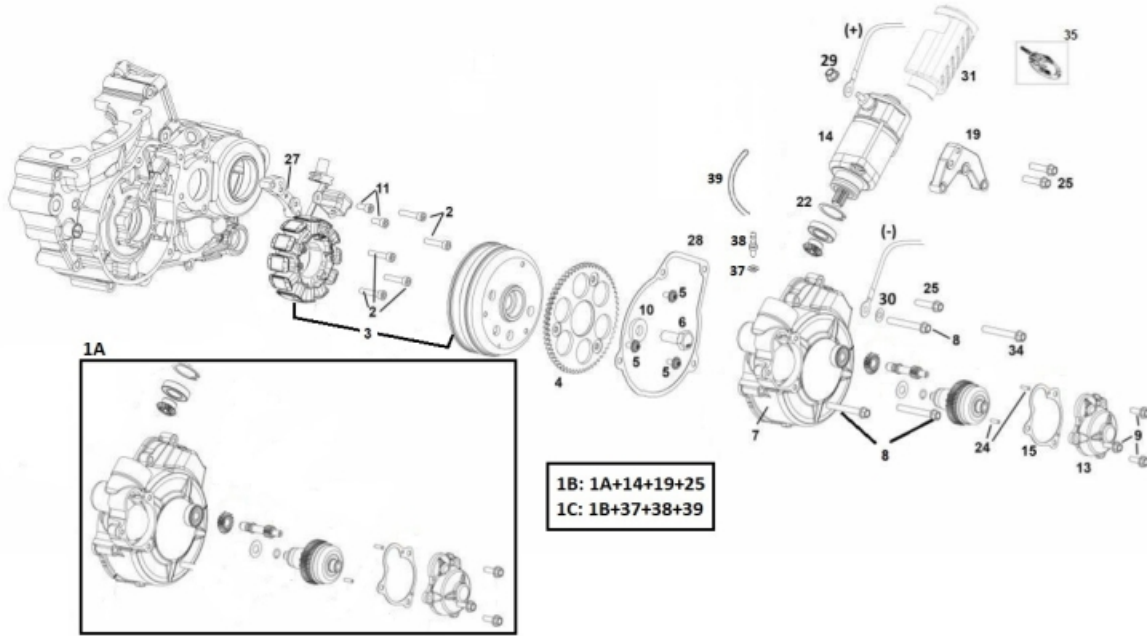
CARTER



1	<ul style="list-style-type: none"> JUNTA TAPA EMBR FOAMET 0.6mm 0/000.490.9108 (u. 1)
2	<ul style="list-style-type: none"> JUNTA CARTER 2018 0/000.490.9118 (u. 1)
3	<ul style="list-style-type: none"> RACORD ENTRADA AGUA 0/000.480.9123 (u. 2)
4	<ul style="list-style-type: none"> ALLEN 6X60 DIN 912 ZINC 12.9 0/000.460.9150 (u. 1)
5	<ul style="list-style-type: none"> CTO.CARTERS ENDURO 300 2018 ME10000CT-CLJ-1 (u. 1) CTO.CARTERS ENDURO 200 2018 ME10000CT-CLP-1 (u. 1)
6	<ul style="list-style-type: none"> ESPARRAGO CIL. 0/000.280.9100 (u. 4)
7	<ul style="list-style-type: none"> CASQ.CENTRADOR CARTER 6X9X14 =ME25610018 0/000.480.9119 (u. 4)
9	<ul style="list-style-type: none"> GLACIER PEDAL FRENO 1215PD10 0/000.480.9117 (u. 1)
10	<ul style="list-style-type: none"> TAPON VACIADO ACEITE HEXAGONAL 0/000.410.9104 (u. 1)
11	<ul style="list-style-type: none"> GLACIER PEDAL DAP 1212PD 0/000.480.9105 (u. 1)
12	<ul style="list-style-type: none"> TAPON LLENDO ACEITE HEXAGONAL-COLOR TITANIO 0/000.410.9103 (u. 1)
13	<ul style="list-style-type: none"> JUNTA TAPA DISCOS 2014 0/000.490.9104 (u. 1)
14	<ul style="list-style-type: none"> TAPA DISCOS EMBRAGUE GRIS 0/000.350.9105 (u. 1)

	<ul style="list-style-type: none"> VISOR NIVEL ACEITE EC400-4T 0/000.410.9106 (u. 1)
15	<ul style="list-style-type: none"> CASQUILLO ROSCADO TAPON CENTRIFUGO 0/000.980.9131 (u. 1)
	<ul style="list-style-type: none"> RETEN PEDAL ARRAN.20X30X7 0/000.890.9105 (u. 1)
	<ul style="list-style-type: none"> TAPA EMBRAGUE GRIS RAL (9006) 0/000.350.9107 (u. 1)
	<ul style="list-style-type: none"> KIT JUNTAS MOTOR ENDURO 2018 ME94610CT-CLJ-1 (u. 1)
16	<ul style="list-style-type: none"> VISOR NIVEL ACEITE EC400-4T 0/000.410.9106 (u. 1)
17	<ul style="list-style-type: none"> JUNTA TAPA BOMBA AGUA 2014 0/000.490.9115 (u. 1)
18	<ul style="list-style-type: none"> TAPA BOMBA AGUA 0/000.220.9124 (u. 1)
19	<ul style="list-style-type: none"> TORN.ESP. DIN 6921 Hex.8 M6x75 Fil.20 Cal.10.9 GEO 0/000.460.9129 (u. 6)
20	<ul style="list-style-type: none"> TORN.ESP. DIN 6921 Hex.8 M6x25 Cal.10.9 GEOMET 0/000.460.9121 (u. 11)
21	<ul style="list-style-type: none"> TORN.ESP. DIN 6921 Hex.8 M6x10 Cal.10.9 GEOMET 0/000.460.9133 (u. 1)
22	<ul style="list-style-type: none"> ARANDELA COBRE 6X10X1.5 TORN.VAC.AGUA CI 0/000.440.9122 (u. 1)
23	<ul style="list-style-type: none"> TORN.ESP. DIN 6921 Hex.8 M6x35 Cal.10.9 GEOMET 0/000.460.9124 (u. 1)
24	<ul style="list-style-type: none"> TORN.ESP. DIN 6921 Hex.8 M6x60 Cal.10.9 GEOMET 0/000.460.9128 (u. 8)
25	<ul style="list-style-type: none"> ARANDELA COBRE 8X12X1,5 DIN 125 A ISO 7089 0/000.440.9128 (u. 1)
27	<ul style="list-style-type: none"> ARANDELA TIPO BUJIA 12X18X2 0/000.440.9114 (u. 2)
28	<ul style="list-style-type: none"> Tórica 20 x 1.5 NBR 70 0/000.490.9116 (u. 1)
29	<ul style="list-style-type: none"> TAPON REGLAJE CENTRIFUGO 0/000.410.9105 (u. 1)
30	<ul style="list-style-type: none"> CTO.CARTERS ENDURO 300 2018 ME10000CT-CLJ-1 (u. 1) - 250cc / 300cc
31	<ul style="list-style-type: none"> CASQ.CENTRADOR CARTER 6X9X14 =ME25610018 0/000.480.9119 (u. 2)
32	

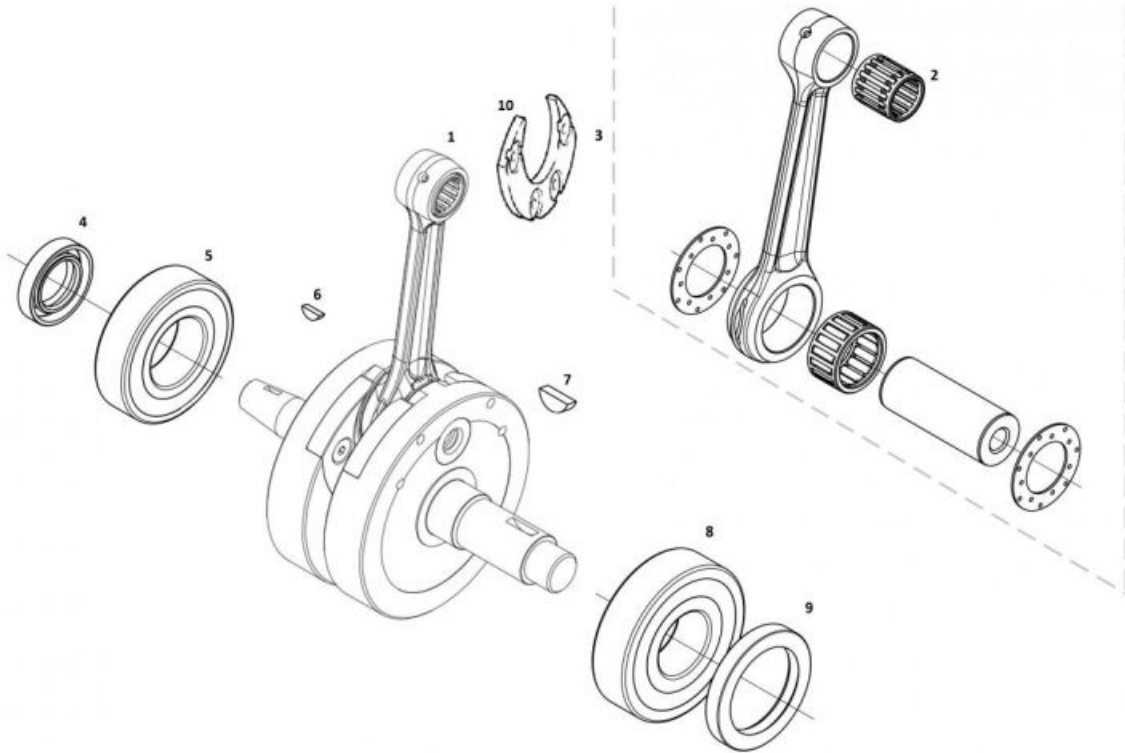
GENERADOR - ARRANQUE ELECTRICO



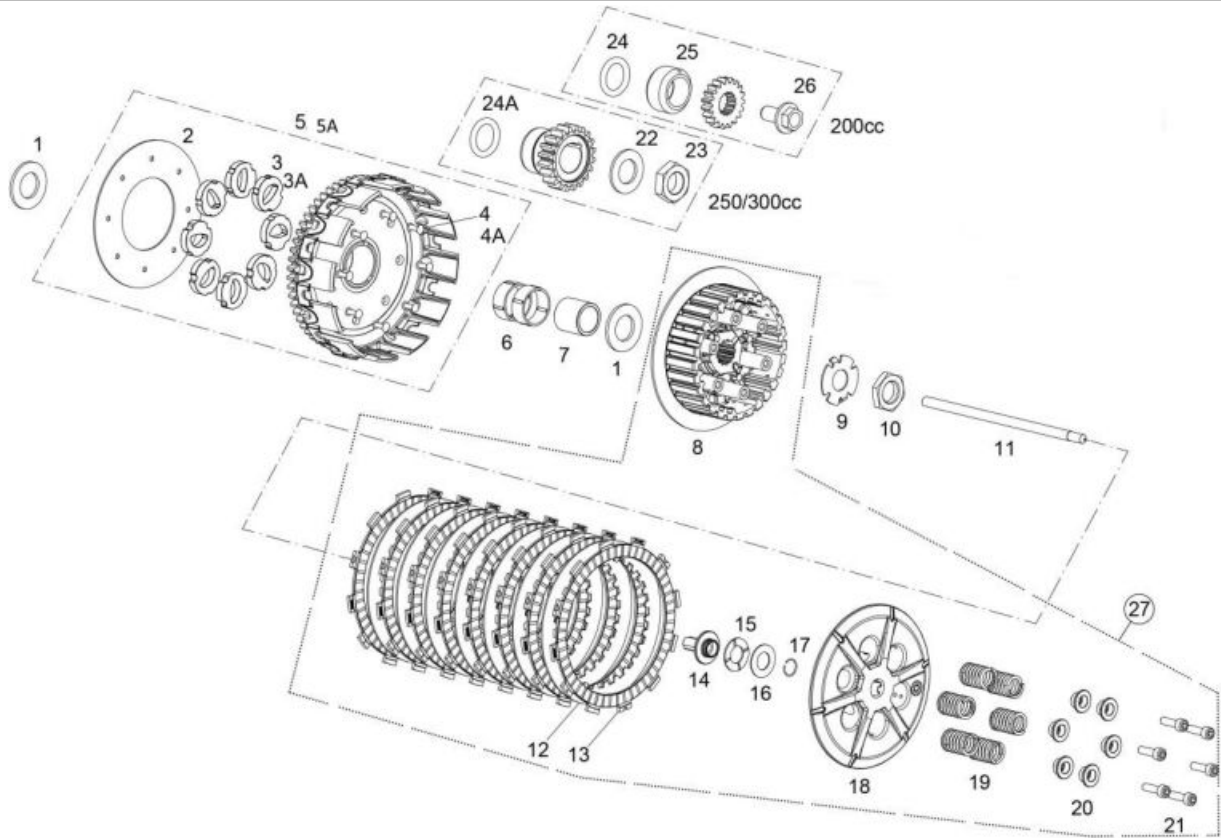
1B	<ul style="list-style-type: none"> KIT ARRANQUE ELECTRICO MR 2022 0/005.480.9102 (u. 1) - CON MOTOR ARRANQUE
1A	<ul style="list-style-type: none"> KIT TAPA ARRANQUE + BENDIX MEJORADO 0/005.480.9103 (u. 1) - SIN MOTOR DE ARRANQUE
1C	<ul style="list-style-type: none"> KIT ARRANQUE ELECTRICO MR 2022 + DESVAPORIZADOR 0/K05.480.9102 (u. 1) - CON MOTOR DE ARRANQUE
2	<ul style="list-style-type: none"> ALLEN 5X25 DIN 912 DRACOMET 8.8 0/000.460.9146 (u. 5)
3	<ul style="list-style-type: none"> KIT VOLANTE MAGNETICO MR 2022 0/005.820.9104 (u. 1)
4	<ul style="list-style-type: none"> CORONA ARRANQUE ELECTRICO EC 2015 0/005.400.9102 (u. 1)
5	<ul style="list-style-type: none"> TORX CABEZA ABOM.ARANDELA 5X8 ISO 7380-2 10.9 0/000.460.9154 (u. 3)
6	<ul style="list-style-type: none"> TORN.ESP. DIN 6921 Hex.17 M8x25x125 Cal.10.9 GEO 0/000.460.9112 (u. 1)
8	<ul style="list-style-type: none"> TORN.ESP. DIN 6921 Hex.8 M6x40 Fil.20 Cal.10.9 GEO 0/000.460.9125 (u. 1)
9	<ul style="list-style-type: none"> TORN.ESP.+ARAND.5x15 DIN 6921 GEOMET 10.9 0/000.460.9115 (u. 3)
11	<ul style="list-style-type: none"> ALLEN 5X10 DIN 912 ZINC 12.9 0/000.460.9145 (u. 2)
13	<ul style="list-style-type: none"> TAPA BENDIX EC 2015 EE80130GG-CBR-2 (u. 1)
14	<ul style="list-style-type: none"> MOTOR ARRAN.ELEC.EC 2015 PHI50mm 0/005.480.9100 (u. 1)
15	<ul style="list-style-type: none"> JUNTA TAPA BENDIX EC 2015 FOAMET 0,6 EE80135GG-CBR-1 (u. 1)
19	<ul style="list-style-type: none"> SOPORTE MOTOR ARRANQUE ELECTRICO EC 2015 0/000.980.9111 (u. 1)
24	<ul style="list-style-type: none"> AGUJA DIN5402-3 TIPO BF DIAM-3X9.8 PLANA EE80140GG-CBR-1 (u. 2)
25	<ul style="list-style-type: none"> TORN.ESP. DIN 6921 Hex.8 M6x25 Cal.10.9 GEOMET 0/000.460.9121 (u. 3)

27	<ul style="list-style-type: none"> ADAPTADOR PULSADOR HIDRIA EC 2014 V2 0/000.980.9109 (u. 1)
28	<ul style="list-style-type: none"> JUNTA TAPA VOLANTE 0/000.490.9119 (u. 1)
29	<ul style="list-style-type: none"> TUERCA+ARAN.M-6 ESTR. DIN 6923 ZINC 8 0/000.340.9116 (u. 1)
30	<ul style="list-style-type: none"> ARANDELA PLANA 6X12X1.5 DIN 125 ZINC 0/000.440.9124 (u. 1)
31	<ul style="list-style-type: none"> TAPA ARRANQUE ELECTRICO ENDURO 2018 0/000.220.9119 (u. 1)
32	<ul style="list-style-type: none"> ALLEN 6x45 DIN 912 ZINC 12.9 0/000.460.9149 (u. 1)
33	<ul style="list-style-type: none"> ALLEN 6x40 DIN 912 ZINC 12.9 0/000.460.9148 (u. 1)
34	<ul style="list-style-type: none"> TORN.ESP. DIN 6921 Hex.8 M6x50 Fil.20 Cal.10.9 GEO 0/000.460.9126 (u. 1)
35	<ul style="list-style-type: none"> ESCOBILLAS MOTOR ARRANQUE EC EE80010GG-CBR-1 (u. 1)
37	<ul style="list-style-type: none"> ARANDELA FIBRA 6x10x1,5 0/000.440.9123 (u. 1)
38	<ul style="list-style-type: none"> DESVAP.CARTER D.3=ME25610012 0/000.630.9105 (u. 1)
39	<ul style="list-style-type: none"> TUBO COPOLAN-NBR-NVC Ø5 x Ø9 x 450 0/000.290.9126 (u. 1)

CIGÜEÑAL



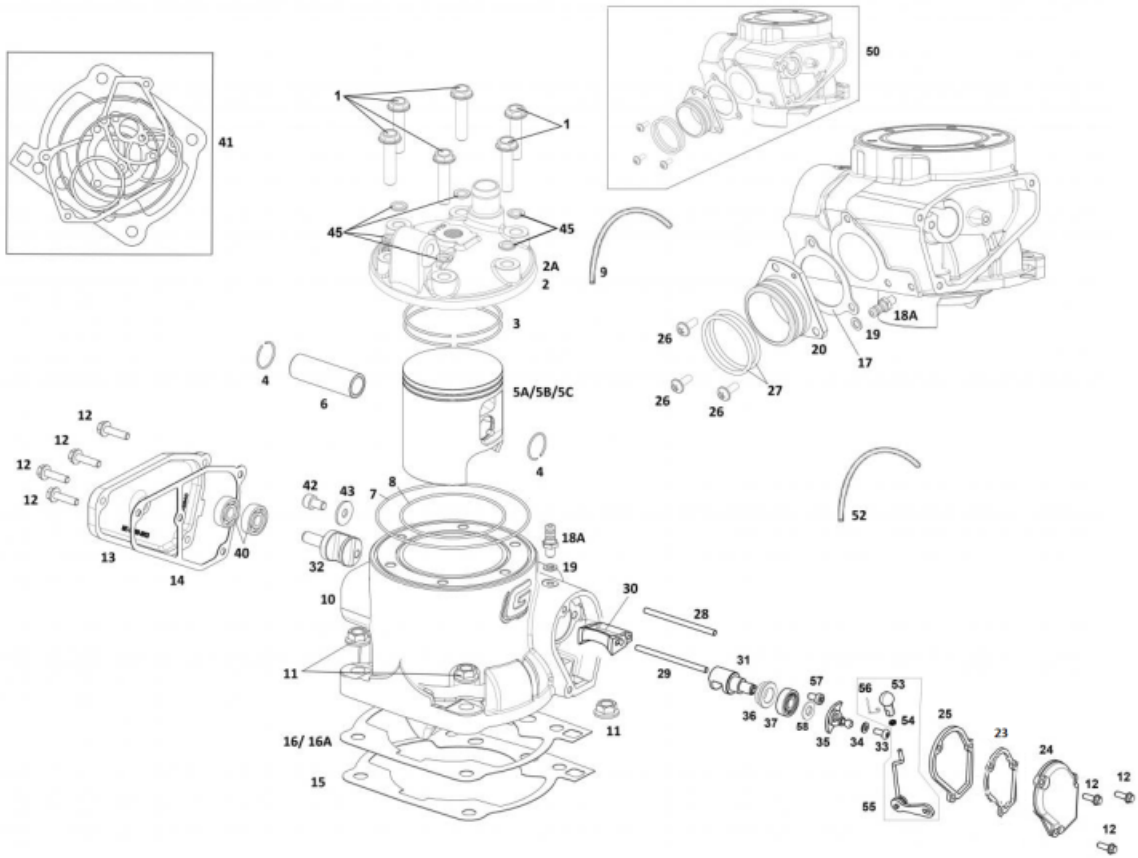
1	<ul style="list-style-type: none"> CTO.CIGUEÑAL ENDURO 2018 0/005.380.9100 (u. 1) - 300 CC
	<ul style="list-style-type: none"> CIGUEÑAL EC200-2014 0/005.380.9102 (u. 1) - 200 CC
2	<ul style="list-style-type: none"> ROD.RV.18X22X21,8 S PIE DE BIELA ME25616035 (u. 1)
3	<ul style="list-style-type: none"> CTO.BIELA ENDURO ME25612100 (u. 1)
4	<ul style="list-style-type: none"> RETEN LADO IZ.CIG.TCJ 20x35x6/6.5 0/000.890.9103 (u. 1)
5	<ul style="list-style-type: none"> COJINETE CIGUEÑAL IZQUIERDO 6206- TN9/C4 (ABIERTO) 0/000.960.9115 (u. 1)
6	<ul style="list-style-type: none"> CHAVETA 3x3.7 D.10 DIN 6888 0/005.490.9102 (u. 1)
7	<ul style="list-style-type: none"> CHAVETA DIN 6888 16 x 5 x 6,5 0/005.490.9100 (u. 1)
8	<ul style="list-style-type: none"> COJINETE CIGUEÑAL DERECHO 63/28-HN3/C3 GXN (ABIERTO) 0/000.960.9116 (u. 1)
9	<ul style="list-style-type: none"> RETEN DCH.O.CIGUEÑAL TB2J 38-52 7 0/000.890.9102 (u. 1)
10	<ul style="list-style-type: none"> NYLON CONTRAPESO CIGUEÑAL 200 0/005.075.9100 (u. 1) - 200 cc
	<ul style="list-style-type: none"> NYLON CONTRAPESO CIGUEÑAL 250 -300 0/005.075.9101 (u. 1) - 250-300 cc

EMBRAGUE


1	<ul style="list-style-type: none"> ARAN.CAMPANA EMBRAG.22.1X42X2.8 0/000.440.9106 (u. 2)
2	<ul style="list-style-type: none"> ARANDELA CORONA EMBR. ME20932009 (u. 1)
3	<ul style="list-style-type: none"> GOMA SILENBLOC C4015/115 EMBR.3376 ME20932008 (u. 8)
4	<ul style="list-style-type: none"> REMACHE CAMPANA EMBR. ME250132010 (u. 8)
5	<ul style="list-style-type: none"> CTO.CORONA-PIÑON EMBR.ENDURO 250-300 2014 0/005.400.9104 (u. 1) - 250 / 300 CC CTO.CORONA EMBR.ENDURO 200 0/005.400.9103 (u. 1) - 200 CC
6	<ul style="list-style-type: none"> COJI.CAMP.EMB.K28X33X13FV-M1 M3 0/000.980.9113 (u. 2)
7	<ul style="list-style-type: none"> CASQ.CAMPANA EMBR. 0/000.480.9121 (u. 1)
8	<ul style="list-style-type: none"> CUBO EMBRAGUE ENDURO 2018 ME22005GG-CLJ-1 (u. 1)
9	<ul style="list-style-type: none"> ARANDELA PRECINTO CORONA EMBRAGUE ENDURO 2018 0/000.440.9104 (u. 1)
10	<ul style="list-style-type: none"> TUERCA FIJ.CUBO EMB. 0/000.340.9107 (u. 1)
11	<ul style="list-style-type: none"> VARILLA EMBRAGUE MR 0/000.190.9105 (u. 1)
12	<ul style="list-style-type: none"> DISCOS EMBRAGUE HIERRO ME22105GG-CLJ-1 (u. 7)
13	<ul style="list-style-type: none"> DISCOS EMBRAGUE FORRADO ME22100GG-CLJ-1 (u. 8) - <i>MEJOR CALIDAD</i> DISCOS EMB.FORRADO 7138 ME25632007 (u. 8)

14	<ul style="list-style-type: none"> CASQUILLO PREMSA EMBRAGUE 0/000.480.9120 (u. 1)
15	<ul style="list-style-type: none"> JAULA AGUJA AXK 1528 0/000.960.9109 (u. 1)
16	<ul style="list-style-type: none"> PLACA JAULA AGUJA AS 15 0/000.440.9107 (u. 1)
17	<ul style="list-style-type: none"> ANILLO DIN 7993 Ø14x1 0/000.300.9102 (u. 1)
18	<ul style="list-style-type: none"> PREMSA PLATO ENDURO 2018 ME23000GG-CLJ-1 (u. 1)
19	<ul style="list-style-type: none"> MUELLE EMBRAGUE EC-2018 ME22025GG-CLJ-1 (u. 6)
20	<ul style="list-style-type: none"> CASQ.MUELLE EMBR. EC-2018 ME22020GG-CLJ-1 (u. 6)
21	<ul style="list-style-type: none"> ALLEN 6X25 TA.EMB,CART,SUSP.12.9 T0306025 (u. 6)
22	<ul style="list-style-type: none"> ARANDELA DIN 125 PULIDA D-20 ZINC 40-42HRC 0/000.440.9108 (u. 1)
23	<ul style="list-style-type: none"> TUERCA BLOCAJE PIÑON CIGUEÑAL EC-2000 0/000.340.9106 (u. 1)
24	<ul style="list-style-type: none"> TORICA PIÑON PRIM.EMBR.(Ø23*5 NBR) 0/000.490.9106 (u. 1)
25	<ul style="list-style-type: none"> CASQ.CIGUEÑAL 25X38X20 0/000.480.9127 (u. 1)
26	<ul style="list-style-type: none"> TORN.ESP.12X25X1.25 FIL.20 12.9 GEOMET 0/000.460.9114 (u. 1)
27	<ul style="list-style-type: none"> CTO.CUBO EMBR.ENDURO 2018 0/005.350.9100 (u. 1)

CILINDRO

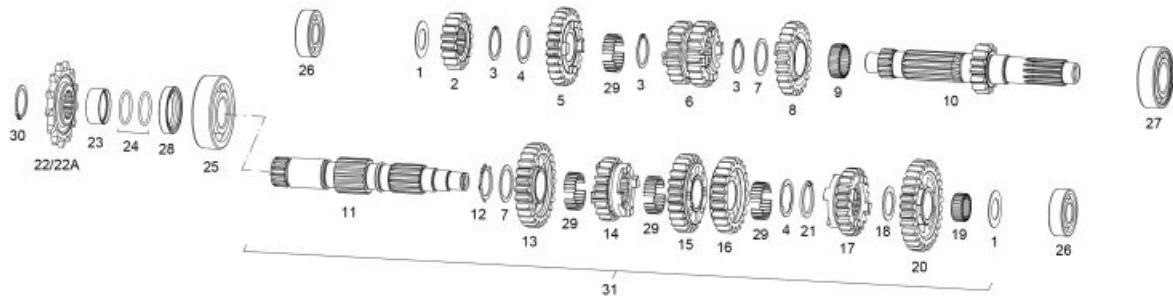


1	<ul style="list-style-type: none"> TORN.ESP. DIN 6921 Hex.10 M8x35 Fil.25 Cal.10.9 GE 0/000.460.9130 (u. 6)
2	<ul style="list-style-type: none"> CULATA ENDURO 200 MY2018 0/005.770.9102 (u. 1) - 200 CC CULATA ENDURO 250 2018 0/005.770.9101 (u. 1) - 250 CC CULATA EC/XC 300 0/005.770.9100 (u. 1) - 300 CC
3	<ul style="list-style-type: none"> JUEGO AROS PISTON TT 250 ME25616040 (u. 1) - 250cc JUEGO AROS PISTON TT-300 2835CD ME30916040 (u. 1) - 300cc
4	<ul style="list-style-type: none"> JUEGO CLIP BULON TT 250 ME25616126 (u. 2)
5C	<ul style="list-style-type: none"> PISTON 66.36 250 ENDURO C ME25616122R (u. 1) - 250cc PISTON 300CC C ME30916122R (u. 1) - 300cc
5B	<ul style="list-style-type: none"> PISTON TT 300 71.95 B ME300416121 (u. 1) - 300cc PISTON 250 ENDURO B ME25616121R (u. 1) - 250cc
5A	<ul style="list-style-type: none"> PISTON TT 300 EC-2004 ME300416020 (u. 1) - 300cc PISTON TT 250 A ME25616020R (u. 1) - 250cc
6	<ul style="list-style-type: none"> BULON PISTON TT 250 ME25616125 (u. 1)

7	<ul style="list-style-type: none"> TORICA CULATA EXT.107.67x1.78 0/000.490.9109 (u. 1)
8	<ul style="list-style-type: none"> TORICA CULATA INTER.75.92X1.78 VITON 0/000.490.9111 (u. 1) - 300 CC
	<ul style="list-style-type: none"> TORICA CULATA INT.VITON 72.7x1.78 0/000.490.9110 (u. 1) - 200 CC
9	<ul style="list-style-type: none"> TUBO DESV.CARTER (55 cm.) ME25610022 (u. 1)
9A	<ul style="list-style-type: none"> CTO.TUBO DESVAPORIZADOR BLOW BY ENDURO 2018 0/000.290.9106 (u. 1)
10	<ul style="list-style-type: none"> KIT CILINDRO COMPLETO ENDURO 300 2018 0/R05.190.9100 (u. 1) - 300 CC
	<ul style="list-style-type: none"> KIT CILINDRO COMPLETO ENDURO 200 2019 0/R05.190.9102 (u. 1) - 200 CC
	<ul style="list-style-type: none"> KIT CILINDRO COMPLETO ENDURO 250 2018 0/R05.190.9101 (u. 1) - 250 CC
11	<ul style="list-style-type: none"> TUERCA DIN 6923 ZINC 8.8 ESP.10/150 C13 0/000.340.9105 (u. 4)
12	<ul style="list-style-type: none"> TORN.ESP.+ARAND.5x15 DIN 6921 GEOMET 10.9 0/000.460.9115 (u. 7)
13	<ul style="list-style-type: none"> TAPA VALV.IZQ.EC 2013 0/000.350.9104 (u. 1)
14	<ul style="list-style-type: none"> JUNTA TAPA VAL.IZDA.EC 2013 0/000.490.9113 (u. 1)
15	<ul style="list-style-type: none"> JUNTA CIL.0.15 ME25644010 (u. 1)
16	<ul style="list-style-type: none"> JUNTA CILINDRO 0,5 METALICA CON SILICONA ENDURO 2018 0/000.490.9112 (u. 1)
16A	<ul style="list-style-type: none"> JUNTA CIL.0.3 ME25644009 (u. 1)
17	<ul style="list-style-type: none"> JUNTA ESCAPE ME25644012 (u. 1)
18A	<ul style="list-style-type: none"> DESVAP.CARTER D.3=ME25610012 0/000.630.9105 (u. 2)
19	<ul style="list-style-type: none"> ARANDELA FIBRA 6x10x1,5 0/000.440.9123 (u. 2)
20	<ul style="list-style-type: none"> TUBERA ESCAPE 2005 ME250516019 (u. 1)
23	<ul style="list-style-type: none"> JUNTA TAPA VALVULA RH MR 0/000.490.9124 (u. 2)
24	<ul style="list-style-type: none"> TAPA VALV.DCH.EC300 2014 0/000.350.9108 (u. 1)
25	<ul style="list-style-type: none"> SEPARADOR TAPA VALVULA RH MR 0/000.480.9133 (u. 1)
26	<ul style="list-style-type: none"> ULS TORX 6X14 DIN 7380-1 ZINCADO 10.9 T0566014 (u. 3)
27	<ul style="list-style-type: none"> TORICA TUBERA ESCAPE 44X3 FP (viton) BE250526006 (u. 2)
28	<ul style="list-style-type: none"> EJE VALV.ESCAP LARGO 93mm. ME25616027 (u. 1)
29	<ul style="list-style-type: none"> EJE VALV.ESCAPE CORTO 83mm. ME25616017 (u. 1)
30	<ul style="list-style-type: none"> VALVULA CENTRAL ENDURO 250 2018 ME72005GG-CLK-1 (u. 1)
31	<ul style="list-style-type: none"> VALVULA DERECHA ENDURO 250 2018 ME72000GG-CLK-1 (u. 1)

32	<ul style="list-style-type: none"> VALVULA IZQUIERDA ENDURO 250 2018 ME72010GG-CLK-1 (u. 1) 	
33	<ul style="list-style-type: none"> TORNILLO ISO 7380 Allen M5x10 Cal.10.9 Z/BLANCO 0/000.460.2000 (u. 1) 	
34	<ul style="list-style-type: none"> ARANDELA 5X12X1.5 DIN 125A ZINC 0/000.440.9121 (u. 1) 	
35	<ul style="list-style-type: none"> CTO.PALANCA VALV.ESCAPE EC 2015 0/000.640.9103 (u. 1) 	
36	<ul style="list-style-type: none"> DIST.COJINETE VALV.ESCAPE ME25616036 (u. 1) 	
37	<ul style="list-style-type: none"> RODAM.BOMBA AGUA 6000C3Z =M03313001 0/000.960.9107 (u. 1) 	
40	<ul style="list-style-type: none"> RODA.EJE CENTRI.Y BOMBA 608.Z.C3 0/000.960.9108 (u. 2) 	
41	<ul style="list-style-type: none"> KIT JUNTAS DE CIL.CULATA 300C.C. ME94620CT-CAB-1 (u. 1) - 300cc 	
	<ul style="list-style-type: none"> KIT JUNTAS DE CIL.CULATA 250C.C. ME94620CT-BZX-1 (u. 1) 	
42	<ul style="list-style-type: none"> ALLEN 6X10 8.8 BOB. T0306010 (u. 2) 	OBSOLETA
	<ul style="list-style-type: none"> TORNILLO ALLEN 912 8.8 ZINC 6X10 0/000.460.2009 (u. 2) 	
43	<ul style="list-style-type: none"> ARANDELA 6X18X1.5 DIN 9021 ZINC 0/000.440.9126 (u. 1) 	
44	<ul style="list-style-type: none"> ARANDELA PLANA 6X12X1.5 DIN 125 ZINC 0/000.440.9124 (u. 1) 	
45	<ul style="list-style-type: none"> ARANDELA COBRE 8.5x16x1.5 DIN 125 A ISO 7090 0/000.440.9130 (u. 6) 	
50	<ul style="list-style-type: none"> KIT CILINDRO COMPLETO ENDURO 300 2018 0/R05.190.9100 (u. 1) 	
	<ul style="list-style-type: none"> KIT CILINDRO COMPLETO ENDURO 250 2018 0/R05.190.9101 (u. 1) 	
51	<ul style="list-style-type: none"> ARANDELA COBRE 6X10X1.5 TORN.VAC.AGUA CI 0/000.440.9122 (u. 2) 	
52a	<ul style="list-style-type: none"> CTO.TUBO DESVAPORIZADOR BLOW BY ENDURO 2018 0/000.290.9106 (u. 1) 	
52	<ul style="list-style-type: none"> TUBO RESPIRADERO VALV.S EC-2009 BE733001209 (u. 1) 	
53	<ul style="list-style-type: none"> CTO.VARILLA VALV.ESCAPE COMPLETO EC 2015 0/000.640.9104 (u. 1) 	
54	<ul style="list-style-type: none"> TUERCA M 3.5X0.6 T2503006 (u. 1) 	OBSOLETA
55	<ul style="list-style-type: none"> CTO.VARILLA VALV.ESCAPE COMPLETO EC 2015 0/000.640.9104 (u. 1) 	
56	<ul style="list-style-type: none"> CLIP DE SEGURIDAD ROTULA 0/000.840.9103 (u. 1) 	
58	<ul style="list-style-type: none"> CASQUILLO SEPARADOR COJINETE VALV.ESCAPE 0/000.480.9124 (u. 1) 	

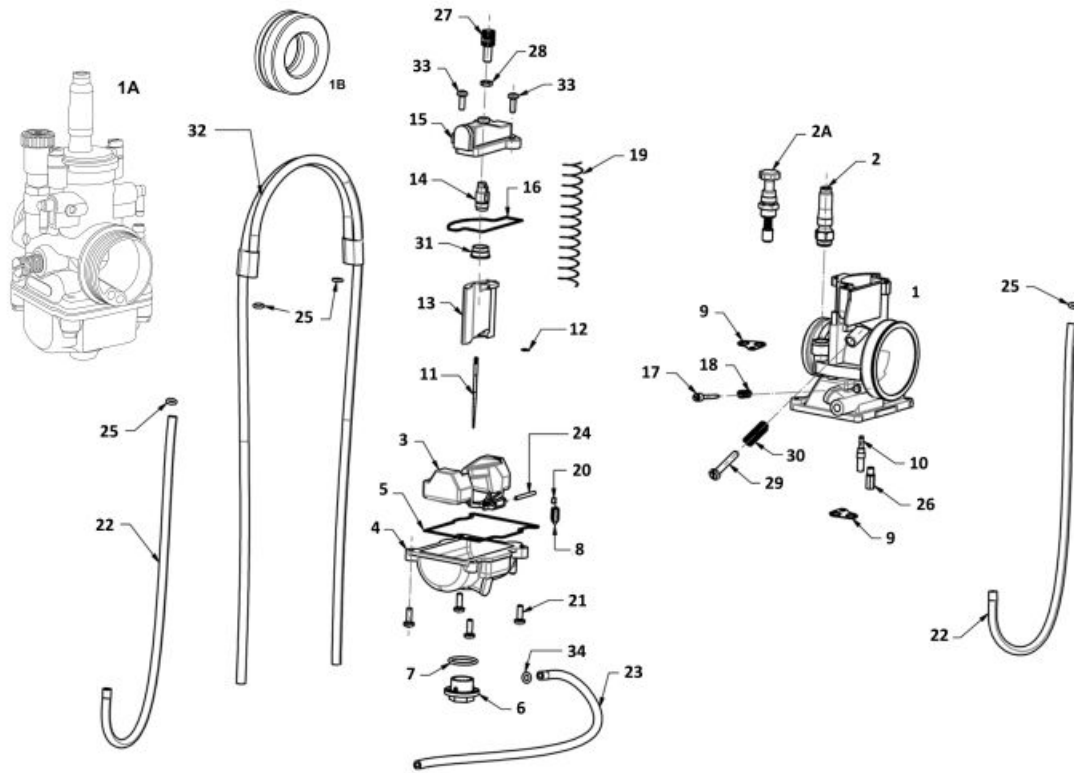
CAMBIO



1	<ul style="list-style-type: none"> ARANDELA 18X31,5X0,7 CAMBIO ME25636014 (u. 2)
2	<ul style="list-style-type: none"> PIÑÓN PRIMARIO II Z-16 ME25636071 (u. 1)
3	<ul style="list-style-type: none"> ANILLO SEGGER DIN 471 DE 25 0/000.300.9107 (u. 3)
4	<ul style="list-style-type: none"> ARANDELA 31,5X(25X22)X1 SEC.3-4 ESTR.CAM ME25636091 (u. 2)
5	<ul style="list-style-type: none"> PIÑÓN PRIMARIO VI Z-24 ME25636074 (u. 1)
6	<ul style="list-style-type: none"> PIÑÓN PRIMARIO III Y IV ME25636072 (u. 1)
7	<ul style="list-style-type: none"> ARANDELA 25,2X31,5X1 CAMBIO ME25636017 (u. 2)
8	<ul style="list-style-type: none"> PIÑÓN PRIMARIO V Z-23 ME25636073 (u. 1)
9	<ul style="list-style-type: none"> COJINETE AGUJAS K25-29-10 0/000.960.9104 (u. 1)
10	<ul style="list-style-type: none"> EJE PRIMARIO EC 250-2002 ME250236070 (u. 1)
11	<ul style="list-style-type: none"> EJE SECUNDARIO EC 08 ME410002508 (u. 1)
12	<ul style="list-style-type: none"> CIRCLIP D.25 DIN 983 =25049255 ME25636095 (u. 1)
13	<ul style="list-style-type: none"> PIÑÓN SECUNDARIO II 7-26 ME42211GG-CSK-1 (u. 1)
14	<ul style="list-style-type: none"> PIÑÓN SECUNDARIO VI Z-19 ME42215GG-CSK-1 (u. 1)
15	<ul style="list-style-type: none"> PIÑÓN SECUNDARIO III Z-24 ME42212GG-CSK-1 (u. 1)
16	<ul style="list-style-type: none"> PIÑÓN SECUNDARIO IV Z-22 ME42213GG-CSK-1 (u. 1)
17	<ul style="list-style-type: none"> PIÑÓN SECUNDARIO V Z-21 ME42214GG-CSK-1 (u. 1)
18	<ul style="list-style-type: none"> ARANDELA 20,8X29X1 CAMBIO ME25636016 (u. 1)
19	<ul style="list-style-type: none"> RODA.AGUJ.K20X24X10 0/000.960.9114 (u. 1)

20	<ul style="list-style-type: none"> PIÑÓN SECUNDARIO I Z-29 ME42210GG-CSK-1 (u. 1)
21	<ul style="list-style-type: none"> CIRCLIP D.25 DIN 471 REBAIXAD D.2 SE03025200009 (u. 1)
22	<ul style="list-style-type: none"> PIÑÓN SALIDA TG421X13T 0/005.400.9112 (u. 1)
22A	<ul style="list-style-type: none"> PIÑÓN SALIDA TG421X12T 0/005.400.9113 (u. 1)
23	<ul style="list-style-type: none"> DOLLA RETEN SALIDA CAMBIO 0/000.260.9100 (u. 1)
24	<ul style="list-style-type: none"> TORICA 25x2 NBR 0/000.490.9107 (u. 2)
25	<ul style="list-style-type: none"> RODAM.CAMBIO 6305 C3 0/000.960.9113 (u. 1)
26	<ul style="list-style-type: none"> RODAM.CAMBIO 6203C3 0/000.960.9112 (u. 2)
27	<ul style="list-style-type: none"> RODAM.CAMBIO 6205-2RSH/C3 0/000.960.9106 (u. 1)
28	<ul style="list-style-type: none"> RETEN TC 30x40x7 DOBLE LABIO.PIÑ.SAL. 0/000.890.9106 (u. 1)
29	<ul style="list-style-type: none"> JAULA AGUJAS KD22x25x9.8 GRUPO CAMBIO 0/005.150.9101 (u. 4)
30	<ul style="list-style-type: none"> ANILLO SEGGER DIN 471 DE 25 0/000.300.9107 (u. 1)
31	<ul style="list-style-type: none"> CTO. CAMBIO MARCHAS 0/005.400.9107 (u. 1)

CARBURADOR

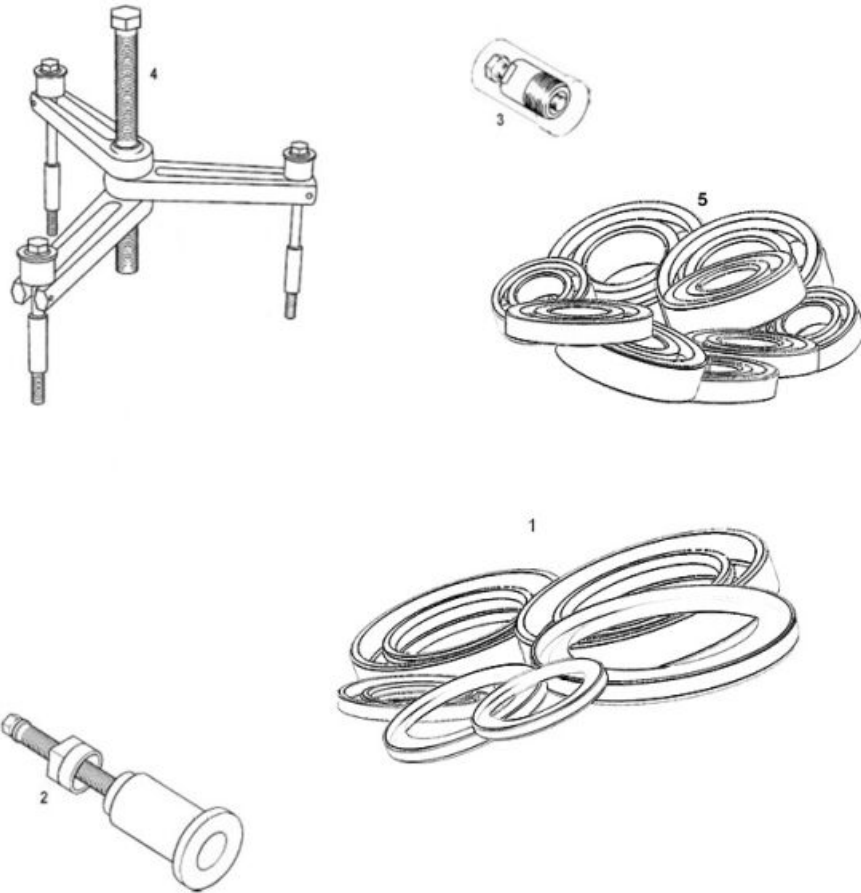


1	<ul style="list-style-type: none"> CARB.KEIHIN PWKS DIAM.36 EC 0/005.155.9101 (u. 1) - 200 CC CARBURADOR KEIHIN PWK 38 MANDO STARTER 10FK-A73Z-0000 0/005.155.9100 (u. 1) - 300 CC
1A	<ul style="list-style-type: none"> CARBURADOR PHBG 21 DS ENDURO 73/33 CAMPANA 40 0/005.155.9103 (u. 1)
1B	<ul style="list-style-type: none"> ADAPTADOR CARBURADOR DELL ORTO ENDURO 2018 0/005.150.9102 (u. 1)
2A	<ul style="list-style-type: none"> MANDO ESTARTER 1166-818-2101 ME25690011 (u. 1)
2	<ul style="list-style-type: none"> PERILLA AHOGADOR ME25000173012 (u. 1)
3	<ul style="list-style-type: none"> BOYA FLOTADOR 1052-856-2101 ME25000183012 (u. 1)
4	<ul style="list-style-type: none"> CUBETA FLOTADOR 1050-898-2102 ME25000193012 (u. 1)
5	<ul style="list-style-type: none"> JUNTA CUBETA FLOTADOR 1051-KZ40-0001 ME25000203012 (u. 1)
6	<ul style="list-style-type: none"> TAP.CUBETA 1018-ND4-7511 ME25690015 (u. 1)
8	<ul style="list-style-type: none"> AGUJA FLOTADOR 1062-814-2103 ME25000213012 (u. 1)
10	<ul style="list-style-type: none"> CHICLE RALENTI Ø40 (PLN3721040) 0/005.991.9107 (u. 1)
10A	<ul style="list-style-type: none"> CHICLE RALENTI 45 0/005.991.9103 (u. 1)
10B	<ul style="list-style-type: none"> CHICLE RALENTI 42 N424-21042 0/005.991.9105 (u. 1)
11C	<ul style="list-style-type: none"> AGUJA NOZH N427-OZH00 ME120690435 (u. 1)

11B	<ul style="list-style-type: none"> AGUJA KEIHIN N1EG (N427-1EG00) ME250290428 (u. 1)
11	<ul style="list-style-type: none"> AGUJA KEIHIN N1EF 0/005.150.9100 (u. 1)
11A	<ul style="list-style-type: none"> AGUJA KEIHIN N1EE (N427-1EE00) ME250290427 (u. 1)
12	<ul style="list-style-type: none"> CLIP AGUJA 16115-169-0040 ME25690021 (u. 1)
13	<ul style="list-style-type: none"> COMPUERTA N°7 N502-66F00 0/005.150.9103 (u. 1)
14	<ul style="list-style-type: none"> FIJADOR AGUJA-CABLE 1101-804-2001 ME25690023 (u. 1)
15	<ul style="list-style-type: none"> TAP.COMPUERTA 1030-A92A-0000 ME25000243012 (u. 1)
16	<ul style="list-style-type: none"> JUNTA TORICA TAP.COMPUERTA 1202-882-6000 ME25000253012 (u. 1)
17	<ul style="list-style-type: none"> TORN.REGUL. ME25000263012 (u. 1)
18	<ul style="list-style-type: none"> MUELLE TORN.REGUL.AIRE 1300-416H-9900 ME25000273012 (u. 1)
19	<ul style="list-style-type: none"> MUELLE COMPUERTA 1290-A53-2000 ME25000283012 (u. 1)
20	<ul style="list-style-type: none"> CLIP NIVEL FLOTADOR 0405-019-1000 ME25690027 (u. 1)
21	<ul style="list-style-type: none"> TORN.CUBETA 93500-04014-1H ME25000293012 (u. 4)
22	<ul style="list-style-type: none"> TUBO RESPIRADERO 0803-868-0000 ME25000303012 (u. 2)
23	<ul style="list-style-type: none"> TUBO RESPIRADERO-2 0803-869-0000 ME25000313012 (u. 1)
24	<ul style="list-style-type: none"> EJE FLOTADOR W9525-25250 ME25690033 (u. 1)
25	<ul style="list-style-type: none"> CLIP TUBO RESPIRADERO W9535-35000 ME25690034 (u. 4)
26	<ul style="list-style-type: none"> CHICLE ALTA Ø170 (KEA170) 0/005.991.9106 (u. 1) CHICLE ALTA 175 (99101-357-1750) 0/005.991.9104 (u. 1)
27	<ul style="list-style-type: none"> TENSOR CABLE W9581-59250 ME25000323012 (u. 1)
28	<ul style="list-style-type: none"> TUERCA TENSOR CABLE 1793-130H-9900 ME25000333012 (u. 1)
29	<ul style="list-style-type: none"> TORN.REGUL.RALENTI 1034-853-2000 ME25690038 (u. 1)
30	<ul style="list-style-type: none"> MUELLE TORN.REG.1290-963-2000 ME25690039 (u. 1)
31	<ul style="list-style-type: none"> CASQ.MUELLE COMP.1118-929-7000 ME25690040 (u. 1)
32	<ul style="list-style-type: none"> TUBO VENTILACIÒN 0803-862-0100 ME25000343012 (u. 1)
33	<ul style="list-style-type: none"> TORN.TAP.COMPUERTA ME25000353012 (u. 2)
34	<ul style="list-style-type: none"> CLIP TUBO RESPIRADERO-2 W9535-25000 ME25000363012 (u. 1)
35	<ul style="list-style-type: none"> CTO.TOPE MANDO DE GAS CARBURADOR 2006 ME250690010 (u. 1)

OBSOLETA

HERRAMIENTAS MOTOR



1	<ul style="list-style-type: none"> ● KIT RETENES EC-250/300 2010 ME906002510 (u. 1) 	
2	<ul style="list-style-type: none"> ● EXTRACTOR COJINETE CIGUEÑAL ME25950000 (u. 1) 	OBSOLETA
3	<ul style="list-style-type: none"> ● EXTRACTOR VOL.MAG.N.TRIAL 2002 MT280234045 (u. 1) 	
4	<ul style="list-style-type: none"> ● EXTRACTOR CARTER ME25950005 (u. 1) 	OBSOLETA
5	<ul style="list-style-type: none"> ● KIT COJINETES MOTOR EC 250 300 2018 ME90500CT-CLJ-1 (u. 1) 	