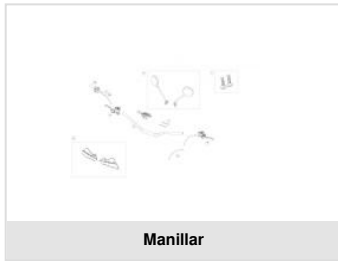


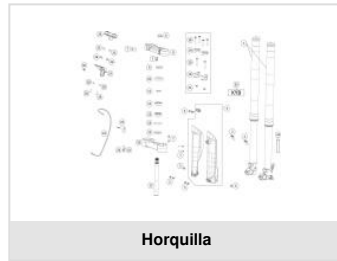


# MR 300 RACING BLACK 2023

## Exploded



**Manillar**



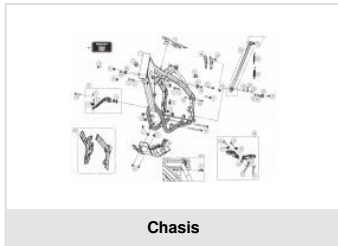
**Horquilla**



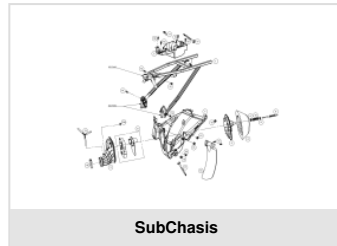
**Repuestos Horquilla**



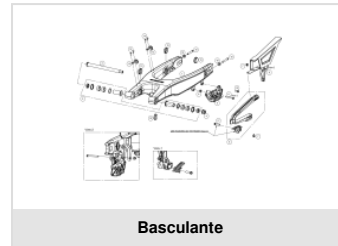
**Herramientas KYB**



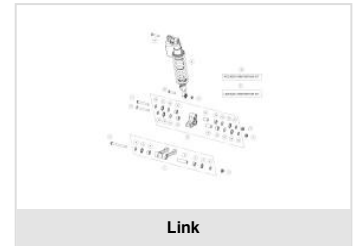
**Chasis**



**SubChasis**



**Basculante**



**Link**



**Amortiguador**



**Radiador**



**Parte Eléctrica**



**Guardabarros delantero**



**Faro Delantero**



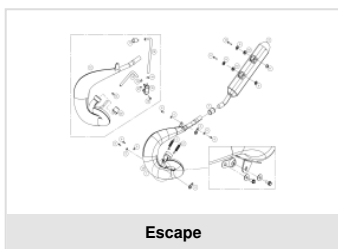
**Depósito**



**Plástica Trasera**



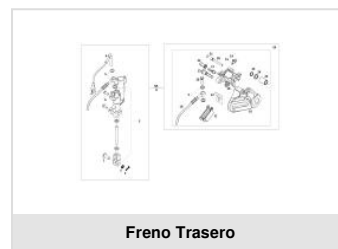
**Adhesivos**



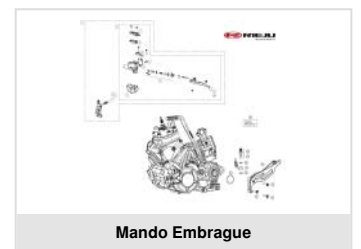
**Escape**



**Freno Delantero**



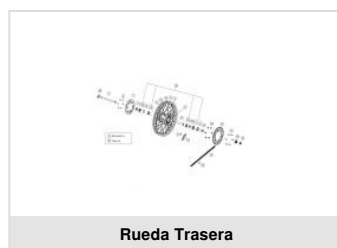
**Freno Trasero**



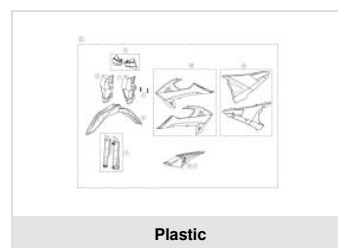
**Mando Embrague**



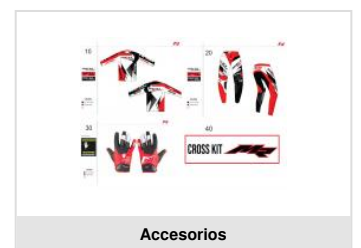
**Rueda Delantera**



**Rueda Trasera**



**Plastic**



**Accesorios**



**Kit Electroventilador**

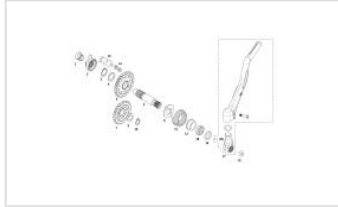


**CALCA ESCAPE**

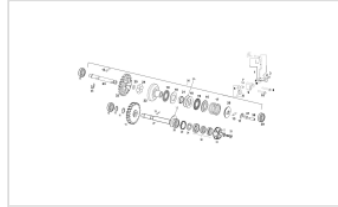


**CALCAS LENTICULAR LATERAL**

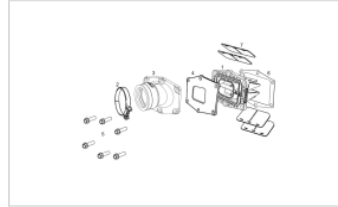
**ENGINE MR 2022 V1**



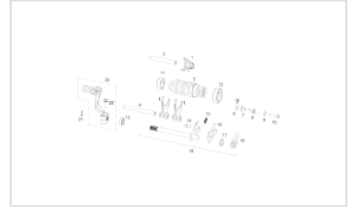
**PALANCA ARRANQUE**



**BOMBA DE AGUA**



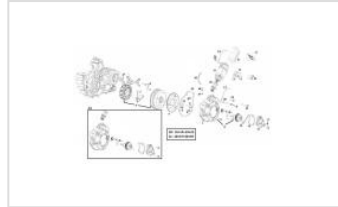
**VALVULA DE LAMINAS**



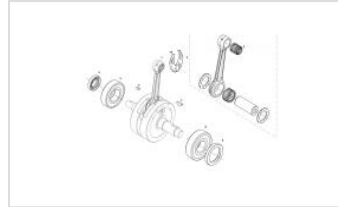
**EJE DE CAMBIO**



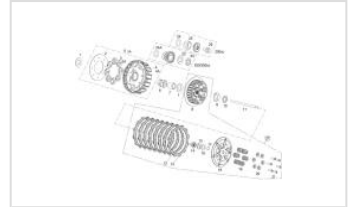
**CARTER**



**GENERADOR - ARRANQUE ELECTRICO**



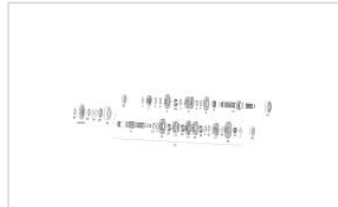
**CIGÜEÑAL**



**EMBRAGUE**



**CILINDRO**



**CAMBIO**

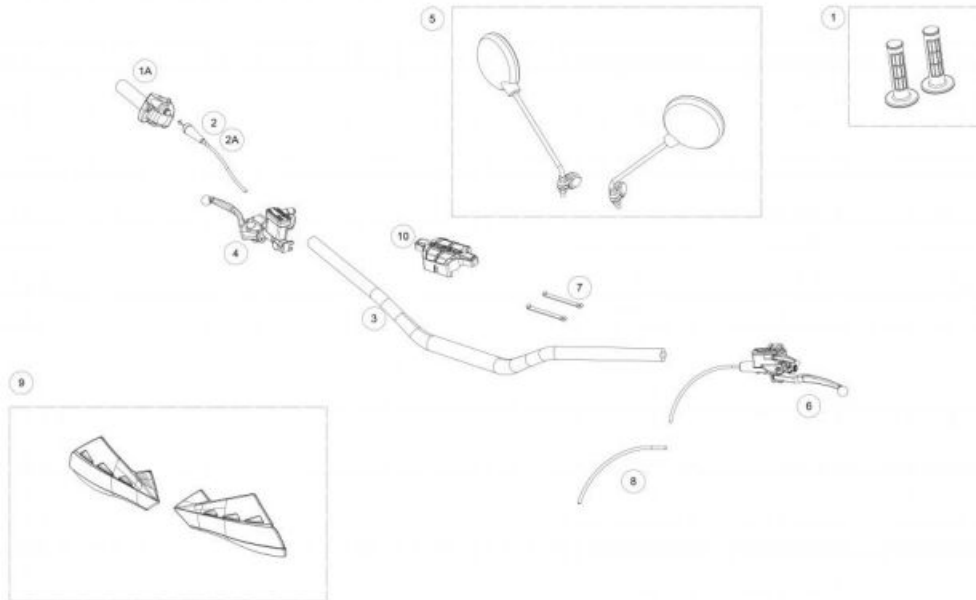


**CARBURADOR**



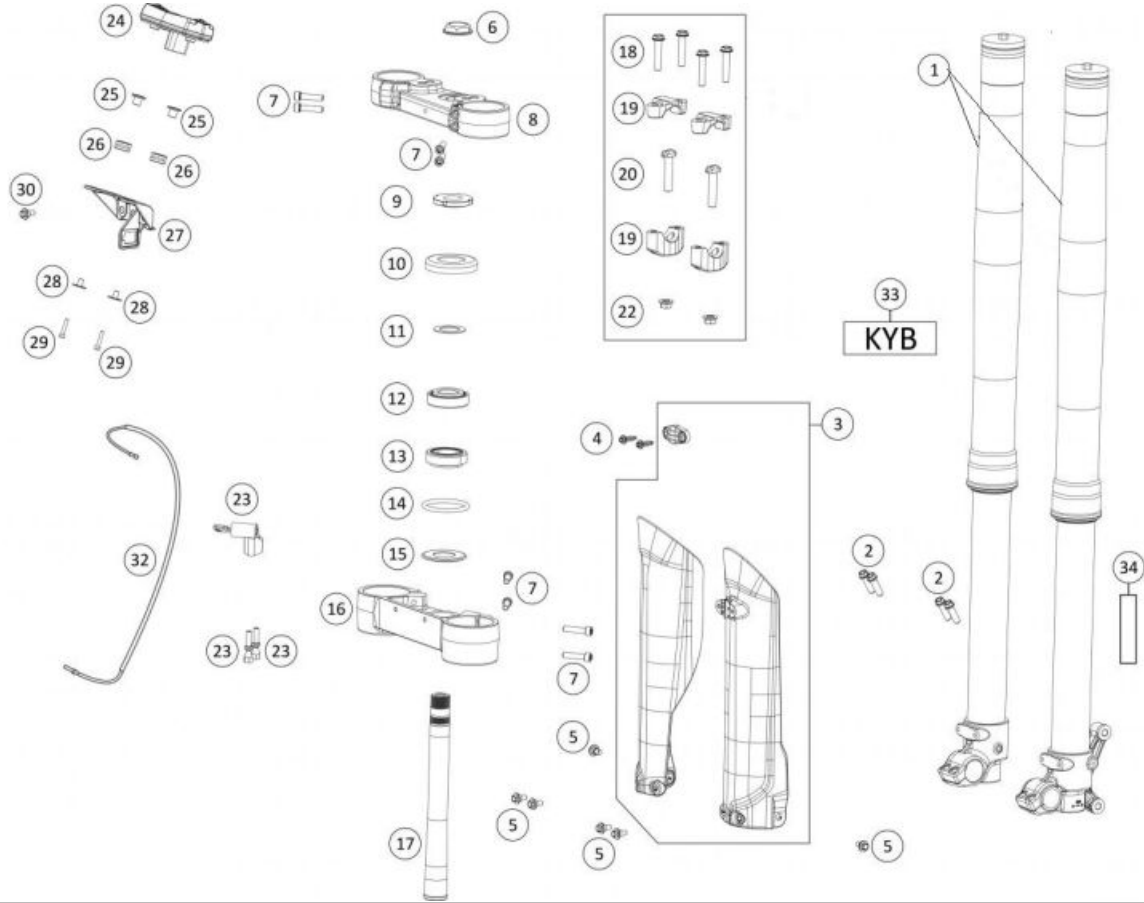
**HERRAMIENTAS MOTOR**

**Manillar**



1	<ul style="list-style-type: none"> <li>JUEGO EMPUÑADURAS NEGRO 0/000.530.9101 (u. 1)</li> </ul>
1A	<ul style="list-style-type: none"> <li>PUÑO GAS TT (3291.03.00-1) 0/000.530.9100 (u. 1)</li> </ul>
2	<ul style="list-style-type: none"> <li>CABLE DE GAS ENDURO 2018 0/000.550.9101 (u. 1)</li> </ul>
2A	<ul style="list-style-type: none"> <li>CABLE DE GAS ENDURO 2018 DE HOMOLOGACION 0/000.550.9102 (u. 1)</li> </ul>
3	<ul style="list-style-type: none"> <li>MANILLAR ENDURO SIN BARRA 2019 0/000.170.9101 (u. 1)</li> </ul>
4	<ul style="list-style-type: none"> <li>BOMBA FRENO DEL.NISSIN=BC25922008/2 0/000.820.9106 (u. 1)</li> </ul>
5	<ul style="list-style-type: none"> <li>CTO.ESPEJO RETROVISOR(REG 81) 0/000.990.9100 (u. 1)</li> </ul>
6	<ul style="list-style-type: none"> <li>CTO.EMBR.EC MAGURA 9.5 (167) 0/000.830.9101 (u. 1)</li> </ul>
7	<ul style="list-style-type: none"> <li>ABRAZADERA LARGA FIJ.INST.2237 0/000.680.0060 (u. 2)</li> <li>GOMA SUJ.CABLEADOS 0/000.360.9110 (u. 2)</li> </ul>
8	<ul style="list-style-type: none"> <li>CABLE STARTER ENDURO 2018 0/000.550.9100 (u. 1)</li> </ul>
9	<ul style="list-style-type: none"> <li>CTO. PARAMANOS POLISPORT BL.S BE90000223012 (u. 1)</li> </ul>
10	<ul style="list-style-type: none"> <li>ESPUMA MANILLAR MR 2020 0/000.220.9105 (u. 1)</li> </ul>

**Horquilla**



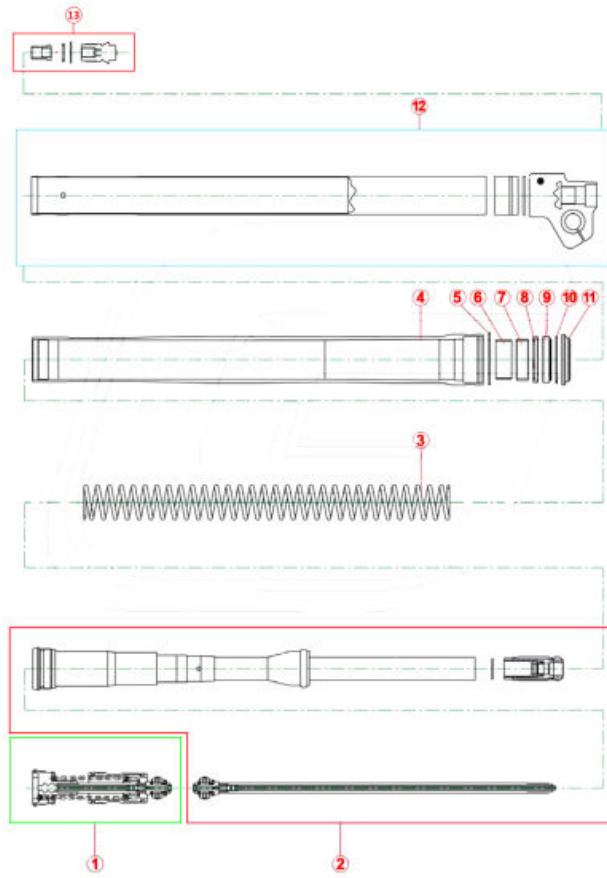
1	<ul style="list-style-type: none"> <li>CJTO. SUSPENSION MR RACING 0/K00.130.9100 (u. 1)</li> </ul>
2	<ul style="list-style-type: none"> <li>TORN.ESP. DIN 6921 Hex.10 M8x25 Cal.10.9 GEOMET 0/000.460.9137 (u. 4)</li> </ul>
3	<ul style="list-style-type: none"> <li>JUEGO PROT.HORQ. NEGRO MR 0/000.220.9118 (u. 1)</li> </ul>
4	<ul style="list-style-type: none"> <li>TORNILLO DEPOSITO - SILLIN Ø6x23 0/000.460.9177 (u. 2)</li> </ul>
	<ul style="list-style-type: none"> <li>TORNILLO ESPECIAL ROSCA PLASTICO CABOTA HEXAGONAL CON ARANDELA 6X20 T0806020 (u. 2)</li> </ul>
	<ul style="list-style-type: none"> <li>TORNILLO DEPÓSITO - SILLÍN Ø6x23 (EJOT ref. 05100519) T0806023 (u. 2)</li> </ul>
5	<ul style="list-style-type: none"> <li>TORN. ESP. ROSCA PLASTICO Hex.6 C/Arandela 6x20 0/000.460.9178 (u. 2)</li> </ul>
	<ul style="list-style-type: none"> <li>TORN.ESP. DIN 6921 Hex.8 C/Centrador M6x8 0/000.460.9162 (u. 6)</li> </ul>
6	<ul style="list-style-type: none"> <li>TUERCA DIR.SUP. 0/000.340.9102 (u. 1)</li> </ul>
7	<ul style="list-style-type: none"> <li>ALLEN 7X30 DIN 912 ZINC 12.9 0/000.460.9151 (u. 10)</li> </ul>
8	<ul style="list-style-type: none"> <li>BRIDA SUP.SUSP.NG. 0/000.660.9102 (u. 1)</li> </ul>
9	<ul style="list-style-type: none"> <li>TUERCA DIRECCION INFERIOR 0/000.340.9101 (u. 1)</li> </ul>
10	<ul style="list-style-type: none"> <li>GUARDAPOLVO COJ.DIR.TT NEGRO 0/000.200.9100 (u. 1)</li> </ul>
11	<ul style="list-style-type: none"> <li>ARANDELA DIR.INF. 0/000.440.9101 (u. 1)</li> </ul>

OBSOLETA

12	<ul style="list-style-type: none"> <li>COJINETE DIR.30205A 0/000.960.9101 (u. 1)</li> </ul>
13	<ul style="list-style-type: none"> <li>COJINETE DIR.INF.320/28 0/000.960.9100 (u. 1)</li> </ul>
14	<ul style="list-style-type: none"> <li>TORICA DIR.50X5 0/000.490.9102 (u. 1)</li> </ul>
15	<ul style="list-style-type: none"> <li>CAZOLETA DIR.D28 0/000.200.9101 (u. 1)</li> </ul>
16	<ul style="list-style-type: none"> <li>BRIDA INF.SUSP.NG. 0/000.660.9100 (u. 1)</li> </ul>
17	<ul style="list-style-type: none"> <li>EJE DIRECCION 0/000.190.9100 (u. 1)</li> </ul>
18	<ul style="list-style-type: none"> <li>TORN.ESP. DIN 6921 Hex.10 M8x40 Fil.31 Cal.10.9 GE 0/000.460.9140 (u. 4)</li> </ul>
19	<ul style="list-style-type: none"> <li>KIT PUENTES SUPERIOR MANILLAR ANODIZADO NATURAL MR 0/K00.350.9101 (u. 1)</li> </ul>
20	<ul style="list-style-type: none"> <li>TORN.ESP.10X45 BRIDA INF. G5 12.9 0/000.460.9113 (u. 2)</li> </ul>
22	<ul style="list-style-type: none"> <li>TUERCA DIN 6926 M10 Cal.8 Z/BLANCO 0/000.340.0182 (u. 2)</li> </ul>
	<ul style="list-style-type: none"> <li>TUERCA AUTOB.M10 PASO 1.50 ARAND. DIN 6926 ZINC 8 0/000.340.9124 (u. 2)</li> </ul>
23	<ul style="list-style-type: none"> <li>KIT BLOQUEO DIRECCION ENDURO 2018 BE15025CT-CLJ-1 (u. 1)</li> </ul>
24	<ul style="list-style-type: none"> <li>CTO.MULTIFUNCION "EVEREST" EC 2018 0/001.000.9100 (u. 1)</li> </ul>
25	<ul style="list-style-type: none"> <li>ARANDELA SCHNORR M4 INOX 0/000.440.0043 (u. 2)</li> </ul>
	<ul style="list-style-type: none"> <li>ARANDELA ALA ANCHA DIN 522 M4 INOX 0/000.440.0044 (u. 2)</li> </ul>
26	<ul style="list-style-type: none"> <li>GOMA SILENTBLOCK CUENTA KM 0/000.360.4002 (u. 2)</li> </ul>
27	<ul style="list-style-type: none"> <li>SOPORTE MULTIFUNCION EC 2018 0/000.980.9108 (u. 1)</li> </ul>
28	<ul style="list-style-type: none"> <li>CASQUILLO MARCADOR MR 0/000.480.9130 (u. 2)</li> </ul>
29	<ul style="list-style-type: none"> <li>TORNILLO ISO 7380 Torx T-20 M4x20 INOX 0/000.460.0079 (u. 2)</li> </ul>
30	<ul style="list-style-type: none"> <li>TORN.ESP. DIN 6921 Hex.8 C/Centrador M6x7 0/000.460.9161 (u. 1)</li> </ul>
32	<ul style="list-style-type: none"> <li>SENSOR CUENTA KM ENDURO 0/001.010.9100 (u. 1)</li> </ul>
33	<ul style="list-style-type: none"> <li>ADHESIVO SUSPENSION ROJO KYB 200 x 87 mm 0/000.390.9142 (u. 1)</li> </ul>
	<ul style="list-style-type: none"> <li>KIT ADH.BARRAS KAYABA ENDURO 2018 BE95285GG-CLJ-1 (u. 1)</li> </ul>
34	<ul style="list-style-type: none"> <li>CATADRIOPTICO ADHESIVO (8159) 0/000.630.9102 (u. 2)</li> </ul>

OBSOLETA

**Repuestos Horquilla**

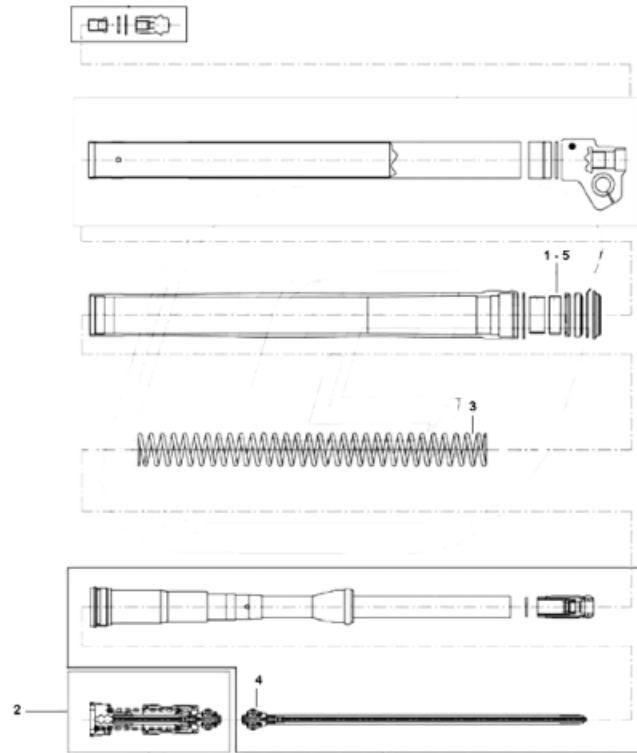


1	<ul style="list-style-type: none"> <li>CTO.TAPON CARTUCHO SUSPENSION KAYABA ENDURO BE20240CT-CLJ-1 (u. 1)</li> </ul>
2	<ul style="list-style-type: none"> <li>CTO.HIDRAULICO SUSPENSION KAYABA ENDURO BE20220GG-CLJ-1 (u. 1)</li> </ul>
3A	<ul style="list-style-type: none"> <li>MUELLE SUSPENSION 4.0 KAYABA ENDURO BE20170CT-CLJ-1 (u. 2)</li> </ul>
3B	<ul style="list-style-type: none"> <li>MUELLE SUSPENSION 4.2 KAYABA ENDURO BE20171CT-CLJ-1 (u. 2)</li> </ul>
3C	<ul style="list-style-type: none"> <li>MUELLE SUSPENSION 4.4 KAYABA ENDURO BE20172CT-CLJ-1 (u. 2)</li> </ul>
4	<ul style="list-style-type: none"> <li>CTO.BOTELLA SUSPENSION KAYABA ENDURO BE20100CT-CLJ-1 (u. 1)</li> </ul>
5	<ul style="list-style-type: none"> <li>ANILLO RETENCION SUSPENSION KAYABA ENDURO BE20145GG-CLJ-1 (u. 1)</li> </ul>
6	<ul style="list-style-type: none"> <li>GLACIER BOTELLA SUSPENSION KAYABA ENDURO BE20150GG-CLJ-1 (u. 1)</li> </ul>
7	<ul style="list-style-type: none"> <li>GLACIER BARRA SUSPENSION KAYABA ENDURO BE20151GG-CLJ-1 (u. 1)</li> </ul>
8	<ul style="list-style-type: none"> <li>ARANDELA SUSPENSION KAYABA ENDURO BE20186GG-CLJ-1 (u. 1)</li> </ul>
9	<ul style="list-style-type: none"> <li>CTO.RETENES SUSPENSION KAYABA ENDURO BE20140CT-CLJ-1 (u. 1)</li> </ul>
10	<ul style="list-style-type: none"> <li>CTO. CIRCLIP SUSPENSION KAYABA ENDURO BE20135GG-CLJ-1 (u. 1)</li> </ul>
11	<ul style="list-style-type: none"> <li>CTO.GUARDAPOLVO SUSPENSION KAYABA ENDURO BE20130CT-CLJ-1 (u. 1)</li> </ul>
12A	<ul style="list-style-type: none"> <li>CTO.BARRA SUSPENSION DERECHA KAYABA ENDURO BE20110CT-CLJ-1 (u. 1)</li> </ul>

<b>12B</b>	● CTO.BARRA SUSPENSION IZQUIERDA KAYABA ENDURO BE20115CT-CLJ-1 (u. 1)
<b>13</b>	● TAPON REGULACION EXTENSION SUSPENSION KAYABA ENDURO BE20120GG-CLJ-1 (u. 1)

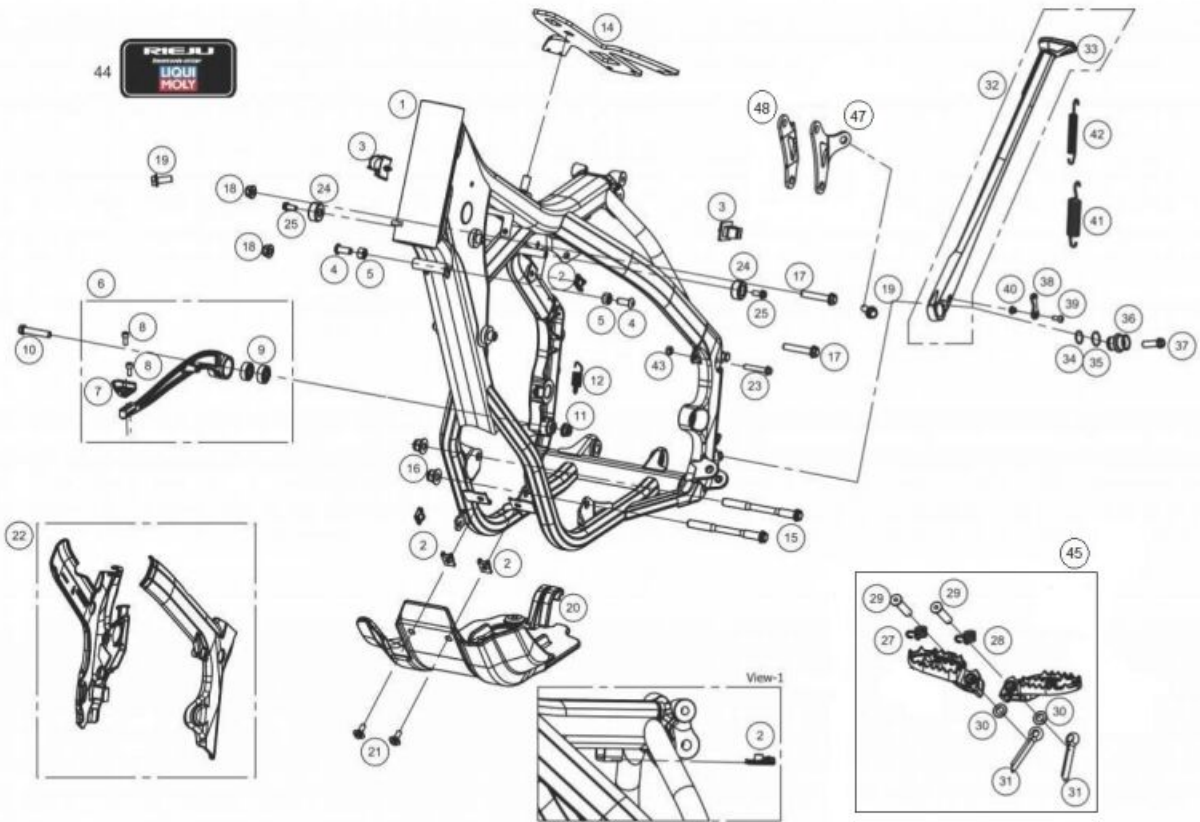


## Herramientas KYB



- |   |  |
|---|--|
| 1 | <ul style="list-style-type: none"> <li>● UTIL RETEN SUSPENSION KAYABA ENDURO<br/>BE20225GG-CLJ-1 (u. 1)</li> </ul>                 |
| 2 | <ul style="list-style-type: none"> <li>● LLAVE TAPON SUSPENSION KAYABA ENDURO<br/>BE21105GG-CLJ-1 (u. 1)</li> </ul>                |
| 3 | <ul style="list-style-type: none"> <li>● UTIL SOPORTE PISTON AJUSTE SUSPENSION KAYABA ENDURO<br/>BE20230GG-CLJ-1 (u. 1)</li> </ul> |
| 4 | <ul style="list-style-type: none"> <li>● LLAVE TAPON CARTUCHO SUSPENSION KAYABA ENDURO<br/>BE21106GG-CLJ-1 (u. 1)</li> </ul>       |
| 5 | <ul style="list-style-type: none"> <li>● UTIL INSERTADOR RETEN SUSPENSION KAYABA ENDURO<br/>BE20235GG-CLJ-1 (u. 1)</li> </ul>      |

**Chasis**

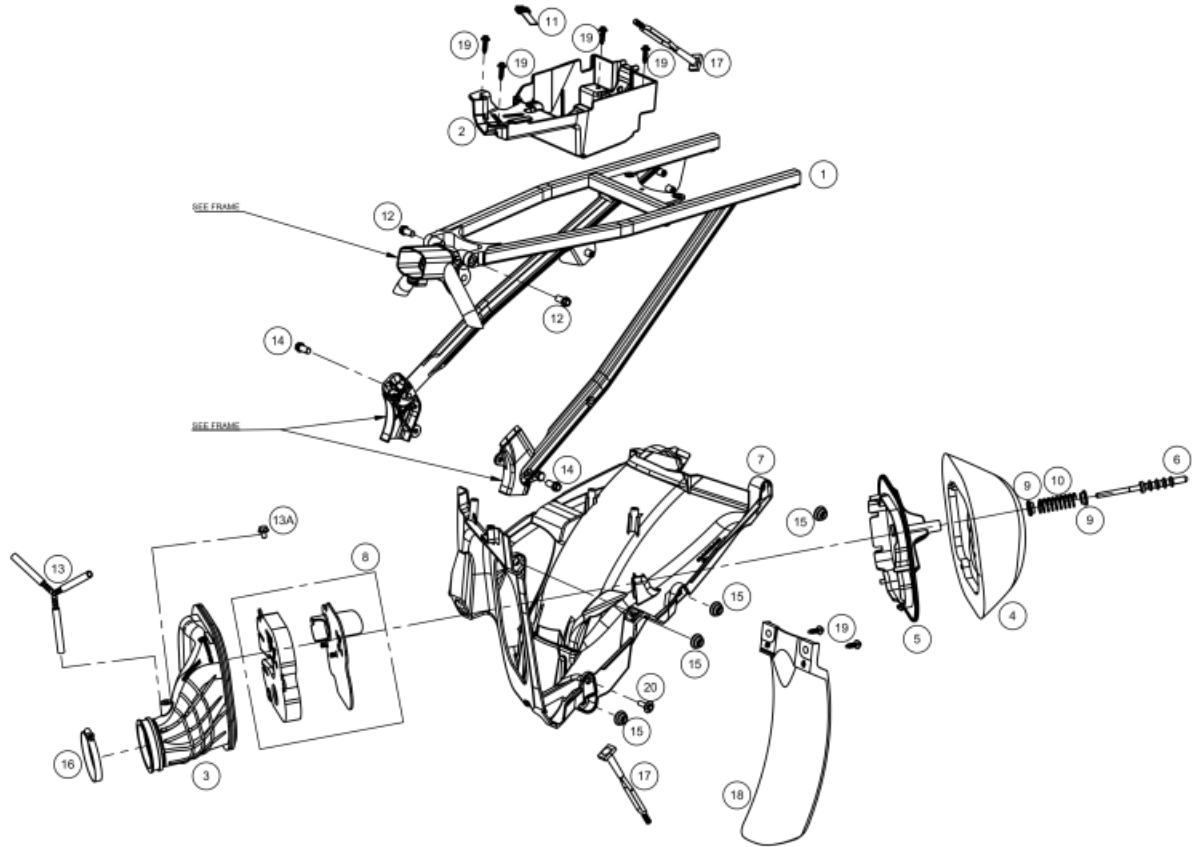


- |    |   |
|----|---|
| 1  | <ul style="list-style-type: none"> <li>● CHASIS EC 250 300 2T 2018 NEGRO<br/>0/000.010.9100 (u. 1)</li> </ul>               |
| 2  | <ul style="list-style-type: none"> <li>● TUERCA NUT 956 RAPIDA M-6 HRc 40/48<br/>0/000.340.9120 (u. 5)</li> </ul>           |
| 3  | <ul style="list-style-type: none"> <li>● CLIP (1E3J) SUJECIÓN INSTALACIÓN ENDURO 2018<br/>0/000.630.9100 (u. 2)</li> </ul>  |
| 4  | <ul style="list-style-type: none"> <li>● ULS 8x25 ISO 7380-1 ZN 10.9<br/>0/000.460.9157 (u. 2)</li> </ul>                   |
| 5  | <ul style="list-style-type: none"> <li>● TUERCA tope DIR.M8x13x8 ISO 4033 ZINC<br/>0/000.340.9109 (u. 2)</li> </ul>         |
| 6  | <ul style="list-style-type: none"> <li>● PEDAL FRENO ENDURO 2018<br/>0/000.730.9100 (u. 1)</li> </ul>                       |
| 7  | <ul style="list-style-type: none"> <li>● PUNTERA PEDAL FRENO<br/>BE130102510 (u. 1)</li> </ul>                              |
| 9  | <ul style="list-style-type: none"> <li>● RODAMIENTO 628-2RS<br/>BE13025GG-CLJ-1 (u. 2)</li> </ul>                           |
| 10 | <ul style="list-style-type: none"> <li>● TORNILLO DIN 912 Allen M8x45 Cal.8.8 Z/BLANCO<br/>0/000.460.0382 (u. 1)</li> </ul> |
| 11 | <ul style="list-style-type: none"> <li>● TUERCA DIN 6926 M8 Cal.8 Z/BLANCO<br/>0/000.340.0180 (u. 1)</li> </ul>             |
| 12 | <ul style="list-style-type: none"> <li>● MUELLE PEDAL FRENO 2014<br/>0/000.470.9100 (u. 1)</li> </ul>                       |
| 14 | <ul style="list-style-type: none"> <li>● GOMA PROT.DEP.GASOL.ENDURO 2018<br/>0/000.220.9116 (u. 1)</li> </ul>               |
| 15 | <ul style="list-style-type: none"> <li>● TORNILLO MOTOR M10x113 GEOMET 10.9<br/>0/000.460.9132 (u. 2)</li> </ul>            |
| 16 | <ul style="list-style-type: none"> <li>● TUERCA AUTOB.M10 PASO 1.25 ZINC 8<br/>0/000.340.9123 (u. 2)</li> </ul>             |

17	<ul style="list-style-type: none"> <li>TORN.ESP. DIN 6921 Hex.10 M8x50 Fil.20 Cal.10.9 GE 0/000.460.9141 (u. 1)</li> </ul>	
19	<ul style="list-style-type: none"> <li>TORN.ESP. DIN 6921 Hex.10 M8x20 Cal.10.9 GEOMET 0/000.460.9136 (u. 4)</li> </ul>	
	<ul style="list-style-type: none"> <li>TUERCA DIN 6927 M8 Cal.8 Z/BLANCO 0/000.340.0188 (u. 4)</li> <li>ARANDELA PLANA DIN 125/A M8 Z/BLANCO 0/000.440.0160 (u. 4)</li> </ul>	
20	<ul style="list-style-type: none"> <li>PROT.CARTER ENDURO 2018 CON TORNILLERIA 0/R00.220.9100 (u. 1)</li> </ul>	
21	<ul style="list-style-type: none"> <li>TORN.ESP. DIN 6921 Hex.8 C/Centrador M6x12 0/000.460.9101 (u. 2)</li> </ul>	
22	<ul style="list-style-type: none"> <li>KIT PROTECTORES LATERALES CHASIS MR NEGROS 0/K00.220.9103 (u. 1)</li> </ul>	
23	<ul style="list-style-type: none"> <li>TORN.ESP. DIN 6921 Hex.8 M6x35 Cal.10.9 GEOMET 0/000.460.9124 (u. 1)</li> </ul>	
24	<ul style="list-style-type: none"> <li>SILENTBLOCK+ARANDELA DEP.GASOL. 0/000.360.9106 (u. 2)</li> </ul>	
25	<ul style="list-style-type: none"> <li>TORN.ESP. DIN 6921 Hex.8 M6x14 Cal.10.9 GEOMET 0/000.460.9118 (u. 2)</li> </ul>	
27	<ul style="list-style-type: none"> <li>MUELLE ESTRIBO DCH. 0/000.470.9101 (u. 1)</li> </ul>	<b>OBSOLETA</b>
28	<ul style="list-style-type: none"> <li>MUELLE ESTRIBO IZQ. 0/000.470.9102 (u. 1)</li> </ul>	
	<ul style="list-style-type: none"> <li>MUELLE ESTRIBERA PILOTO RH&amp;LH 0/000.470.9113 (u. 1)</li> </ul>	
29	<ul style="list-style-type: none"> <li>CASQUILLO PASADOR ESTRIBOS 0/000.480.9101 (u. 2)</li> </ul>	
30	<ul style="list-style-type: none"> <li>ARANDELA 10.5 X 20 X 2 ZINCADA DIN 125 0/000.440.9133 (u. 2)</li> </ul>	
31	<ul style="list-style-type: none"> <li>PASADOR CLAVIJA DIN 94 0/000.840.9100 (u. 2)</li> </ul>	
32	<ul style="list-style-type: none"> <li>CJTO. CABALLETE MR RACING COMPLETO 0/K00.210.9100 (u. 1)</li> </ul>	
33	<ul style="list-style-type: none"> <li>BASE DEL CABALLETE ENDURO 2018 0/000.570.9100 (u. 1)</li> </ul>	
34	<ul style="list-style-type: none"> <li>TORICA CASQUILLO CABALLETE 15x1,5 0/000.490.9100 (u. 1)</li> </ul>	
35	<ul style="list-style-type: none"> <li>TORICA CASQUILLO CABALLETE 17x1,5 0/000.490.9101 (u. 1)</li> </ul>	
36	<ul style="list-style-type: none"> <li>CASQ.SUJ.CABALLETE ENDURO 2018 0/000.480.9102 (u. 1)</li> </ul>	
	<ul style="list-style-type: none"> <li>CASQUILLO CABALLETE COMPETICIÓN 0/000.480.9129 (u. 1) - <i>NO HOMOLOG</i></li> </ul>	
37	<ul style="list-style-type: none"> <li>TORN.ESP. DIN 6921 Hex.10 M8x25 Cal.10.9 GEOMET 0/000.460.9137 (u. 1)</li> </ul>	
	<ul style="list-style-type: none"> <li>TORNILLO ISO 7380 Torx T-40 M8x25 INOX 0/000.460.0081 (u. 1) - <i>NO HOMOLOG</i></li> </ul>	
38	<ul style="list-style-type: none"> <li>LLEVA CABALLETE ENDURO 2018 0/000.830.9100 (u. 1)</li> </ul>	
39	<ul style="list-style-type: none"> <li>TORNILLO ISO 7380 Torx T-25 con arandela M5x16 INOX 0/000.460.0083 (u. 1)</li> </ul>	
40	<ul style="list-style-type: none"> <li>CASQUILLO LLEVA CABALLETE ENDURO 0/000.480.9103 (u. 1)</li> </ul>	
41	<ul style="list-style-type: none"> <li>MUELLE EXTERIOR CABALLETE ENDURO 2018 0/000.470.9103 (u. 1)</li> </ul>	

42	● MUELLE INTERIOR CABALLETE ENDURO 2018 0/000.470.9104 (u. 1)	
43	● TUERCA AUTOBL.BAJA M-6 DIN 985 ZN CR3 6 0/000.340.9113 (u. 1)	
44	● CALCA RECOMENDACIÓN ACEITE 0/000.390.0000 (u. 1)	<b>OBSOLETA</b>
45	● KIT ESTRIBERAS MR RACING / MR RANGER 0/K00.740.9101 (u. 1)	
47	● TIRANTE CULATA LH MR 2022 0/000.980.9126 (u. 1)	
48	● TIRANTE CULATA RH MR 2022 0/000.980.9125 (u. 1)	

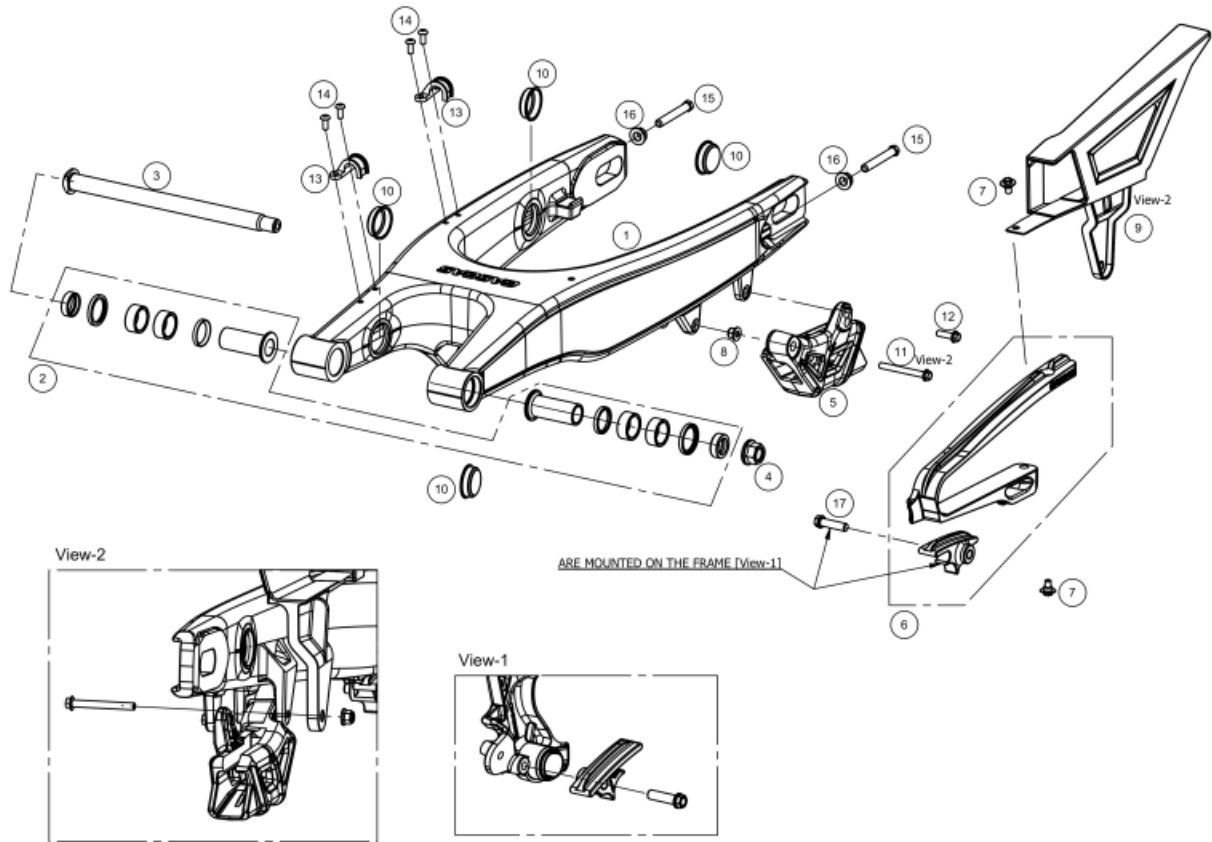
## SubChasis



1	<ul style="list-style-type: none"> <li>KIT SUBCHASIS MR 2024</li> <li>0/K00.010.9102 (u. 1)</li> </ul>
2	<ul style="list-style-type: none"> <li>SOP.BATERIA -CDI-RELE ARRANQUE EC 2018</li> <li>0/000.570.9101 (u. 1)</li> </ul>
3	<ul style="list-style-type: none"> <li>TUBERA C.FILTRO.EC 2018</li> <li>0/000.360.9113 (u. 1)</li> </ul>
4	<ul style="list-style-type: none"> <li>FILTRO AIRE EC 2018 (OEM158084X)</li> <li>0/001.070.9100 (u. 1)</li> </ul>
5	<ul style="list-style-type: none"> <li>ARAÑA FILTRO EC 2018</li> <li>0/000.570.9104 (u. 1)</li> </ul>
6	<ul style="list-style-type: none"> <li>VARILLA SOP.FILTRO DE AIRE</li> <li>0/000.980.9117 (u. 1)</li> </ul>
7	<ul style="list-style-type: none"> <li>C.FILTRO.ENDURO 2018</li> <li>0/000.570.9103 (u. 1)</li> </ul>
8	<ul style="list-style-type: none"> <li>KIT RESTRICTOR FILTRO DE AIRE</li> <li>BE79800CT-CLJ-1 (u. 1)</li> </ul>
9	<ul style="list-style-type: none"> <li>ARAND.NYLON TOPE MUELLE C.FILTRO.EC-2007</li> <li>0/000.440.9100 (u. 2)</li> </ul>
10	<ul style="list-style-type: none"> <li>MUELLE VARILLA C.FILTRO.EC-2007</li> <li>0/000.470.9105 (u. 1)</li> </ul>
11	<ul style="list-style-type: none"> <li>GOMA SUJ.CDI</li> <li>0/000.360.9101 (u. 1)</li> </ul>
12	<ul style="list-style-type: none"> <li>TORN.ESP. DIN 6921 Hex.10 M8x25 Cal.10.9 GEOMET</li> <li>0/000.460.9137 (u. 2)</li> </ul>
13A	<ul style="list-style-type: none"> <li>TORN.ESP.DE PLASTICO NG.M6X12</li> <li>0/000.460.9109 (u. 1)</li> </ul>
13	<ul style="list-style-type: none"> <li>CTO.TUBO DESVAPORIZADOR BLOW BY ENDURO 2018</li> <li>0/000.290.9106 (u. 1)</li> </ul>

14	<ul style="list-style-type: none"> <li>TORN.ESP. DIN 6921 Hex.10 M8x16 Cal.10.9 GEOMET 0/000.460.9135 (u. 2)</li> </ul>	
15	<ul style="list-style-type: none"> <li>SILENTBLOCK PORTANUMS.IZQ.ENDURO 2018 0/000.360.9109 (u. 4)</li> </ul>	
16	<ul style="list-style-type: none"> <li>ABRAZ.50-70/9 W2 FILTRO AIRE/CARB. INOX FE 0/000.680.9101 (u. 1)</li> </ul>	
17	<ul style="list-style-type: none"> <li>GOMA CABALLETE EC 2015 0/000.360.9100 (u. 2)</li> </ul>	
18	<ul style="list-style-type: none"> <li>PROT.AMORT.EC 2018 0/000.220.9117 (u. 1)</li> </ul>	
19	<ul style="list-style-type: none"> <li>TORNILLO DEPÓSITO - SILLÍN Ø6x23 (EJOT ref. 05100519) T0806023 (u. 6)</li> </ul>	
	<ul style="list-style-type: none"> <li>TORNILLO ESPECIAL ROSCA PLASTICO CABOTA HEXAGONAL CON ARANDELA 6X20 T0806020 (u. 6)</li> </ul>	<b>OBSOLETA</b>
	<ul style="list-style-type: none"> <li>TORN. ESP. ROSCA PLASTICO Hex.6 C/Arandela 6x20 0/000.460.9178 (u. 6)</li> </ul>	
	<ul style="list-style-type: none"> <li>TORNILLO DEPOSITO - SILLIN Ø6x23 0/000.460.9177 (u. 6)</li> </ul>	
20	<ul style="list-style-type: none"> <li>TORN.ESP. DIN 6921 Hex.8 C/Centrador M6x16 0/000.460.9100 (u. 1)</li> </ul>	
21	<ul style="list-style-type: none"> <li>DESVAP.CARTER D.3=ME25610012 0/000.630.9105 (u. 1)</li> </ul>	

**Basculante**



1	<ul style="list-style-type: none"> <li>● BASCULANTE ENDURO 2018 0/000.020.9100 (u. 1)</li> </ul>
2	<ul style="list-style-type: none"> <li>● KIT REPARACION BASCULANTE BE41000CT-CLJ-1 (u. 1)</li> </ul>
3	<ul style="list-style-type: none"> <li>● EJE BASCULANTE ENDURO 2018 0/000.190.9101 (u. 1)</li> </ul>
4	<ul style="list-style-type: none"> <li>● TUERCA BASC.TT 49650 0/000.340.9103 (u. 1)</li> </ul>
5	<ul style="list-style-type: none"> <li>● GUIA CADENA MR 0/000.710.9100 (u. 1)</li> </ul>
6	<ul style="list-style-type: none"> <li>● KIT PATIN CADENA 3 COMP. BE43015CT-CLJ-1 (u. 1)</li> </ul>
7	<ul style="list-style-type: none"> <li>● TORN.ESP. DIN 6921 Hex.8 C/Centrador M6x7 0/000.460.9161 (u. 2)</li> </ul>
8	<ul style="list-style-type: none"> <li>● TUERCA DIN 6926 M6 Cal.8 Z/BLANCO 0/000.340.0170 (u. 1)</li> </ul>
	<ul style="list-style-type: none"> <li>● TUERCA DIN 6926 M6 Cal.8 Z/BLANCO 0/000.340.0170 (u. 1)</li> <li>● TUERCA AUTOBLOC. M-6 C/ARAND DIN-6926 ZINC 0/000.340.9117 (u. 1)</li> </ul>
9	<ul style="list-style-type: none"> <li>● PROT.CADENA HOMOL.EC 2018 0/000.220.9107 (u. 1)</li> </ul>
10	<ul style="list-style-type: none"> <li>● TAP.BASCUL.EC 2018 (465658) 0/000.410.9100 (u. 4)</li> </ul>
11	<ul style="list-style-type: none"> <li>● TORN.ESP. DIN 6921 Hex.8 M6x55 Cal.10.9 GEOMET 0/000.460.9127 (u. 1)</li> </ul>
12	<ul style="list-style-type: none"> <li>● TORN.ESP. DIN 6921 Hex.8 M6x20 Cal.10.9 GEOMET 0/000.460.9120 (u. 1)</li> </ul>
	<ul style="list-style-type: none"> <li>● TORN.ESP. DIN 6921 Hex.8 TX30 M6x20 Cal.10.9 GEOMET 0/000.460.9181 (u. 1)</li> </ul>

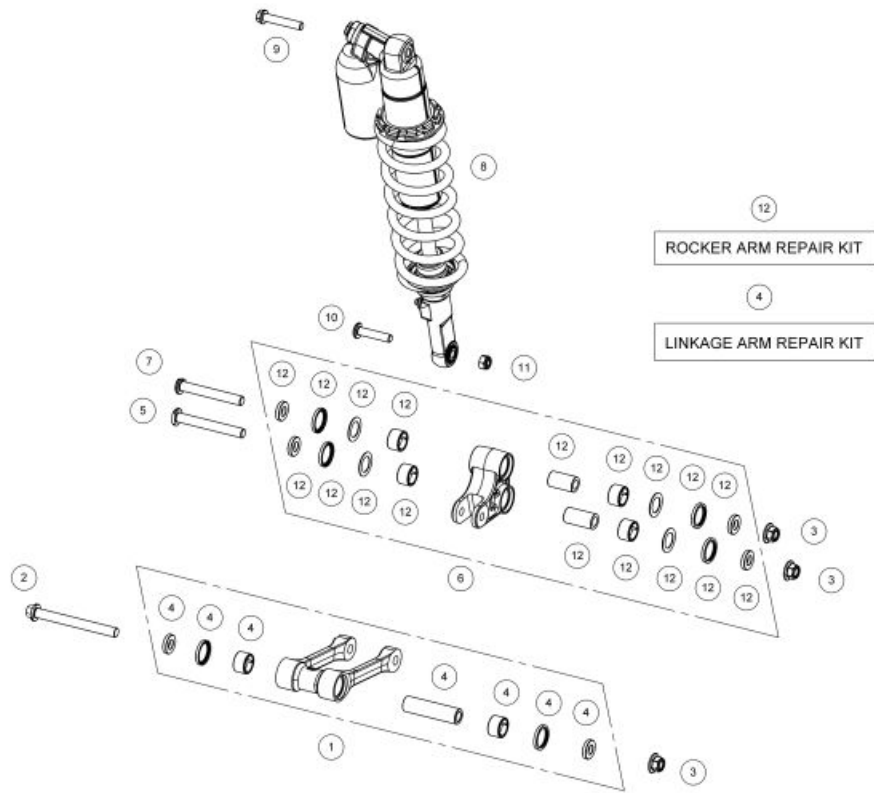
OBSOLETA

OBSOLETA

13	<ul style="list-style-type: none"><li>• SUJ.LATIG.SOBRE BASC. 0/000.630.9101 (u. 2)</li></ul>
14	<ul style="list-style-type: none"><li>• TORN.ESP.+ARAND.5x15 DIN 6921 GEOMET 10.9 0/000.460.9115 (u. 4)</li></ul>
15	<ul style="list-style-type: none"><li>• TORN.TENSOR RUEDA FSR450-2007 0/000.460.9105 (u. 2)</li></ul>
16	<ul style="list-style-type: none"><li>• TUERCA ESTRIADA M-8 DIN 6923 ACERO 8 0/000.340.9118 (u. 2)</li></ul>
17	<ul style="list-style-type: none"><li>• TORN.ESP. DIN 6921 Hex.10 M8x35 Cal.10.9 GEOMET 0/000.460.9139 (u. 1)</li></ul>



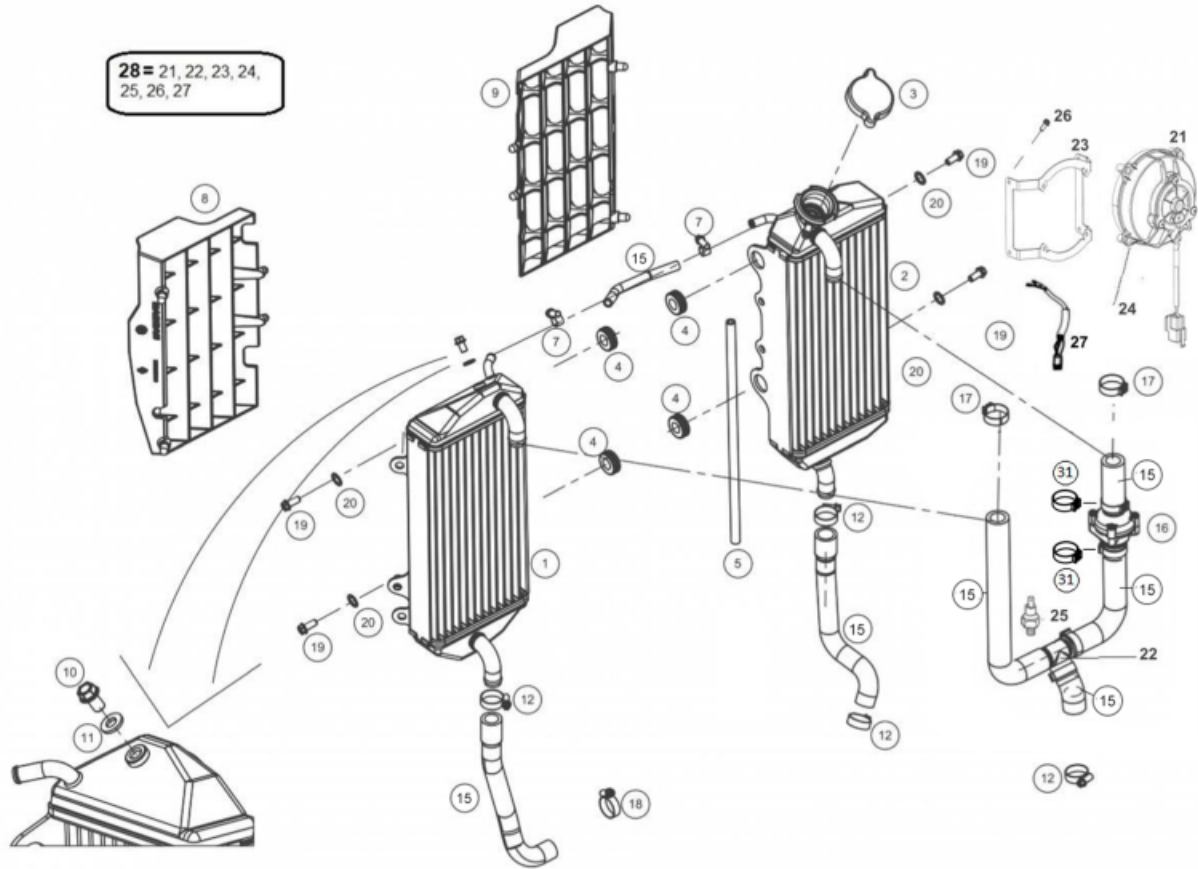
Link



1	<ul style="list-style-type: none"> <li>CTO.BIELETA ENDURO 2018 BE34000CT-CLJ-1 (u. 1)</li> </ul>	
2	<ul style="list-style-type: none"> <li>TORN.EJE BIELETA CHASIS (CM12X1.25X116.2, 12.9) 0/000.460.9102 (u. 1)</li> </ul>	
3	<ul style="list-style-type: none"> <li>TUERCA M12x1.25 DIN 6927 ZINC 0/000.340.9115 (u. 3)</li> </ul>	
4	<ul style="list-style-type: none"> <li>KIT REPARACION BIELETA ENDURO 2018 BE32035CT-CLJ-1 (u. 1)</li> </ul>	
5	<ul style="list-style-type: none"> <li>TORNILLO EJE BIELETA BALANCIN 12x95.5 12.9 ISO 898-1 0/000.460.9103 (u. 1)</li> </ul>	
6	<ul style="list-style-type: none"> <li>CTO. BALANCIN ENDURO 2018 BE32000CT-CLJ-1 (u. 1)</li> </ul>	
7	<ul style="list-style-type: none"> <li>TORN.EJE BALANCIN BASCUL.22X92.5 0/000.460.9104 (u. 1)</li> </ul>	
8	<ul style="list-style-type: none"> <li>AMORTIGUADOR EC 2018 KYB 0/000.180.9100 (u. 1)</li> </ul>	
9	<ul style="list-style-type: none"> <li>PERNO 10X55 10.9 GEOMET ISO 898-1 T0210055 (u. 1)</li> </ul>	OBSOLETA
	<ul style="list-style-type: none"> <li>PERNO 10X60 ISO 898-1 GEOMET 10.9 0/000.460.9131 (u. 1)</li> </ul>	
10	<ul style="list-style-type: none"> <li>TORN.EJE INF.AMORT.20X48.5 0/000.460.9107 (u. 1)</li> </ul>	
11	<ul style="list-style-type: none"> <li>TUERCA AUTOBLOC.M10X125 DIN 985 ZINC 8 0/000.340.9110 (u. 1)</li> </ul>	
12	<ul style="list-style-type: none"> <li>KIT REPARACION BALANCIN EC 2018 BE34035CT-CLJ-1 (u. 1)</li> </ul>	



**Radiador**

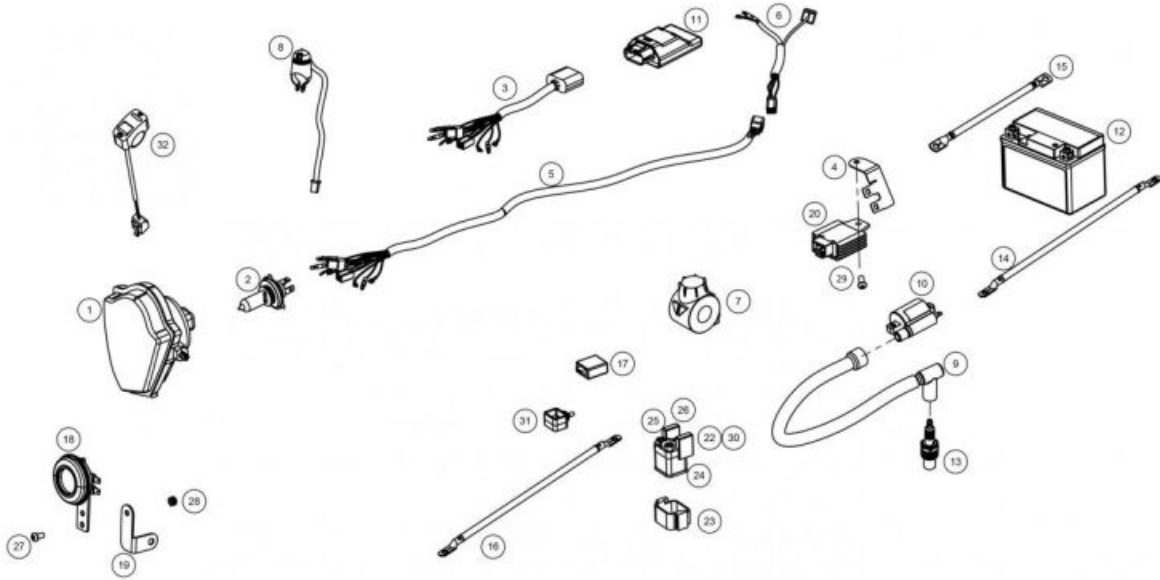


1	<ul style="list-style-type: none"> <li>● RADIADOR IZQUIERDO ENDURO 2019 0/000.580.9103 (u. 1)</li> </ul>
2	<ul style="list-style-type: none"> <li>● RADIADOR DERECHO + 2U SILENBLOCK 2019 0/000.580.9102 (u. 1)</li> </ul>
3	<ul style="list-style-type: none"> <li>● TAPON RADIADOR MR FLOREADO 1.8 REBAJADO 0/000.410.9112 (u. 1)</li> </ul>
4	<ul style="list-style-type: none"> <li>● GOMA TOPE RAD.49100025 BIE500132031 (u. 4)</li> </ul>
5	<ul style="list-style-type: none"> <li>● TUBO SOBRENTE RAD.5X8 - 39cm.- TT-96 0/000.290.9117 (u. 1)</li> </ul>
7	<ul style="list-style-type: none"> <li>● ABRAZ.TORRO SIN FIN 10-16 (10107270010) INOX FE 0/000.680.9108 (u. 2)</li> </ul>
8	<ul style="list-style-type: none"> <li>● REJILLA RADIADOR IZQUIERDA ENDURO 2018 0/000.220.9113 (u. 1)</li> </ul>
9	<ul style="list-style-type: none"> <li>● REJILLA RADIADOR DERECHA ENDURO 2018 0/000.220.9112 (u. 1)</li> </ul>
10	<ul style="list-style-type: none"> <li>● TORN.ESP. DIN 6921 Hex.8 M6x10 Cal.10.9 GEOMET 0/000.460.9133 (u. 1)</li> </ul>
11	<ul style="list-style-type: none"> <li>● ARANDELA COBRE 6X10X1.5 TORN.VAC.AGUA CI 0/000.440.9122 (u. 1)</li> </ul>
12	<ul style="list-style-type: none"> <li>● ABRAZ.TORRO SIN FIN 16-27 (10107270027) INOX FE 0/000.680.9107 (u. 4)</li> </ul>
15	<ul style="list-style-type: none"> <li>● KIT COMPLETO MANGUITOS MR RACING 0/R00.290.9102 (u. 1)</li> </ul>
16	<ul style="list-style-type: none"> <li>● TERMOSTATO RADIADOR 0/001.010.9103 (u. 1)</li> <li>● CUERPO TERMOSTATO SM BE250432070 (u. 1)</li> </ul>

**OBSOLETA**

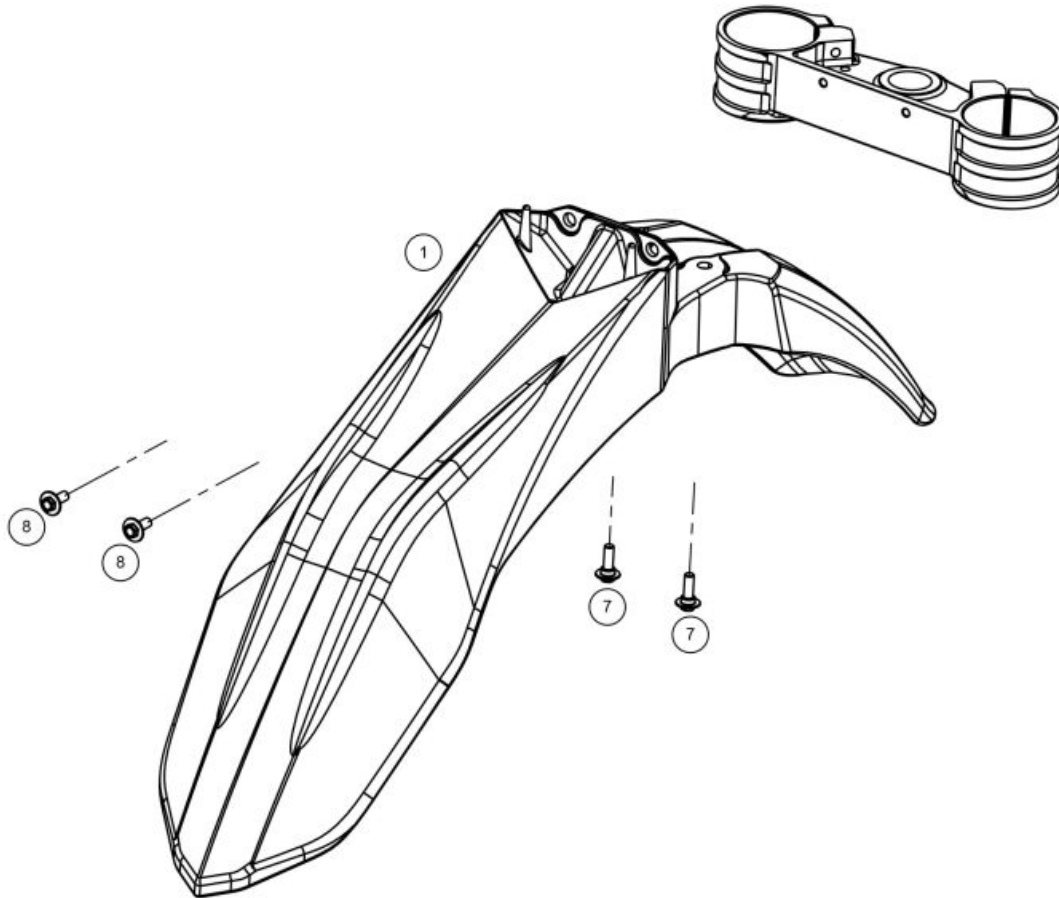
17	<ul style="list-style-type: none"><li>• ABRAZADERA COBRA 21 W4 0/000.680.3009 (u. 2)</li></ul>
18	<ul style="list-style-type: none"><li>• ABRAZ.COBRA-19 INOX A2 0/000.680.9104 (u. 1)</li></ul>
19	<ul style="list-style-type: none"><li>• TORN.ESP. DIN 6921 Hex.8 M6x14 Cal.10.9 GEOMET 0/000.460.9118 (u. 4)</li></ul>
20	<ul style="list-style-type: none"><li>• ARANDELA 6X20X2 0/000.440.9112 (u. 4)</li></ul>
21	<ul style="list-style-type: none"><li>• ABRAZARERA COBRA Ø26/8 W4 0/000.680.0567 (u. 2)</li></ul>

**Parte Eléctrica**



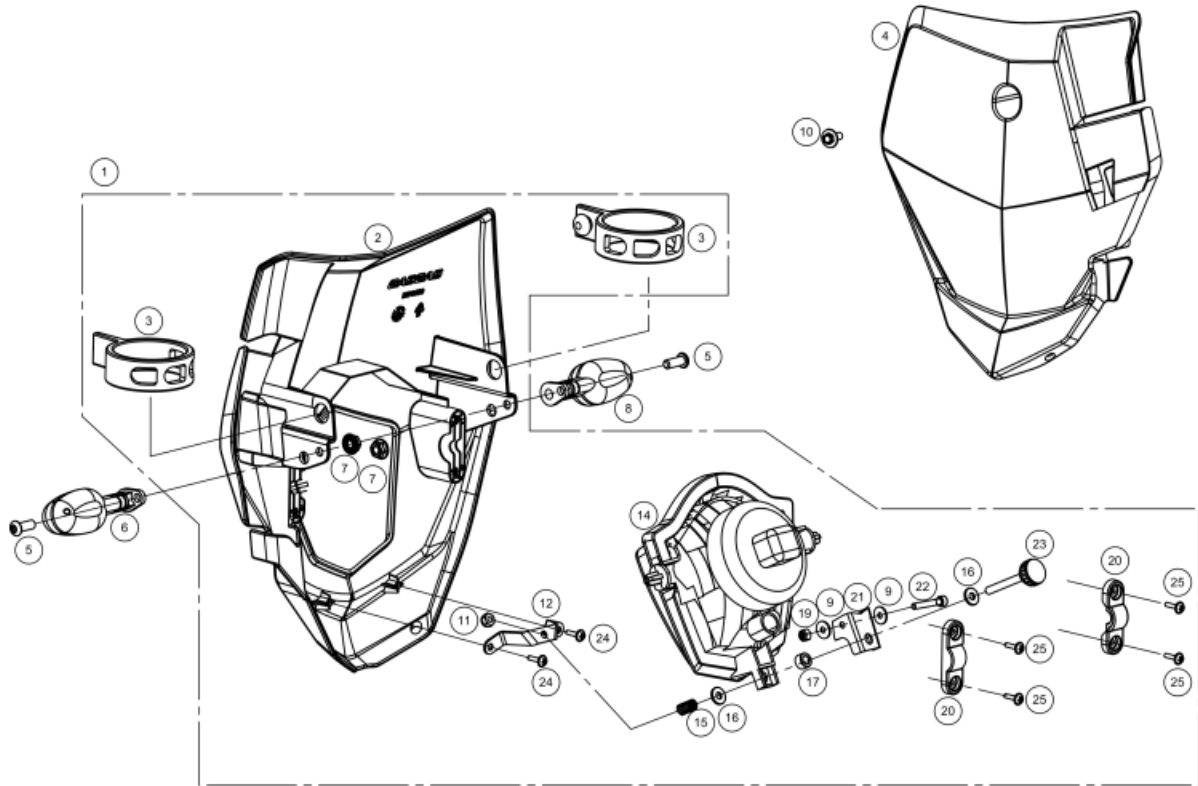
1	<ul style="list-style-type: none"> <li>● OPTICA FARO COMPLETA C/LUZ POBLAC. PT-107 0/000.600.0270 (u. 1)</li> </ul>	
2	<ul style="list-style-type: none"> <li>● BOMBILLA HALOGENA 35/35 12V.HS1 L300125 (u. 1)</li> </ul>	
3	<ul style="list-style-type: none"> <li>● INSTALACION CHISPA 0/000.160.9101 (u. 1)</li> </ul>	
4	<ul style="list-style-type: none"> <li>● SOP.SUJ.CONECTORES ENCENDIDO ENDURO 2018 0/000.980.9110 (u. 1)</li> </ul>	
5	<ul style="list-style-type: none"> <li>● INSTALACION ELECTRICA PRINCIPAL ELECTROVENTILADOR MR 0/000.160.9112 (u. 1)</li> <li>● INST.ELEC.COMPONENTE ELEC. 0/000.160.9102 (u. 1)</li> </ul>	<b>OBSOLETA</b>
6	<ul style="list-style-type: none"> <li>● INST.LUZ MATRICULA ENDURO 2018 0/000.160.9103 (u. 1)</li> </ul>	
7	<ul style="list-style-type: none"> <li>● CONMUTADOR CON ARRANQUE ENDURO 2018 0/000.720.9101 (u. 1)</li> </ul>	
8	<ul style="list-style-type: none"> <li>● BOTON DE PARO TRIAL 2015 0/000.720.9102 (u. 1)</li> </ul>	
9	<ul style="list-style-type: none"> <li>● PIPA BUJIA LB05EMH=BT27934000 0/005.110.9100 (u. 1)</li> </ul>	
10	<ul style="list-style-type: none"> <li>● BOB.DE ALTA JT TXT 2013 0/005.070.9100 (u. 1)</li> </ul>	
11	<ul style="list-style-type: none"> <li>● CTO.CDI PROGRAMADO EC 250-300 GP 2019 EE51100CT-CSK-2 (u. 1)</li> </ul>	
12	<ul style="list-style-type: none"> <li>● BATERIA BS LITHIUM - BSLI-02 0/000.900.9103 (u. 1)</li> <li>● BATERIA LITIO 4.0 Ah, HJTZ7S-FPZ 0/000.900.9100 (u. 1)</li> <li>● BATERIA BS LITHIUM - BSLI-02 0/000.900.9103 (u. 1)</li> </ul>	<b>OBSOLETA</b>
13	<ul style="list-style-type: none"> <li>● BUJIA W24ESRU/BR8ES 0/005.110.9101 (u. 1)</li> </ul>	
14	<ul style="list-style-type: none"> <li>● CABLE POSITIVO BATERIA EC 2019 0/000.160.9105 (u. 1)</li> </ul>	
15	<ul style="list-style-type: none"> <li>● CABLE NEGATIVO BATERIA 0/000.160.9104 (u. 1)</li> </ul>	

16	<ul style="list-style-type: none"> <li>CABLE RELE A MOTOR ARRANQUE 2019 0/000.160.9107 (u. 1)</li> </ul>	
17	<ul style="list-style-type: none"> <li>MODULO DIODES SHOTKY 0/001.200.9100 (u. 1)</li> </ul>	
18	<ul style="list-style-type: none"> <li>CLAXON CLASE II TIPO DL128J-12V 0/000.420.5011 (u. 1)</li> </ul>	
19	<ul style="list-style-type: none"> <li>SOPORTE CLAXON ENDURO 2018 ZINCADO 0/000.980.9107 (u. 1)</li> </ul>	
20	<ul style="list-style-type: none"> <li>REGUL.(31600-XRU-0000) 0/005.070.9101 (u. 1)</li> </ul>	
22	<ul style="list-style-type: none"> <li>RELE ARRANQUE (RC19-005<sup>a</sup>) 0/001.200.9101 (u. 1)</li> </ul>	
	<ul style="list-style-type: none"> <li>RELE ARRANQUE (RC19-005<sup>a</sup>)STARTER RELA 00020 A7343-888-00-000 0/001.200.9103 (u. 1)</li> </ul>	<b>OBSOLETA</b>
23	<ul style="list-style-type: none"> <li>GOMA SOP.RELE ARRANQUE FIJ.VERTICAL EE85205GG-CAK-1 (u. 1)</li> </ul>	
24	<ul style="list-style-type: none"> <li>TAPA PROT.FUSIBLE (B4694-730-00-001) EE851052511 (u. 2)</li> </ul>	
25	<ul style="list-style-type: none"> <li>ARANDELA EN ABANICO DIN 6798 ZINC 0/000.440.9127 (u. 2)</li> </ul>	<b>OBSOLETA</b>
	<ul style="list-style-type: none"> <li>ARANDELA DENTADA DIN 6798/J M6 Cal.A2 INOX 0/000.440.0240 (u. 2)</li> </ul>	
26	<ul style="list-style-type: none"> <li>TORN.ESP. DIN 6921 Hex.8 M6x10 Cal.10.9 GEOMET 0/000.460.9133 (u. 2)</li> </ul>	
27	<ul style="list-style-type: none"> <li>TORN.ESP.6X12+ARANDELA Y FIJADOR ISO 7380-2 INOX A2 0/000.460.9108 (u. 1)</li> </ul>	
28	<ul style="list-style-type: none"> <li>TUERCA NUT 956 RAPIDA M-6 HRc 40/48 0/000.340.9120 (u. 1)</li> </ul>	
29	<ul style="list-style-type: none"> <li>TORN.ESP. DIN 6921 Hex.8 M6x14 Cal.10.9 GEOMET 0/000.460.9118 (u. 1)</li> </ul>	
30	<ul style="list-style-type: none"> <li>FUSIBLE UNIVERSAL 20A 0/000.910.9100 (u. 2)</li> </ul>	
31	<ul style="list-style-type: none"> <li>GOMA SOPORTE MODULO DIODES 0/000.360.9111 (u. 1)</li> </ul>	
32	<ul style="list-style-type: none"> <li>SWITCH DOBLE MAPA 0/000.720.9100 (u. 1)</li> </ul>	

**Guardabarros delantero**


- |   |  |
|---|--|
| 1 | <ul style="list-style-type: none"> <li>● GUARDAB.DEL.MR NEGRO<br/>0/000.050.9100 (u. 1)</li> </ul>                       |
| 7 | <ul style="list-style-type: none"> <li>● TORN.ESP. DIN 6921 Hex.8 C/Centrador M6x16<br/>0/000.460.9100 (u. 2)</li> </ul> |
| 8 | <ul style="list-style-type: none"> <li>● TORN.ESP. DIN 6921 Hex.8 C/Centrador M6x7<br/>0/000.460.9161 (u. 2)</li> </ul>  |

Faro Delantero



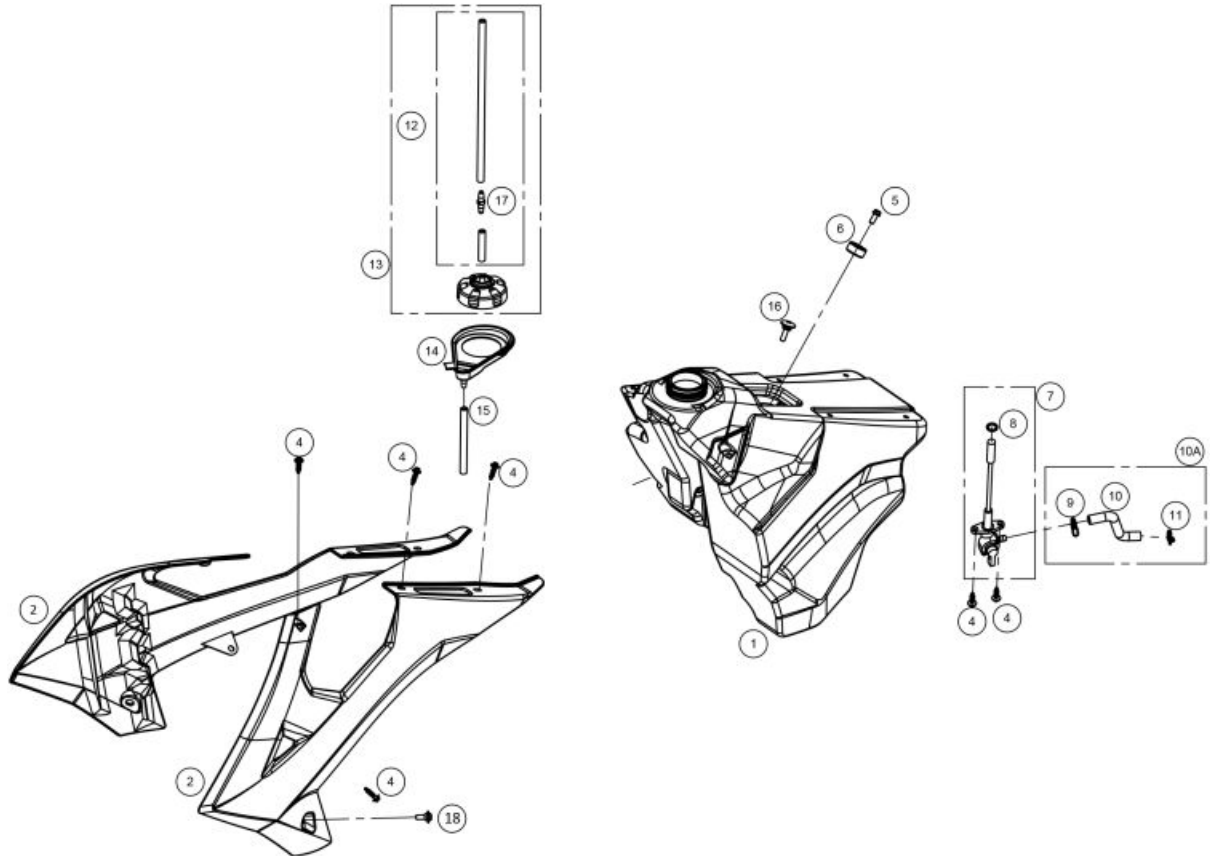
- 1 ● KIT FARO COMPLETO MR BLANCO  
0/K00.620.9100 (u. 1)
- 3 ● GOMA SUJETA FARO D.38 PP HP2070291G  
0/000.360.9102 (u. 2)
- 4 ● PLACA PORTANUMEROS DELANTERA CROSS COUNTRY 2018 BLANCA  
BE90500GG-MXC-1 (u. 1)
- 4 ● PLACA PORTANUMEROS DELANTERA CROSS COUNTRY 2018 BLANCA  
0/000.570.9113 (u. 1)
- 5 ● ULS 6x16 ISO 7380-1 NEGRO 12.9  
0/000.460.9156 (u. 2)
- 6 ● INTERMITENTE IZQ.DEL.2005  
0/000.150.9101 (u. 1)
- 7 ● TUERCA+ARAN.M-6 ESTR. DIN 6923 ZINC 8  
0/000.340.9116 (u. 2)
- 8 ● INTERMITENTE DCH.O.DEL.2005  
0/000.150.9100 (u. 1)
- 9 ● ARANDELA PLANA 4X12X1 DIN 9021 ZN AG CR3  
0/000.440.9119 (u. 2)
- 10 ● TORN.ESP. DIN 6921 Hex.8 C/Centrador M6x7  
0/000.460.9161 (u. 1)
- 11 ● TUERCA AUTOBL. M-5 BAJA DIN-985 ZINC 8  
0/000.340.9112 (u. 1)
- 12 ● CHAPA REGUL.FARO  
0/000.980.9103 (u. 1)
- 13 ● TORNILLO PLASTICO 4X10 ZN BLUE  
0/000.460.9159 (u. 2)
- 14 ● OPTICA FARO COMPLETA C/LUZ POBLAC. PT-107  
0/000.600.0270 (u. 1)

**OBSOLETA**



15	<ul style="list-style-type: none"> <li>MUELLE TORN.REG.OPTICA 0/000.470.9107 (u. 1)</li> </ul>	
16	<ul style="list-style-type: none"> <li>ARANDELA 5X12X1.5 DIN 125A ZINC 0/000.440.9121 (u. 2)</li> </ul>	
17	<ul style="list-style-type: none"> <li>CASQ.ALUMINIO ø5.5X10X6 0/000.480.9128 (u. 1)</li> </ul>	
19	<ul style="list-style-type: none"> <li>TUERCA AUTOBL.M-4 DIN 985 ZINC 8 0/000.340.9111 (u. 1)</li> </ul>	
20	<ul style="list-style-type: none"> <li>SOPORTE FARO MR BLANCO INY 0/000.980.9104 (u. 2)</li> </ul>	OBSOLETA
	<ul style="list-style-type: none"> <li>SOPORTE PORTAFARO MR NEGRO INY. 0/000.980.9127 (u. 2)</li> </ul>	
21	<ul style="list-style-type: none"> <li>REFUERZO LENGUETA FARO EC 2012 0/000.980.9106 (u. 1)</li> </ul>	
22	<ul style="list-style-type: none"> <li>ALLEN 4X25 DIN 912 ZINC 0/000.460.9144 (u. 1)</li> </ul>	
23	<ul style="list-style-type: none"> <li>TORN.REGUL.FARO ELESA B.193/18 P M5X40 0/000.460.9106 (u. 1)</li> </ul>	
24	<ul style="list-style-type: none"> <li>TORNILLO PLASTICO 4X10 ZN BLUE 0/000.460.9159 (u. 2)</li> </ul>	
25	<ul style="list-style-type: none"> <li>TORN.ESP.PLASTICO 4X12 CELO RF87T VERZINKT 0/000.460.9160 (u. 4)</li> </ul>	

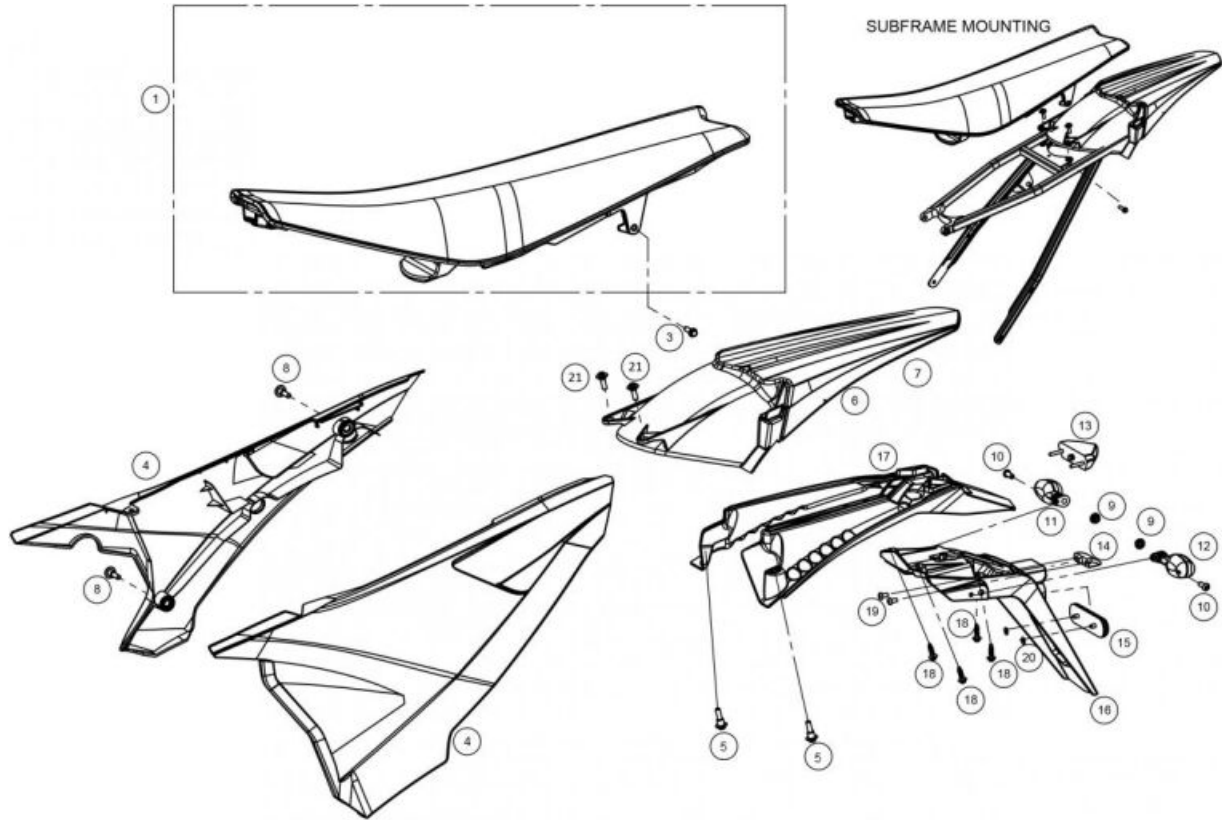
**Depósito**



1	<ul style="list-style-type: none"> <li>● DEPOSITO COMBUSTIBLE EUROPA (XPE) ENDURO 2018 0/000.030.9100 (u. 1)</li> </ul>
2	<ul style="list-style-type: none"> <li>● KIT PLACAS PROTECCION RADIADOR NEGRAS MR 0/K00.570.9102 (u. 1)</li> </ul>
4	<ul style="list-style-type: none"> <li>● TORN. ESP. ROSCA PLASTICO Hex.6 C/Arandela 6x20 0/000.460.9178 (u. 10)</li> <li>● TORNILLO DEPOSITO - SILLIN Ø6x23 0/000.460.9177 (u. 10)</li> <li>● TORNILLO ESPECIAL ROSCA PLASTICO CABOTA HEXAGONAL CON ARANDELA 6X20 T0806020 (u. 10)</li> </ul>
	<ul style="list-style-type: none"> <li>● TORNILLO DEPÓSITO - SILLÍN Ø6x23 (EJOT ref. 05100519) T0806023 (u. 10)</li> </ul>
	<p style="text-align: right;"><b>OBSOLETA</b></p>
5	<ul style="list-style-type: none"> <li>● TORN.ESP. DIN 6921 Hex.8 M6x14 Cal.10.9 GEOMET 0/000.460.9118 (u. 1)</li> </ul>
6	<ul style="list-style-type: none"> <li>● SILENTBLOCK+ARANDELA Y REGATA DEP.GASOLIN 0/000.360.9105 (u. 1)</li> </ul>
7	<ul style="list-style-type: none"> <li>● GRIFO GASOLINA ENDURO 2018 0/000.370.9100 (u. 1)</li> </ul>
8	<ul style="list-style-type: none"> <li>● TORICA GRIFO GASOLINA 10X2.5 B740120 (u. 1)</li> </ul>
9	<ul style="list-style-type: none"> <li>● ABRAZ.MOLLA M-11.6-12.3 ZINC CR3 0/000.680.9102 (u. 1)</li> </ul>
10A	<ul style="list-style-type: none"> <li>● TUBO GASOLINA ENDURO 2018 0/000.290.9108 (u. 1)</li> </ul>
10	<ul style="list-style-type: none"> <li>● TUBO GASOLINA ENDURO 2018 DE HOMOLOGACION 0/000.290.9109 (u. 1)</li> </ul>
11	<ul style="list-style-type: none"> <li>● ABRAZ.MOLLA M-12X1.5 ACERO ZN 0/000.680.9103 (u. 1)</li> </ul>

12	<ul style="list-style-type: none"> <li>CTO.TUBO DESVAP.GASOLINA 26cm 0/000.290.9115 (u. 1)</li> </ul>	
13	<ul style="list-style-type: none"> <li>CTO.TAP.GASOLINA+TUBO EC 2014 BE76010CT-CAB-1 (u. 1)</li> </ul>	
14	<ul style="list-style-type: none"> <li>REBOSADERO DEP.GASOL. 0/000.570.9102 (u. 1)</li> </ul>	
15	<ul style="list-style-type: none"> <li>TUBO REBOSADERO DEP.DE GASOLINA ENDURO 0/000.290.9107 (u. 1)</li> </ul>	
16	<ul style="list-style-type: none"> <li>TORN. ESP. ROSCA PLASTICO Hex.6 C/Arandela 6x20 0/000.460.9178 (u. 1)</li> </ul>	
	<ul style="list-style-type: none"> <li>TORNILLO ESPECIAL ROSCA PLASTICO CABOTA HEXAGONAL CON ARANDELA 6X20 T0806020 (u. 1)</li> </ul>	<b>OBSOLETA</b>
	<ul style="list-style-type: none"> <li>TORNILLO DEPOSITO - SILLIN Ø6x23 0/000.460.9177 (u. 1)</li> </ul>	
	<ul style="list-style-type: none"> <li>TORNILLO DEPÓSITO - SILLÍN Ø6x23 (EJOT ref. 05100519) T0806023 (u. 1)</li> </ul>	
17	<ul style="list-style-type: none"> <li>VALV.DESVAPO.DEP. BT27836025 (u. 1)</li> </ul>	
18	<ul style="list-style-type: none"> <li>TORN.ESP. DIN 6921 Hex.8 C/Centrador M6x12 0/000.460.9101 (u. 2)</li> </ul>	

**Plástica Trasera**



● FUNDA SILLIN ENDURO 2018  
BE94025GG-CLJ-1 (u. 1)

**OBSOLETA**

**1** ● SILLIN EC 2018  
0/000.040.9100 (u. 1)

● FUNDA SILLIN ENDURO 2018  
0/000.040.9107 (u. 1)

**3** ● TORN.ESP. DIN 6921 Hex.8 M6x25 Cal.10.9 GEOMET  
0/000.460.9121 (u. 1)

**4** ● KIT PLACAS LATERALES PORTANUMEROS BLANCAS MR  
0/K00.570.9101 (u. 1)

**5** ● TORN.ESP. DIN 6921 Hex.8 C/Centrador M6x16  
0/000.460.9163 (u. 2)

**6** ● CTO.GUARDAB.TRAS.EC 2018 BL.  
0/000.060.9100 (u. 1)

**8** ● TORN.ESP. DIN 6921 Hex.8 C/Centrador M6x16  
0/000.460.9100 (u. 2)

**9** ● TUERCA+ARAN.M-6 ESTR. DIN 6923 ZINC 8  
0/000.340.9116 (u. 2)

**10** ● ULS 6x16 ISO 7380-1 NEGRO 12.9  
0/000.460.9156 (u. 2)

**11** ● INTERMITENTE DCH.TRAS.2005  
0/000.150.9102 (u. 1)

**12** ● INTERMITENTE IZQ.TRAS.2005  
0/000.150.9103 (u. 1)

13	<ul style="list-style-type: none"> <li>● LUZ PILOTO TRASERO LED V.2 0/000.150.9106 (u. 1)</li> </ul>	
	<ul style="list-style-type: none"> <li>● LUZ PILOTO TRASERO LED 0/000.150.9105 (u. 1)</li> </ul>	<b>OBSOLETA</b>
	<ul style="list-style-type: none"> <li>● LUZ PILOTO TRASERO LED V.2 0/000.150.9106 (u. 1)</li> </ul>	
	<ul style="list-style-type: none"> <li>● LUZ PILOTO TRASERO LED V.2 0/000.150.9106 (u. 1)</li> </ul>	
14	<ul style="list-style-type: none"> <li>● LUZ MATRICULA MR 0/000.150.9104 (u. 1)</li> </ul>	
15	<ul style="list-style-type: none"> <li>● CATADIOPTRICO 700R ENDURO 2007 0/000.630.9103 (u. 1)</li> </ul>	
16	<ul style="list-style-type: none"> <li>● PORTAMATRICULAS HOMOLOGACION 0/000.060.9102 (u. 1)</li> </ul>	<b>OBSOLETA</b>
	<ul style="list-style-type: none"> <li>● PORTA MATRICULAS HOMOLOGADO MRT 2021 0/000.060.5302 (u. 1)</li> </ul>	
17	<ul style="list-style-type: none"> <li>● PORTAMATRICULAS CORTO EC 2018 0/000.060.9101 (u. 1)</li> </ul>	
18	<ul style="list-style-type: none"> <li>● TORNILLO DEPOSITO - SILLIN Ø6x23 0/000.460.9177 (u. 4)</li> </ul>	
	<ul style="list-style-type: none"> <li>● TORNILLO ESPECIAL ROSCA PLASTICO CABOTA HEXAGONAL CON ARANDELA 6X20 T0806020 (u. 4)</li> </ul>	<b>OBSOLETA</b>
	<ul style="list-style-type: none"> <li>● TORN. ESP. ROSCA PLASTICO Hex.6 C/Arandela 6x20 0/000.460.9178 (u. 4)</li> </ul>	
	<ul style="list-style-type: none"> <li>● TORNILLO DEPÓSITO - SILLÍN Ø6x23 (EJOT ref. 05100519) T0806023 (u. 4)</li> </ul>	
19	<ul style="list-style-type: none"> <li>● ULS TORX CON ARAND.4X08 ISO 7380-2 INOX A2 0/000.460.9158 (u. 2)</li> </ul>	
20	<ul style="list-style-type: none"> <li>● GRAPA 02110396 SRRM-5 CATADRIOPTICO 0/000.440.9102 (u. 2)</li> </ul>	
21	<ul style="list-style-type: none"> <li>● TORN.ESP. DIN 6921 Hex.8 C/Centrador M6x12 0/000.460.9101 (u. 2)</li> </ul>	

Adhesivos

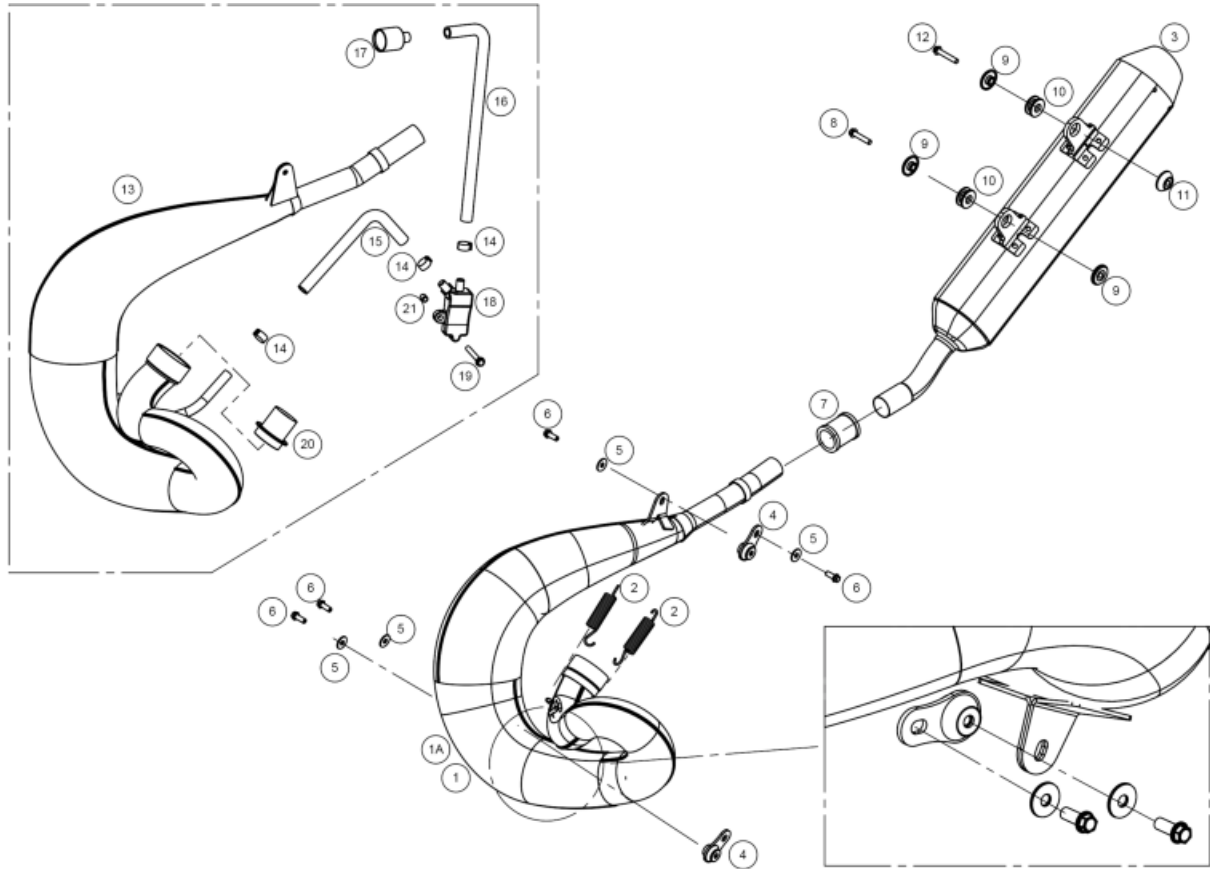
0/000.390.9137 JUEGO CALCAS MR RACING 2023



1

- JUEGO CALCAS MR RACING 2023  
0/000.390.9137 (u. 1)

Escape



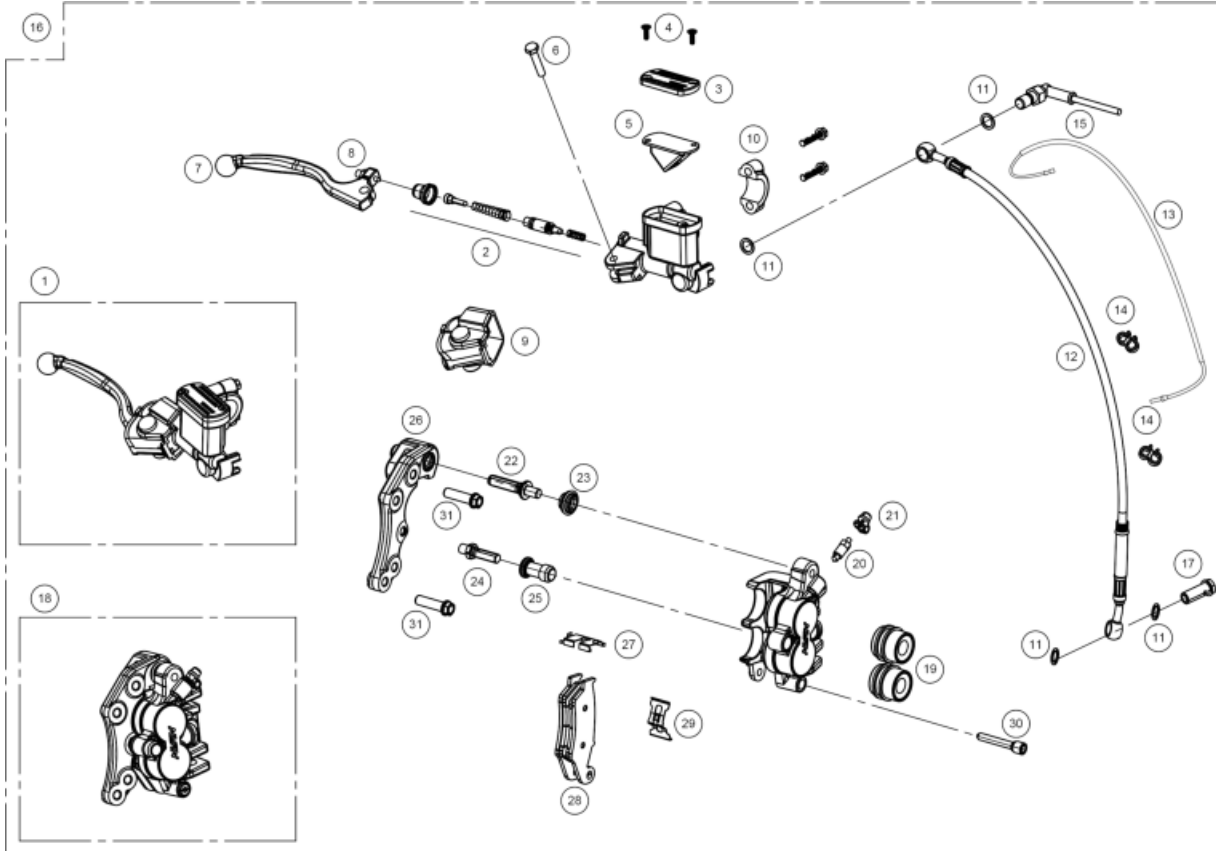
- |    |  |
|----|--|
| 1  | <ul style="list-style-type: none"> <li>CTO.TUBO ESCAPE EC 2018</li> <li>0/000.290.9114 (u. 1)</li> </ul>   |
| 2  | <ul style="list-style-type: none"> <li>MUELLE ESCAPE EC</li> <li>0/000.470.9106 (u. 2)</li> </ul>  |
| 3  | <ul style="list-style-type: none"> <li>SILENCIADOR MR 2022</li> <li>0/000.870.9104 (u. 1)</li> <li>FIBRA PARA SILENCIOSO MR 2022</li> <li>0/000.870.9105 (u. 1)</li> </ul> |
| 4  | <ul style="list-style-type: none"> <li>SILENBLOCK ESCAPE ENDURO</li> <li>0/000.360.9107 (u. 2)</li> </ul>  |
| 5  | <ul style="list-style-type: none"> <li>ARANDELA 6X18X1.5 DIN 9021 ZINC</li> <li>0/000.440.9126 (u. 4)</li> </ul>   |
| 6  | <ul style="list-style-type: none"> <li>TORN.ESP. DIN 6921 Hex.8 M6x16 Cal.10.9 GEOMET</li> <li>0/000.460.9119 (u. 4)</li> </ul>  |
| 7  | <ul style="list-style-type: none"> <li>JUNTA ESCAPE 250 SILIC.5916</li> <li>0/000.490.9103 (u. 1)</li> </ul>   |
| 8  | <ul style="list-style-type: none"> <li>TORN.ESP. DIN 6921 Hex.8 M6x30 Cal.10.9 GEOMET</li> <li>0/000.460.9123 (u. 1)</li> </ul>  |
| 9  | <ul style="list-style-type: none"> <li>CASQ.SILENCIADOR CORTO EC 2018</li> <li>0/000.480.9115 (u. 3)</li> </ul>  |
| 10 | <ul style="list-style-type: none"> <li>SILENBLOCK ESCAPE EC 2018</li> <li>0/000.360.9108 (u. 2)</li> </ul>   |
| 11 | <ul style="list-style-type: none"> <li>CASQ.SILENCIADOR LARGO ENDURO 2018</li> <li>0/000.480.9114 (u. 1)</li> </ul>  |
| 12 | <ul style="list-style-type: none"> <li>TORN.ESP. DIN 6921 Hex.8 M6x35 Cal.10.9 GEOMET</li> <li>0/000.460.9124 (u. 1)</li> </ul>  |
| 13 | <ul style="list-style-type: none"> <li>CTO.TUBO ESCAPE EC 2018 HOMOL.</li> <li>0/000.290.9113 (u. 1)</li> </ul>  |

OBSOLETA

14	<ul style="list-style-type: none"><li>● ABRAZ.COBRA D.15/8 W4 INOX A2 0/000.680.9106 (u. 3)</li></ul>
15	<ul style="list-style-type: none"><li>● TUBO AIRE SECUNDARIO CORTO EC-2009 0/000.290.9110 (u. 1)</li></ul>
16	<ul style="list-style-type: none"><li>● TUBO AIRE SECUNDARIO LARGO EC-2009 0/000.290.9111 (u. 1)</li></ul>
17	<ul style="list-style-type: none"><li>● FILTRO VALVULA AIS 0/227.013.0003 (u. 1)</li></ul>
18	<ul style="list-style-type: none"><li>● VALV.AIRE SECUNDARIO EC-2009 RV-1-037 0/000.640.9100 (u. 1)</li></ul>
19	<ul style="list-style-type: none"><li>● TORN.ESP. DIN 6921 Hex.8 M6x60 Cal.10.9 GEOMET 0/000.460.9128 (u. 1)</li></ul>
20	<ul style="list-style-type: none"><li>● CATALIZADOR EC250-2002 0/001.600.9100 (u. 1)</li></ul>
21	<ul style="list-style-type: none"><li>● CASQ.DIST.PIÑON 0/000.980.9112 (u. 1)</li></ul>



**Freno Delantero**

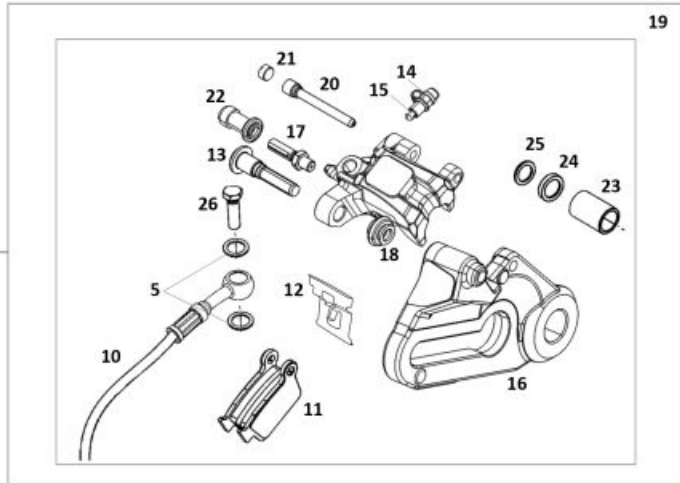
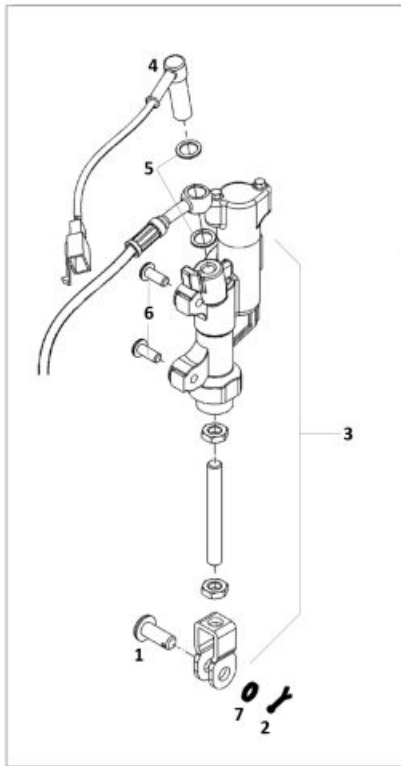


- 1
  - BOMBA FRENO DEL.NISSIN=BC25922008/2  
0/000.820.9106 (u. 1)
  - BOMBA FRENO DEL.NISSIN=BC25922008  
BC25922008/2 (u. 1)
- 2
  - KIT PISTON FRENO A 113-MK1-GAS  
BC25922219 (u. 1)
- 3
  - TAPA BOMBA 009-M91-099  
BC25922210 (u. 1)
- 4
  - TORN.TAPA BOMBA 049-Z02-064  
BC25922217 (u. 2)
- 5
  - GOMA ANTIESPUMANTE 003-M68-042  
BC25922216 (u. 1)
- 6
  - TORN.ESP.083-M87-012  
BC25922212 (u. 1)
- 7
  - MANETA FRENO TT250 2904 ( 3274 )  
BC250022045R (u. 1)
- 8
  - TENSOR MANETA NISSIN 003-M84-107  
BC25922218 (u. 1)
- 9
  - GUARDAPOLVO  
BC25922213 (u. 1)
- 10
  - BRIDA  
BC25922211 (u. 1)
- 11
  - ARANDELA LATIGUILLO 10X14X1  
BE25622007 (u. 4)
- 12
  - LATIGUILLO FRENO DEL.EC-2004- 740 746112  
BE250422002 (u. 1)
- 13
  - SENSOR CUENTA KM ENDURO  
0/001.010.9100 (u. 1)

**OBSOLETA**

14	<ul style="list-style-type: none"> <li>● GRAPA SUJ.CABLE CT.KM.2008 0/000.630.9104 (u. 2)</li> </ul>
15	<ul style="list-style-type: none"> <li>● INTERRUPTOR 23-016/1 STOP BOMBA NISSIN 3 0/000.720.9104 (u. 1)</li> </ul>
16	<ul style="list-style-type: none"> <li>● CTO.FRENO DEL.PURGADO ENDURO 2004 0/000.820.9107 (u. 1)</li> </ul>
17	<ul style="list-style-type: none"> <li>● RACORD SUJ.LATIGUILLO 10X1,25(9257) BC25722006 (u. 1)</li> </ul>
18	<ul style="list-style-type: none"> <li>● PINZA FRENO DEL.+SOP.272-C00-400 EC-2007 0/000.860.9101 (u. 1)</li> </ul>
19	<ul style="list-style-type: none"> <li>● KIT.REP.PISTON 272-C98-129 BE620422508 (u. 1)</li> </ul>
20	<ul style="list-style-type: none"> <li>● KIT SANGRADOR EC 142-D98-103 BE620602508 (u. 1)</li> </ul>
21	<ul style="list-style-type: none"> <li>● TAP.SANGRADOR NISSIN 009-Z51-015 BE250022055 (u. 1)</li> </ul>
22	<ul style="list-style-type: none"> <li>● TORN.GUIA NISSIN 002-C46-086 BE250022092 (u. 1)</li> </ul>
23	<ul style="list-style-type: none"> <li>● GUARDAPOLVO EC 002-C40-101 BE620682508 (u. 1)</li> </ul>
24	<ul style="list-style-type: none"> <li>● TORN.CLAVIJA PINZA FRENO 082-C48-023 BE250022034 (u. 1)</li> </ul>
25	<ul style="list-style-type: none"> <li>● GUARDAPOLVO PINZA EC 002-C49-104 BE620692508 (u. 1)</li> </ul>
26	<ul style="list-style-type: none"> <li>● SOP.PINZA DEL.EC 002-C08-225 BE620102508 (u. 1)</li> </ul>
27	<ul style="list-style-type: none"> <li>● PLATINA SUJ.PASTILLAS 002-C80-014 BE620122508 (u. 1)</li> </ul>
28	<ul style="list-style-type: none"> <li>● KIT PASTILLAS DEL.EC 002-C94-540 CEX BE620652508 (u. 1)</li> </ul>
29	<ul style="list-style-type: none"> <li>● PLATINA SUJ.PASTILLAS EC 002-C30-110 BE620112508 (u. 1)</li> </ul>
30	<ul style="list-style-type: none"> <li>● PASADOR PAS.PINZA F.DEL.002-C50-031 BE250022041 (u. 1)</li> </ul>
31	<ul style="list-style-type: none"> <li>● TORN.ESP. DIN 6921 Hex.10 M8x30 Fil.22 Cal.10.9 GE 0/000.460.9138 (u. 2)</li> </ul>

**Freno Trasero**



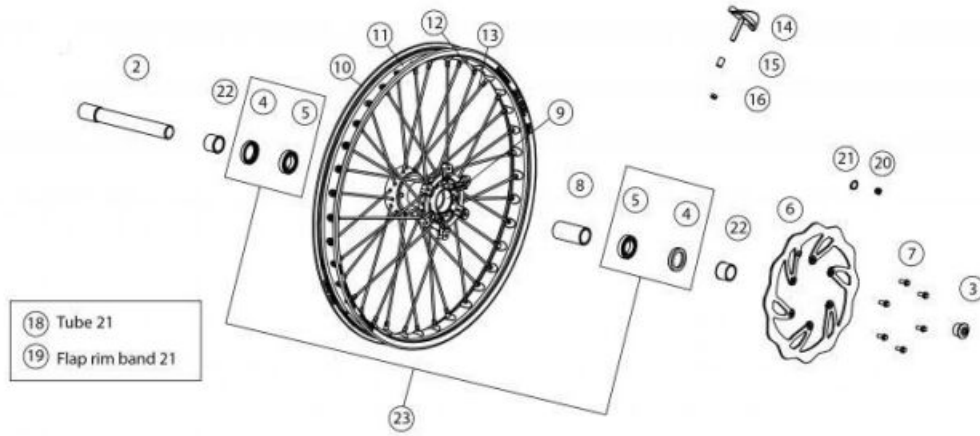
- |    |   |
|----|---|
| 1  | ● PASADOR 8X20 PEDAL FRENO<br>0/000.840.9101 (u. 1)   |
| 2  | ● CLAVILLA PASADOR FRENO 2X20<br>0/000.840.9102 (u. 1)  |
| 3  | ● CTO.BOMBA FRENO TRASERO EC 2018<br>0/000.820.9105 (u. 1)  |
| 4  | ● INTERRUPTOR 23-016/1 STOP BOMBA NISSIN 3<br>0/000.720.9104 (u. 1)   |
| 5  | ● ARANDELA LATIGUILLO 10X14X1<br>BE25622007 (u. 4)  |
| 6  | ● TORN.ESP. DIN 6921 Hex.8 M6x16 Cal.10.9 GEOMET<br>0/000.460.9119 (u. 2)   |
| 7  | ● ARANDELA 8X16X1 ZINCADA PEDAL FRENO GASGAS<br>0/000.440.0302 (u. 1)   |
| 8  | ● BRIDA 2,5x100 T18ROS-PA66HS-BK<br>0/000.680.0081 (u. 3)<br>● BRIDA UNEX NYLON CORTA 2221-0 2.5X98 =P380003<br>0/000.660.9106 (u. 3) |
| 9  | ● CTO.FRENO TRAS.EC-2018<br>0/000.820.9104 (u. 1)   |
| 10 | ● LATIGUILLO FRENO TRAS.EC-2009<br>BE661002509 (u. 1)   |
| 11 | ● KIT PASTILLAS FRENO TRAS.EC-2009 002-C94<br>BE675002509 (u. 1)  |
| 12 | ● PLATINA (B) SUJ.PAST.TRAS.002-C53-101<br>BE250022091 (u. 1)   |
| 13 | ● TORN.SUJ.PINZA 012-C54-001<br>BE250022096 (u. 1)  |
| 14 | ● TAP.SANGRADOR NISSIN 009-Z51-015<br>BE250022055 (u. 1)  |

15	<ul style="list-style-type: none"><li>● SANGRADOR NISSIN 079-Z50-001 BE250022060 (u. 1)</li></ul>
16	<ul style="list-style-type: none"><li>● SOP.PINZA FRENO TRAS.NISSIN EC-2009 BE671002509 (u. 1)</li></ul>
17	<ul style="list-style-type: none"><li>● TORN.CLAVIJA PINZA FRENO 082-C48-023 BE250022034 (u. 1)</li></ul>
18	<ul style="list-style-type: none"><li>● GUARDAPOLVO EC 002-C40-101 BE620682508 (u. 1)</li></ul>
19	<ul style="list-style-type: none"><li>● CTO.PINZA FRENO TRAS.+SOP.EC-2009 0/000.860.9102 (u. 1)</li></ul>
20	<ul style="list-style-type: none"><li>● PASADOR PASTILLAS TRAS.002-C50-053 BE250022094 (u. 1)</li></ul>
21	<ul style="list-style-type: none"><li>● PROTECC.PASADOR NISSIN 002-C51-012 BE250022095 (u. 1)</li></ul>
22	<ul style="list-style-type: none"><li>● GUARDAPOLVO PINZA EC 002-C49-104 BE620692508 (u. 1)</li></ul>
23	<ul style="list-style-type: none"><li>● PISTON PINZA FRENO TRAS.EC-2009 252-C34- BE675602509 (u. 1)</li></ul>
24	<ul style="list-style-type: none"><li>● RETEN PINZA FRENO TRAS.EC-2009 250-C43-0 BE675502509 (u. 1)</li></ul>
25	<ul style="list-style-type: none"><li>● RETEN PINZA FRENO TRAS.EC-2009 BE675552509 (u. 1)</li></ul>
26	<ul style="list-style-type: none"><li>● RACORD SUJ.LATIGUILLO 10X1,25(9257) BC25722006 (u. 1)</li></ul>



11	<ul style="list-style-type: none"> <li>● LATIGUILLO EMBR.ENDURO (FK003CE021E) BE250522003 (u. 1)</li> </ul>	
12	<ul style="list-style-type: none"> <li>● ARANDELA LATIGUILLO 10X14X1 BE25622007 (u. 2)</li> </ul>	
13	<ul style="list-style-type: none"> <li>● LATIGUILLO EMBR.ENDURO (FK003CE021E) BE250522003 (u. 1)</li> </ul>	
14	<ul style="list-style-type: none"> <li>● TORICA BOMB.EMB.LIQ.32X2 EPDM ME25632024 (u. 1)</li> </ul>	
15	<ul style="list-style-type: none"> <li>● TORN.ESP. DIN 6921 Hex.8 TX30 M6x20 Cal.10.9 GEOMET 0/000.460.9181 (u. 1)</li> </ul>	
	<ul style="list-style-type: none"> <li>● TORN.ESP. DIN 6921 Hex.8 M6x20 Cal.10.9 GEOMET 0/000.460.9120 (u. 1)</li> </ul>	<b>OBSOLETA</b>
16	<ul style="list-style-type: none"> <li>● KIT PATIN CADENA 3 COMP. BE43015CT-CLJ-1 (u. 1)</li> </ul>	
17	<ul style="list-style-type: none"> <li>● TORN.ESP. DIN 6921 Hex.8 M6x50 Fil.20 Cal.10.9 GEO 0/000.460.9126 (u. 2)</li> </ul>	
18	<ul style="list-style-type: none"> <li>● BOMBIN EMBRAGUE ME250632026 (u. 1)</li> </ul>	<b>OBSOLETA</b>
19	<ul style="list-style-type: none"> <li>● BOMBIN EMBRAGUE ME250632026 (u. 1)</li> </ul>	<b>OBSOLETA</b>
20	<ul style="list-style-type: none"> <li>● TAP.SANGRADOR FD-G006-00 BT27922055 (u. 1)</li> </ul>	
21	<ul style="list-style-type: none"> <li>● SANGRADOR PINZA EMBR.TT BE25622060 (u. 1)</li> </ul>	

## Rueda Delantera

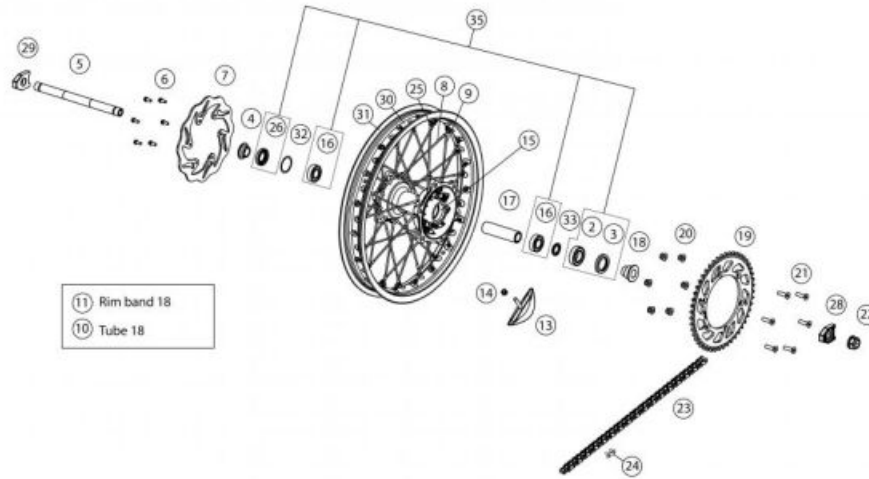


2	<ul style="list-style-type: none"> <li>TORNILLO INTERIOR EJE DELANTERO MR2022 0/000.460.9166 (u. 1)</li> </ul>
	<ul style="list-style-type: none"> <li>EJE RUEDA DEL.EC-2011 20.8CM 0/000.190.9102 (u. 1)</li> </ul>
3	<ul style="list-style-type: none"> <li>TUERCA EJE DELANTERO 0/000.340.9100 (u. 1)</li> </ul>
4	<ul style="list-style-type: none"> <li>RETEN CUBO DEL.390.99.59-30X42X7 HMSA10 RG BE250418057 (u. 2)</li> </ul>
5	<ul style="list-style-type: none"> <li>RODAM.61905 2RS1 ME120136055 (u. 2)</li> </ul>
6	<ul style="list-style-type: none"> <li>DISCO FRENO DELANTERO MR 260mm 0/001.090.9107 (u. 1)</li> </ul>
7	<ul style="list-style-type: none"> <li>TORN.ESP. DIN 6921 Hex.8 M6x14 C/Tufflock 306 Yello 0/000.460.9142 (u. 1)</li> </ul>
8	<ul style="list-style-type: none"> <li>CASQ.SEP.CUBO DEL.390.80.234 BE250418058 (u. 1)</li> </ul>
9	<ul style="list-style-type: none"> <li>CUBO RUEDA DEL.EC 2014 BE54110GG-CAB-1 (u. 1)</li> </ul>
10	<ul style="list-style-type: none"> <li>LLANTA DEL.EXCEL NG.EC-2009 0/000.230.9101 (u. 1)</li> </ul>
11	<ul style="list-style-type: none"> <li>CTO.LLANTA DELANTERA RADIADA EC 2018 0/000.110.9100 (u. 1)</li> </ul>
12	<ul style="list-style-type: none"> <li>TUERCA RADIO DEL. BE542503013 (u. 36)</li> </ul>
13	<ul style="list-style-type: none"> <li>RADIO DEL.EC-2013 BE542003013 (u. 36)</li> </ul>
14	<ul style="list-style-type: none"> <li>AGARRE DEL.EC-2009 1.6x21 0/000.220.9114 (u. 1)</li> </ul>
15	<ul style="list-style-type: none"> <li>CASQ.AGARRE CUBIERTA EC-2010 8X12X12 0/000.480.9112 (u. 1)</li> </ul>

16	● TUERCA AUTOBL.M-8 BAJA DIN 985 ZINC 0/000.340.9114 (u. 1)
18	● CAMARA DELANTERA 21MDR VALVE TR4 833092 0/000.520.9100 (u. 1)
19	● PROT.BANDA DEL.FLAP 1.60/1.85 X 21(1400X25) 949947 0/000.220.9108 (u. 1)
20	● IMAN EC 2010 0/001.010.9101 (u. 1)
21	● SEGEER A 9 SOP.IMAN EC 2010 DIN 471 INOX 0/000.300.9100 (u. 1)
22	● CASQUILLO RUEDA DELANTERA 0/000.480.9100 (u. 1)
23	● KIT COJINETES I RETENES RUEDA DEL. BE51000CT2510 (u. 1)



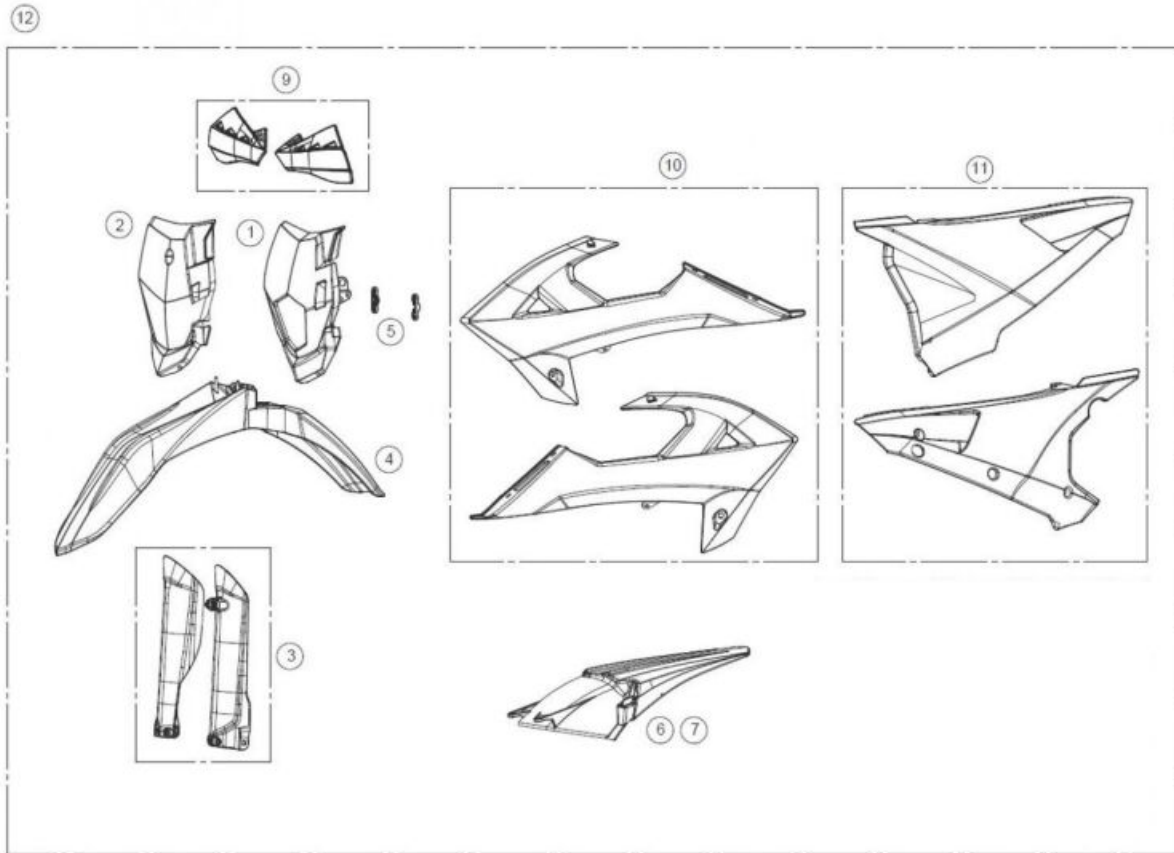
**Rueda Trasera**



2	<ul style="list-style-type: none"> <li>● COJINETE RUEDA TRAS.6005-2SRH C3 BE250318054 (u. 1)</li> </ul>	
3	<ul style="list-style-type: none"> <li>● RETEN RUEDA TT 2003 32X47X7 BE250318055 (u. 1)</li> </ul>	
4	<ul style="list-style-type: none"> <li>● DIST.RUEDA TRAS.CORTO EC-2000 0/000.480.9104 (u. 1)</li> </ul>	
5	<ul style="list-style-type: none"> <li>● EJE RUEDA TRAS.EC 2018 0/000.190.9103 (u. 1)</li> </ul>	
6	<ul style="list-style-type: none"> <li>● TORN.ESP. DIN 6921 Hex.8 M6x14 Cal.10.9 GEOMET 0/000.460.9118 (u. 6)</li> </ul>	
7	<ul style="list-style-type: none"> <li>● D.FRENO.TRAS.FLOR 1057X EC-2010 0/001.090.9102 (u. 1)</li> </ul>	<b>OBSOLETA</b>
	<ul style="list-style-type: none"> <li>● DISCO FRENO TRASERO MR 220mm 0/001.090.9108 (u. 1)</li> </ul>	
8	<ul style="list-style-type: none"> <li>● RADIO 192X4.5 LADO FRENO 18" BE59200GG-CLJ-1 (u. 18)</li> </ul>	
9	<ul style="list-style-type: none"> <li>● RADIO 188X4.5 LADO CORONA 18" BE59210GG-CLJ-1 (u. 18)</li> </ul>	
10	<ul style="list-style-type: none"> <li>● CAMARA TRASERA CH 18 MGR VALVE TR4 MICHELIN 0/000.520.9102 (u. 1)</li> </ul>	
11	<ul style="list-style-type: none"> <li>● PROT.BANDA TRASERO 1.60/2.00 X 18/19 (1300X25) 656415 MICHELIN 0/000.220.9110 (u. 1)</li> </ul>	
13	<ul style="list-style-type: none"> <li>● AGARRE TRAS.EC-2009 2.15x18 0/000.220.9115 (u. 1)</li> </ul>	
14	<ul style="list-style-type: none"> <li>● TUERCA AUTOBL.M-8 BAJA DIN 985 ZINC 0/000.340.9114 (u. 1)</li> </ul>	
15	<ul style="list-style-type: none"> <li>● CUBO RUEDA TRASERA EC 2018 BE59100GG-CLJ-1 (u. 1)</li> </ul>	

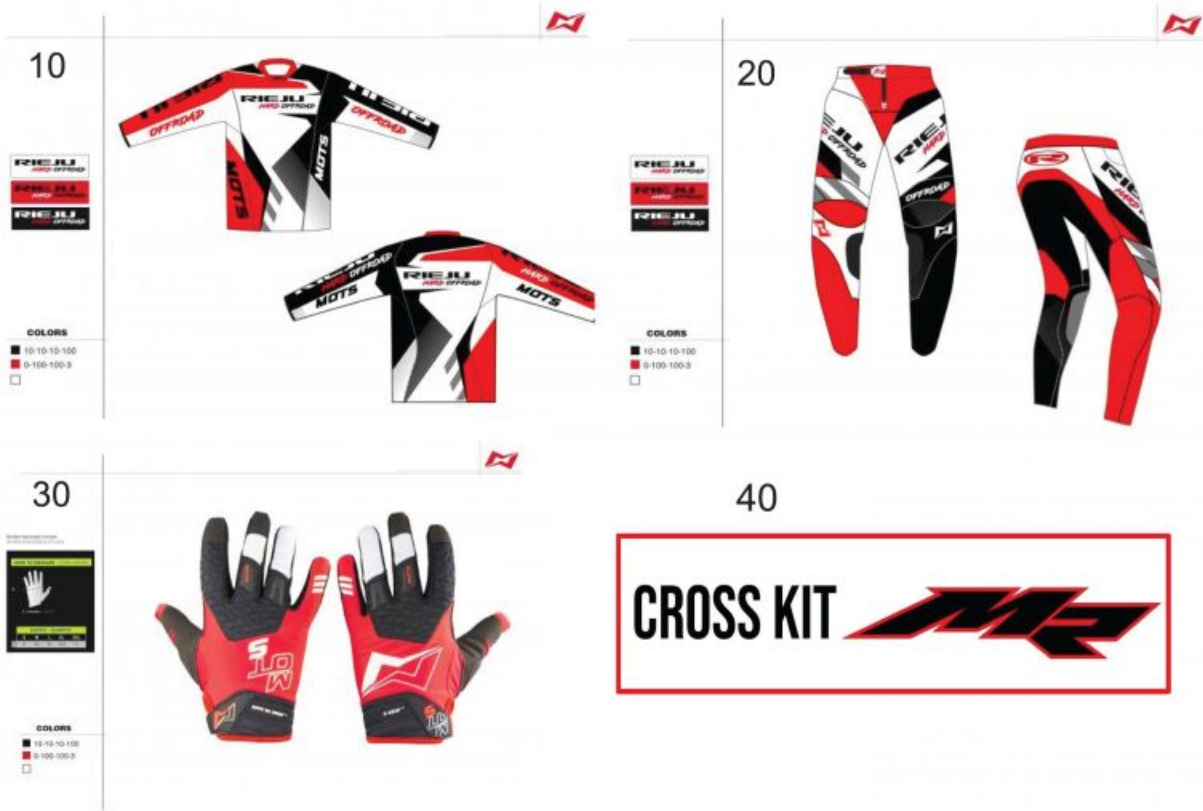
16	<ul style="list-style-type: none"> <li>● COJINETE 6004 2RS1 C160001 (u. 2)</li> </ul>
17	<ul style="list-style-type: none"> <li>● DISTANCIADOR INTERIOR BUJE TRASERO ENDURO 2018 BE59105GG-CLJ-1 (u. 1)</li> </ul>
18	<ul style="list-style-type: none"> <li>● DIST.RUEDA TRAS.IZQ.ENDURO 2018 0/000.480.9113 (u. 1)</li> </ul>
19	<ul style="list-style-type: none"> <li>● PLATO ARRASTRE Z-49 CROSS 250 0/000.500.9100 (u. 1)</li> </ul>
	<ul style="list-style-type: none"> <li>● CORONA Z 50 ENDURO 2014 COLOR TIT. 0/000.500.9102 (u. 1)</li> </ul>
	<ul style="list-style-type: none"> <li>● CORONA Z 48 ENDURO 2011 COLOR TIT. 0/000.500.9101 (u. 1)</li> </ul>
20	<ul style="list-style-type: none"> <li>● TUERCA DIN 6926 M8 Cal.8 Z/BLANCO 0/000.340.0180 (u. 6)</li> </ul>
21	<ul style="list-style-type: none"> <li>● ALLEN CONICO 8X30 DIN 7991 ZINC 12.9 0/000.460.9153 (u. 6)</li> </ul>
22	<ul style="list-style-type: none"> <li>● TUERCA RUEDA TRAS.ENDURO 2018 0/000.340.9104 (u. 1)</li> </ul>
23	<ul style="list-style-type: none"> <li>● CADENA GSX CON ENG. A. 0/001.050.9102 (u. 1) - <i>HOMOLOG</i></li> </ul>
	<ul style="list-style-type: none"> <li>● CADENA 520 X-RING CON ENG. ESTUCHADA de 112 PASOS (CON RETENES) 0/001.050.9100 (u. 1) - <i>NO HOMOLOGADA</i></li> </ul>
24	<ul style="list-style-type: none"> <li>● ENGANCHE CADENA 520 X-RING 0/001.050.9110 (u. 1)</li> </ul>
25	<ul style="list-style-type: none"> <li>● TUERCA RADIO TRASERO BE592153013 (u. 36)</li> </ul>
26	<ul style="list-style-type: none"> <li>● RETEN RUEDA DEL.TT 25x42x7 C160710 (u. 1)</li> </ul>
28	<ul style="list-style-type: none"> <li>● TENSOR CADENA PASANTE ENDURO 2018 0/000.380.9101 (u. 1)</li> </ul>
29	<ul style="list-style-type: none"> <li>● TENSOR CADENA CIEGO ENDURO 2018 0/000.380.9100 (u. 1)</li> </ul>
30	<ul style="list-style-type: none"> <li>● CTO.LLANTA TRASERA RADIADA EC 2018 0/000.120.9100 (u. 1)</li> </ul>
31	<ul style="list-style-type: none"> <li>● LLANTA TRAS.EXCEL NG.EC-2009 0/000.230.9103 (u. 1)</li> </ul>
32	<ul style="list-style-type: none"> <li>● ANILLO SEGEER DIA.42 BE25618038 (u. 1)</li> </ul>
33	<ul style="list-style-type: none"> <li>● ARANDELA SUPLEMENTO RODA BE250318056 (u. 1)</li> </ul>
35	<ul style="list-style-type: none"> <li>● KIT COJINETES I RETENES RUEDA TRAS. BE56000CT2510 (u. 1)</li> </ul>

Plastic



1	<ul style="list-style-type: none"> <li>● PORTAFARO DEL.EC 2018 BL. 0/000.620.9100 (u. 1)</li> </ul>	
2	<ul style="list-style-type: none"> <li>● PLACA PORTANUMEROS DELANTERA CROSS COUNTRY 2018 BLANCA 0/000.570.9113 (u. 1)</li> </ul>	
3	<ul style="list-style-type: none"> <li>● JUEGO PROT.HORQ. NEGRO MR 0/000.220.9118 (u. 1)</li> </ul>	
4	<ul style="list-style-type: none"> <li>● GUARDAB.DEL.MR NEGRO 0/000.050.9100 (u. 1)</li> </ul>	
5	<ul style="list-style-type: none"> <li>● SOPORTE FARO MR BLANCO INY 0/000.980.9104 (u. 1)</li> </ul>	<b>OBSOLETA</b>
	<ul style="list-style-type: none"> <li>● SOPORTE PORTAFARO MR NEGRO INY. 0/000.980.9127 (u. 1)</li> </ul>	
6	<ul style="list-style-type: none"> <li>● CTO.GUARDAB.TRAS.EC 2018 BL. 0/000.060.9100 (u. 1)</li> </ul>	
7	<ul style="list-style-type: none"> <li>● GUARDABARROS TRASERO CROSS COUNTRY 2018 BLANCO 0/000.060.9103 (u. 1)</li> </ul>	
9	<ul style="list-style-type: none"> <li>● CTO.PARAMANOS ENDURO BLANCO (QWEST) 0/000.770.9100 (u. 1)</li> </ul>	
10	<ul style="list-style-type: none"> <li>● KIT PLACAS PROTECCION RADIADOR NEGRAS MR 0/K00.570.9102 (u. 1)</li> </ul>	
11	<ul style="list-style-type: none"> <li>● KIT PLACAS LATERALES PORTANUMEROS BLANCAS MR 0/K00.570.9101 (u. 1)</li> </ul>	
12	<ul style="list-style-type: none"> <li>● KIT PLASTICA NEGRO/BLANCO RIEJU MR 0/K00.570.9103 (u. 1)</li> </ul>	

Accesorios

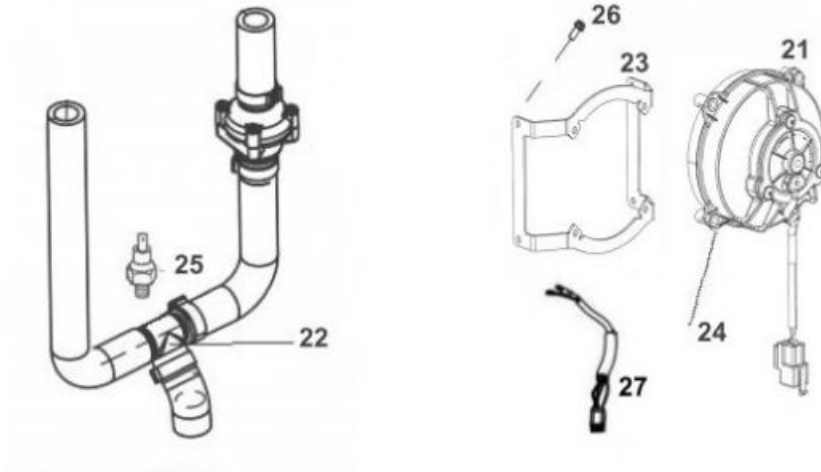


- CAMISA HARD OFF ROAD RED TALLA S  
0/000.001.0270 (u. 1)
- CAMISA HARD OFF ROAD RED TALLA L  
0/000.001.0272 (u. 1)
- 10 ● CAMISA HARD OFF ROAD RED TALLA XL  
0/000.001.0273 (u. 1)
- CAMISA HARD OFF ROAD RED TALLA M  
0/000.001.0271 (u. 1) - *Camisa HARD OFF ROAD 2021*
- CAMISA HARD OFF ROAD RED TALLA XXL  
0/000.001.0274 (u. 1)
- PANTALON HARD OFF ROAD RED TALLA XL  
0/000.001.0279 (u. 1)
- PANTALON HARD OFF ROAD RED TALLA L  
0/000.001.0277 (u. 1)
- 20 ● PANTALON HARD OFF ROAD RED TALLA XL  
0/000.001.0278 (u. 1)
- PANTALON HARD OFF ROAD RED TALLA M  
0/000.001.0276 (u. 1)
- PANTALON HARD OFF ROAD RED TALLA S  
0/000.001.0275 (u. 1)

	<ul style="list-style-type: none"><li>● GUANTES HARD OFF ROAD 2021 TALLA L 0/000.001.0282 (u. 1)</li></ul>	<b>OBSOLETA</b>
	<ul style="list-style-type: none"><li>● GUANTES HARD OFF ROAD 2021 TALLA M 0/000.001.0281 (u. 1)</li></ul>	<b>OBSOLETA</b>
<b>30</b>	<ul style="list-style-type: none"><li>● GUANTES HARD OFF ROAD 2021 TALLA XXL 0/000.001.0284 (u. 1)</li></ul>	
	<ul style="list-style-type: none"><li>● GUANTES HARD OFF ROAD 2021 TALLA S 0/000.001.0280 (u. 1)</li></ul>	<b>OBSOLETA</b>
	<ul style="list-style-type: none"><li>● GUANTES HARD OFF ROAD 2021 TALLA XL 0/000.001.0283 (u. 1)</li></ul>	<b>OBSOLETA</b>
<b>40</b>	<ul style="list-style-type: none"><li>● KIT EC CONVERTIR EN XC BE99996CT-CMV-1 (u. 1)</li></ul>	

**Kit Electroventilador**

**28 = 21, 22, 23, 24,  
25, 26, 27**



21	<ul style="list-style-type: none"> <li>ELECTROVENTILADOR 0/005.060.9100 (u. 1)</li> </ul>
22	<ul style="list-style-type: none"> <li>CONECTOR TIPO "T" RADIADOR MR 0/000.290.9119 (u. 1)</li> </ul>
23	<ul style="list-style-type: none"> <li>SOPORTE ELECTROVENTILADOR MR 0/000.980.9124 (u. 1)</li> </ul>
24	<ul style="list-style-type: none"> <li>TORNILLO CELO RHS81P 5x12 Torx Z/BLANCO 0/000.460.0090 (u. 4)</li> </ul>
25	<ul style="list-style-type: none"> <li>SENSOR TEMPERATURA 87º M14x1,5 0/001.010.9102 (u. 1)</li> </ul>
26	<ul style="list-style-type: none"> <li>REMACHE DIN 7337/A 5x10 0/000.330.0052 (u. 4)</li> </ul>
	<ul style="list-style-type: none"> <li>REMACHE DIN 7337/B 4,8x10 L/NEGRO 0/000.330.0053 (u. 4)</li> </ul>
27	<ul style="list-style-type: none"> <li>INSTALACION ELECTROVENTILADOR MR 0/000.160.9111 (u. 1)</li> </ul>
28	<ul style="list-style-type: none"> <li>KIT ELECTROVENTILADOR MR + SOPORTE + INSTALACION 0/K05.060.9100 (u. 1) - Para chasis &lt; L00520 necesita 0/000.160.9112</li> </ul>

CALCA ESCAPE



0/000.390.9133 CALCA ESCAPE MR 202

1

- CALCA ESCAPE MR 2022  
0/000.390.9133 (u. 1)

**CALCAS LENTICULAR LATERAL**



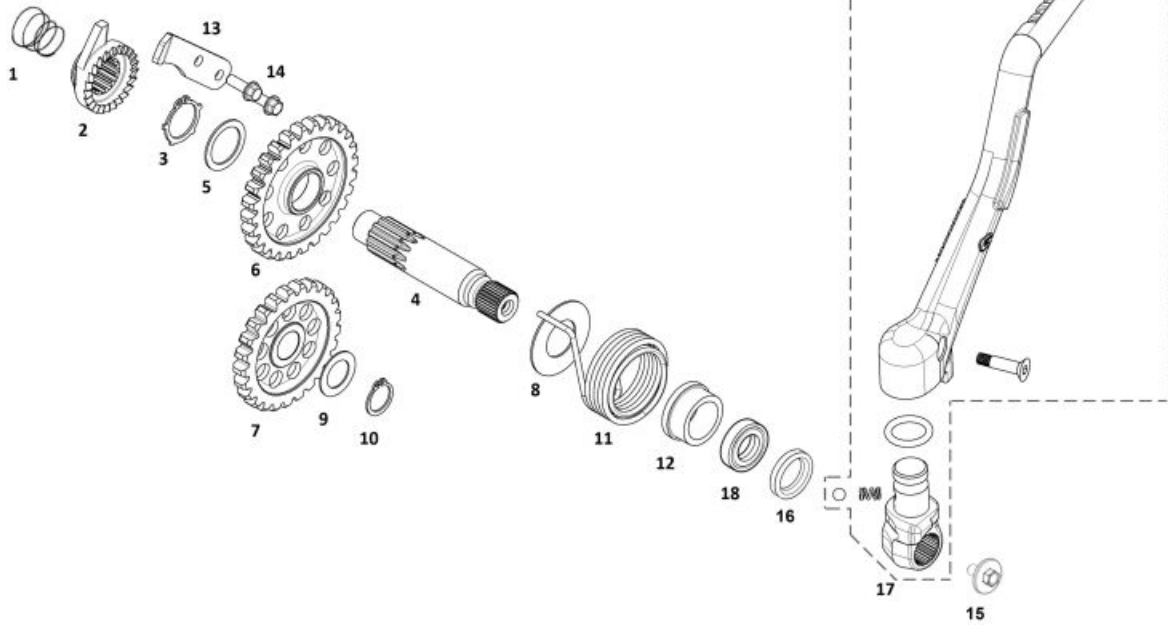
1

- JUEGO CALCAS LENTICULAR LATERAL MR 2022  
0/000.390.9134 (u. 1)



# ENGINE MR 2022 V1

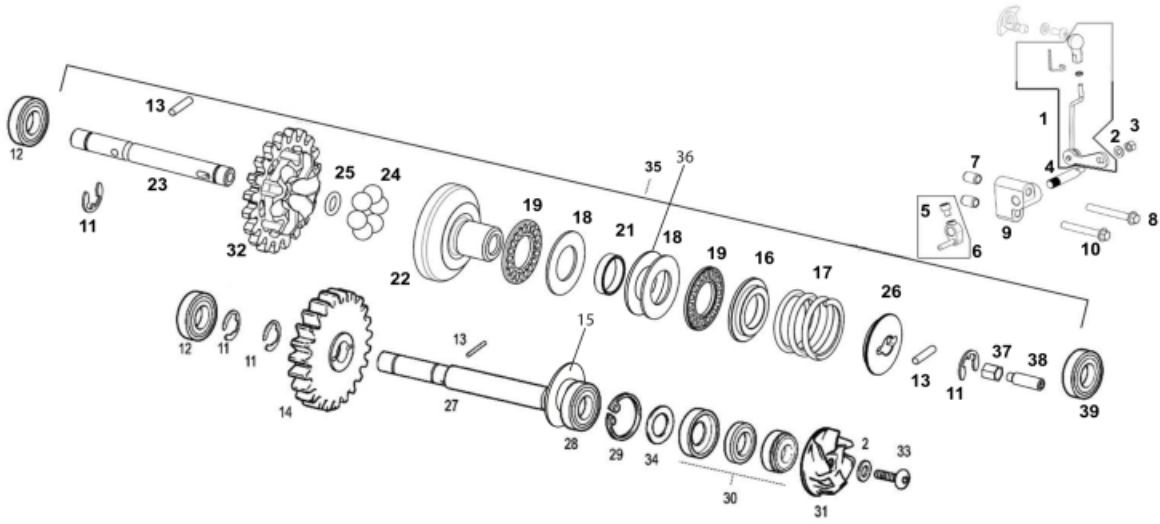
## PALANCA ARRANQUE



1	<ul style="list-style-type: none"> <li>MUELLE TRINQUETE ARRANQUE 0/000.470.9109 (u. 1)</li> </ul>
2	<ul style="list-style-type: none"> <li>TRINQUETE ARRANQUE EC125cc 0/005.400.9110 (u. 1)</li> </ul>
3	<ul style="list-style-type: none"> <li>SEEGER D.20 DIN 471 0/000.300.9105 (u. 1)</li> </ul>
4	<ul style="list-style-type: none"> <li>EJE ARRANQUE EC-2001 0/005.400.9106 (u. 1)</li> </ul>
5	<ul style="list-style-type: none"> <li>ARAN.TOPE 27X20.2X1 DESPL ARRAN. 0/000.440.9109 (u. 1)</li> </ul>
6	<ul style="list-style-type: none"> <li>PIÑÓN ARRANQUE EC-2001 0/005.400.9105 (u. 1)</li> </ul>
7	<ul style="list-style-type: none"> <li>PIÑÓN INT.ARRANQUE EC-2008 0/005.400.9108 (u. 1)</li> </ul>
8	<ul style="list-style-type: none"> <li>ARANDELA ARRANQUE 40x20,15x1 0/000.440.9111 (u. 1)</li> </ul>
9	<ul style="list-style-type: none"> <li>VOLANDERA PIÑÓN ARRAN.24X15.15X0.8 0/000.440.9110 (u. 1)</li> </ul>
10	<ul style="list-style-type: none"> <li>ANILLO SEGGER DIN 471 DE 15 0/000.300.9101 (u. 1)</li> </ul>
11	<ul style="list-style-type: none"> <li>MUELLE ARRANQUE 0/000.470.9110 (u. 1)</li> </ul>
12	<ul style="list-style-type: none"> <li>CASQ.CENTRADOR MUELLE ARRANQUE 0/000.480.9125 (u. 1)</li> </ul>
13	<ul style="list-style-type: none"> <li>PLATINA TRINQUETE ARRANQUE 0/000.980.9114 (u. 1)</li> </ul>
14	<ul style="list-style-type: none"> <li>TORN.ESP.+ARAND.5x15 DIN 6921 GEOMET 10.9 0/000.460.9115 (u. 2)</li> </ul>
15	<ul style="list-style-type: none"> <li>TORNILLO ESPECIAL 6X11 GEOMET 10.9 0/000.460.9134 (u. 1)</li> </ul>
16	<ul style="list-style-type: none"> <li>CASQ.TOPE PEDAL ARRANQUE EC 2014 0/000.480.9126 (u. 1)</li> </ul>

17	<ul style="list-style-type: none"><li>• PALANCA ARRANQUE MR 2021 0/005.430.9103 (u. 1)</li></ul>
18	<ul style="list-style-type: none"><li>• RETEN PEDAL ARRAN.20X30X7 0/000.890.9105 (u. 1)</li></ul>

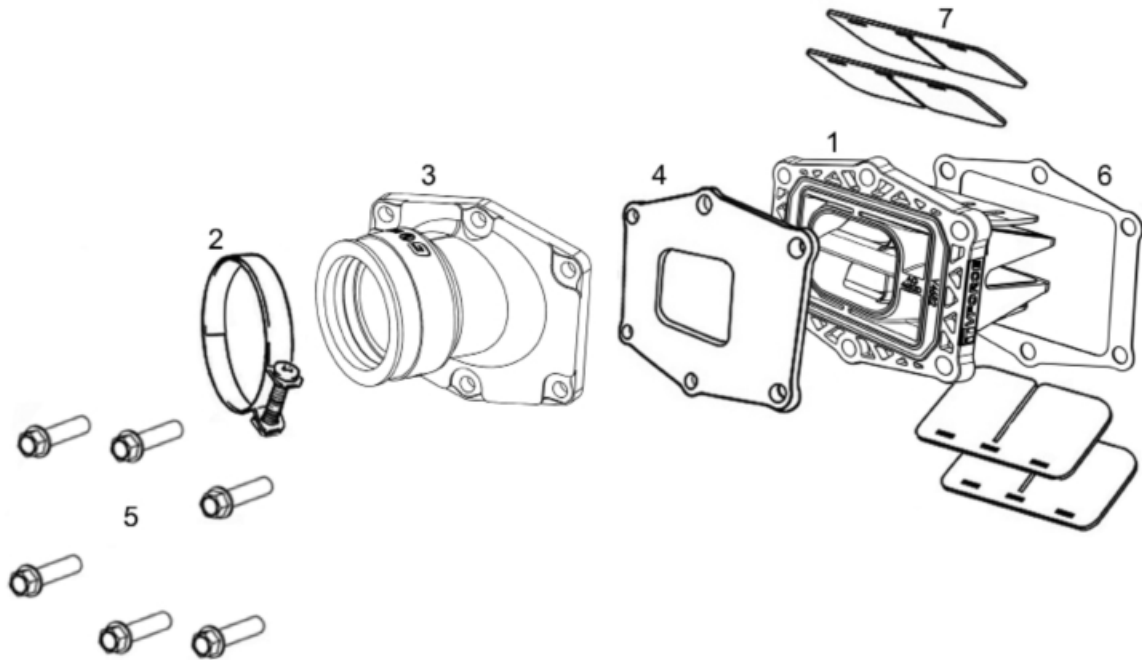
**BOMBA DE AGUA**



1	<ul style="list-style-type: none"> <li>CTO.VARILLA VALV.ESCAPE COMPLETO EC 2015 0/000.640.9104 (u. 1)</li> </ul>	
2	<ul style="list-style-type: none"> <li>ARANDELA 5X12X1.5 DIN 125A ZINC 0/000.440.9121 (u. 2)</li> </ul>	
3	<ul style="list-style-type: none"> <li>TUERCA AUTOBL. M-5 BAJA DIN-985 ZINC 8 0/000.340.9112 (u. 1)</li> </ul>	
4	<ul style="list-style-type: none"> <li>EJE PALANCA CENTRIFUGO 0/000.190.9108 (u. 1)</li> </ul>	
6	<ul style="list-style-type: none"> <li>CTO.PALANCA SALIDA CENTRIF. EC 300 2011 0/005.490.9101 (u. 1)</li> </ul>	
7	<ul style="list-style-type: none"> <li>CASQ.CENTRADOR CARTER 6X9X14 =ME25610018 0/000.480.9119 (u. 2)</li> </ul>	
8	<ul style="list-style-type: none"> <li>TORN.ESP. DIN 6921 Hex.8 M6x60 Cal.10.9 GEOMET 0/000.460.9128 (u. 1)</li> </ul>	
9	<ul style="list-style-type: none"> <li>SOPORTE EJE MANDO VALVULA EC 2015 0/000.980.9115 (u. 1)</li> </ul>	
10	<ul style="list-style-type: none"> <li>TORN.ESP. DIN 6921 Hex.8 M6x40 Fil.20 Cal.10.9 GEO 0/000.460.9125 (u. 1)</li> </ul>	
11	<ul style="list-style-type: none"> <li>ANILLO SEGGER DIN 6799 DE 7 0/000.300.9103 (u. 4)</li> </ul>	
12	<ul style="list-style-type: none"> <li>RODA.EJE CENTRI.Y BOMBA 608.Z.C3 0/000.960.9108 (u. 2)</li> </ul>	
13	<ul style="list-style-type: none"> <li>RODILLO 3X14 .DIN 7 ISO 2338 INOX A1 BOMBA AGUA CENTRIFUGO 0/000.280.9101 (u. 3)</li> </ul>	
14	<ul style="list-style-type: none"> <li>PIÑON BOMBA AGUA Y CENTRI. 0/005.400.9111 (u. 1)</li> </ul>	
15	<ul style="list-style-type: none"> <li>ARANDELA DIAM.10 X DIAM.19 X 0,5 0/000.440.9113 (u. 1)</li> </ul>	
16	<ul style="list-style-type: none"> <li>RETEN RESORTE ME59026GG-CEQ-1 (u. 1) - 250cc / 300cc</li> </ul>	<b>OBSOLETA</b>
17	<ul style="list-style-type: none"> <li>MUELLE CENTRIFUGO VALV.ESC.99 ME25916026 (u. 1) - 250cc / 300cc</li> </ul>	
18	<ul style="list-style-type: none"> <li>PLACA JAULA AGUJA AS 15 0/000.440.9107 (u. 2)</li> </ul>	
19	<ul style="list-style-type: none"> <li>JAULA AGUJA AXK 1528 0/000.960.9109 (u. 2)</li> </ul>	

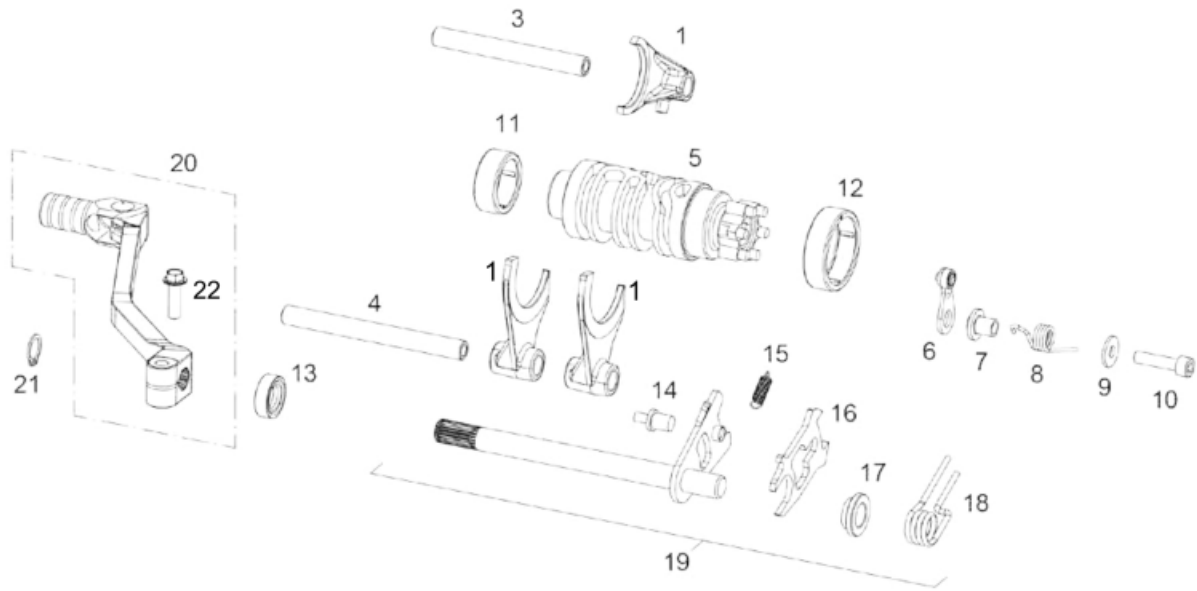
21	<ul style="list-style-type: none"> <li>SEP.COJINETE CENTRIFUGO ME25616008 (u. 1)</li> </ul>	
22	<ul style="list-style-type: none"> <li>CAMPANA CENTRIFUGO EC 2015 ME59030GG-CEQ-1 (u. 1)</li> </ul>	OBSOLETA
23	<ul style="list-style-type: none"> <li>EJE CENTRIFUGO EC 2015 ME59015GG-CEQ-1 (u. 1)</li> </ul>	
24	<ul style="list-style-type: none"> <li>BOLA CENTRIFUGO EMB.DE 8 m/m. ME25616033 (u. 6)</li> </ul>	OBSOLETA
25	<ul style="list-style-type: none"> <li>TORICA 6X2 EJE CENTR.VAL.ESCAPE ME25616045 (u. 1)</li> </ul>	
26	<ul style="list-style-type: none"> <li>ARAMDELA APYO MUELLE EC 300 2015 ME59025GG-CEQ-1 (u. 1) - 250cc / 300cc</li> </ul>	OBSOLETA
27	<ul style="list-style-type: none"> <li>EJE PIÑON BOMBA AGUA 0/000.190.9104 (u. 1)</li> </ul>	
28	<ul style="list-style-type: none"> <li>RODAM.BOMBA AGUA 6000C3Z =M03313001 0/000.960.9107 (u. 1)</li> </ul>	
29	<ul style="list-style-type: none"> <li>SEEGER D.26 DIN 472-I26 0/000.300.9106 (u. 1)</li> </ul>	
30	<ul style="list-style-type: none"> <li>RETEN BOMBA AGUA (ESTOPADA) 1510 CA/CE 1 0/000.890.9104 (u. 1)</li> </ul>	
31	<ul style="list-style-type: none"> <li>TURBINA BOMBA AGUA 2014 0/005.220.9100 (u. 1)</li> </ul>	
32	<ul style="list-style-type: none"> <li>PIÑON CENTRIFUGO EC 300 2015 ME59050GG-CEQ-1 (u. 1)</li> </ul>	
34	<ul style="list-style-type: none"> <li>ARANDELA 25.8x17.5x0.5 BOMBA AGUA 0/000.440.9103 (u. 1)</li> </ul>	
35	<ul style="list-style-type: none"> <li>CENTRIFUGO COMPLETO EC 300 2015 0/000.640.9101 (u. 1)</li> </ul>	
	<ul style="list-style-type: none"> <li>CENTRIFUGO COMPLETO EC 200 2019 0/000.640.9102 (u. 1)</li> </ul>	
39	<ul style="list-style-type: none"> <li>RODAMIENTO BOL. 619/8-ZZ 0/000.960.9105 (u. 1)</li> </ul>	

**VALVULA DE LAMINAS**



1	<ul style="list-style-type: none"> <li>● CAJA LAMINAS V-FORCE 4 0/005.600.9100 (u. 1)</li> <li>● CAJA LAMINAS V405D 0/005.600.9102 (u. 1)</li> </ul>	<b>OBSOLETA</b>
2	<ul style="list-style-type: none"> <li>● ABRAZ.S56/9 W1 ZINC 0/000.680.9109 (u. 1)</li> </ul>	
3	<ul style="list-style-type: none"> <li>● TUBERA ADMISION ENDURO 2018 0/000.290.9116 (u. 1)</li> </ul>	
4	<ul style="list-style-type: none"> <li>● JUNTA CAJA LAMINAS TUBERA ENDURO 2018 0/000.490.9114 (u. 1)</li> </ul>	
5	<ul style="list-style-type: none"> <li>● TORN.ESP. DIN 6921 Hex.8 M6x25 Cal.10.9 GEOMET 0/000.460.9121 (u. 6)</li> </ul>	
6	<ul style="list-style-type: none"> <li>● JUNTA CAJA LAMINAS- CARTER V-FORCE 4 0/000.490.9120 (u. 1)</li> </ul>	
7	<ul style="list-style-type: none"> <li>● JUEGO LAMINAS ADMISION ME27000GG-CAB-1 (u. 2)</li> </ul>	

**EJE DE CAMBIO**



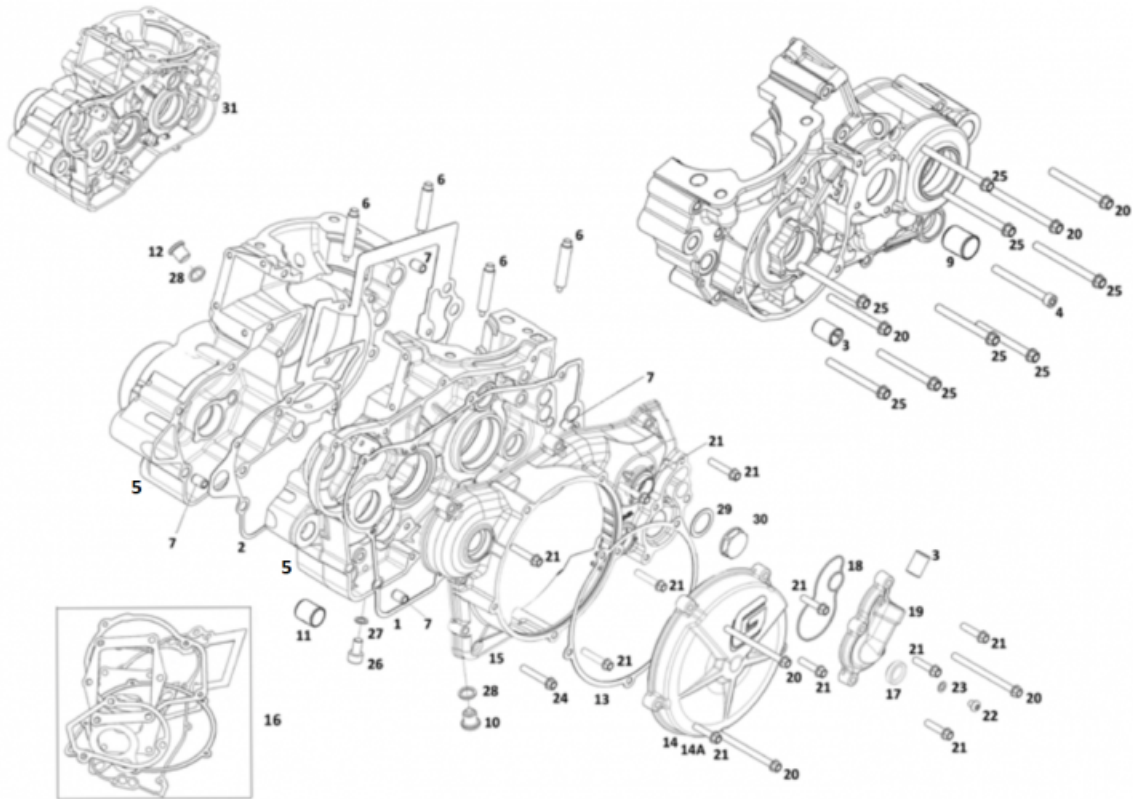
1	<ul style="list-style-type: none"> <li>KIT HORQUILLAS PRIMARIO Y SECUNDARIO ENDURO 2018 ME47000CT-CLJ-1 (u. 1)</li> </ul>
3	<ul style="list-style-type: none"> <li>EJE HORQ.CORTO 0/000.190.9107 (u. 1)</li> </ul>
4	<ul style="list-style-type: none"> <li>EJE HORQ.LARGO 0/000.190.9106 (u. 1)</li> </ul>
5	<ul style="list-style-type: none"> <li>DESMODROMICO EC-2005 0/005.090.9100 (u. 1)</li> </ul>
6	<ul style="list-style-type: none"> <li>FIJADOR MARCHAS EC COMP. 0/005.560.9100 (u. 1)</li> </ul>
7	<ul style="list-style-type: none"> <li>CASQU.PLATINA FIJ.MARCHAS 0/000.480.9122 (u. 1)</li> </ul>
8	<ul style="list-style-type: none"> <li>MUELLE FIJADOR MARCHAS EC-2000 0/000.470.9108 (u. 1)</li> </ul>
9	<ul style="list-style-type: none"> <li>ARANDELA PLANA 6.5X16X1.5 DIN 125 ZINC 0/000.440.9125 (u. 1)</li> </ul>
10	<ul style="list-style-type: none"> <li>TORN.ESP. DIN 6921 Hex.8 M6x25 Cal.10.9 GEOMET 0/000.460.9121 (u. 1)</li> </ul>
11	<ul style="list-style-type: none"> <li>RODAM.DESMODROMICO HK2512 =M03645000 0/000.960.9111 (u. 1)</li> </ul>
12	<ul style="list-style-type: none"> <li>ROD.DESMO.HK3512=M03650000 0/000.960.9110 (u. 1)</li> </ul>
13	<ul style="list-style-type: none"> <li>RETEN SELEC.12-22-7 AS-CC =M03821000 0/000.890.9107 (u. 1)</li> </ul>
14	<ul style="list-style-type: none"> <li>TORN.CENTR.MUELLE SELEC. 0/000.460.9110 (u. 2)</li> </ul>
15	<ul style="list-style-type: none"> <li>MUELLE ESCORPION 250.TT. ME25636039 (u. 1)</li> </ul>
16	<ul style="list-style-type: none"> <li>ESCORPION EC250-2002 ME250236036 (u. 1)</li> </ul>
17	<ul style="list-style-type: none"> <li>DOLLA CENTRADOR ESCORPION EC250-2002 ME250236041 (u. 1)</li> </ul>
18	<ul style="list-style-type: none"> <li>MUELLE SELEC. ME25636035 (u. 1)</li> </ul>
19	<ul style="list-style-type: none"> <li>EJE SELEC.COMP.EC250 0/005.010.9100 (u. 1)</li> </ul>

20	<ul style="list-style-type: none"><li>CTO.PEDAL CAMBIO RF 2014 0/005.430.9100 (u. 1)</li></ul>
21	<ul style="list-style-type: none"><li>ANILLO SEGGER DIN 471 DE 12 0/000.300.9104 (u. 1)</li></ul>
22	<ul style="list-style-type: none"><li>TORN.ESP. DIN 6921 Hex.8 TX30 M6x20 Cal.10.9 GEOMET 0/000.460.9181 (u. 1)</li></ul>
	<ul style="list-style-type: none"><li>TORN.ESP. DIN 6921 Hex.8 M6x20 Cal.10.9 GEOMET 0/000.460.9120 (u. 1)</li></ul>

**OBSOLETA**



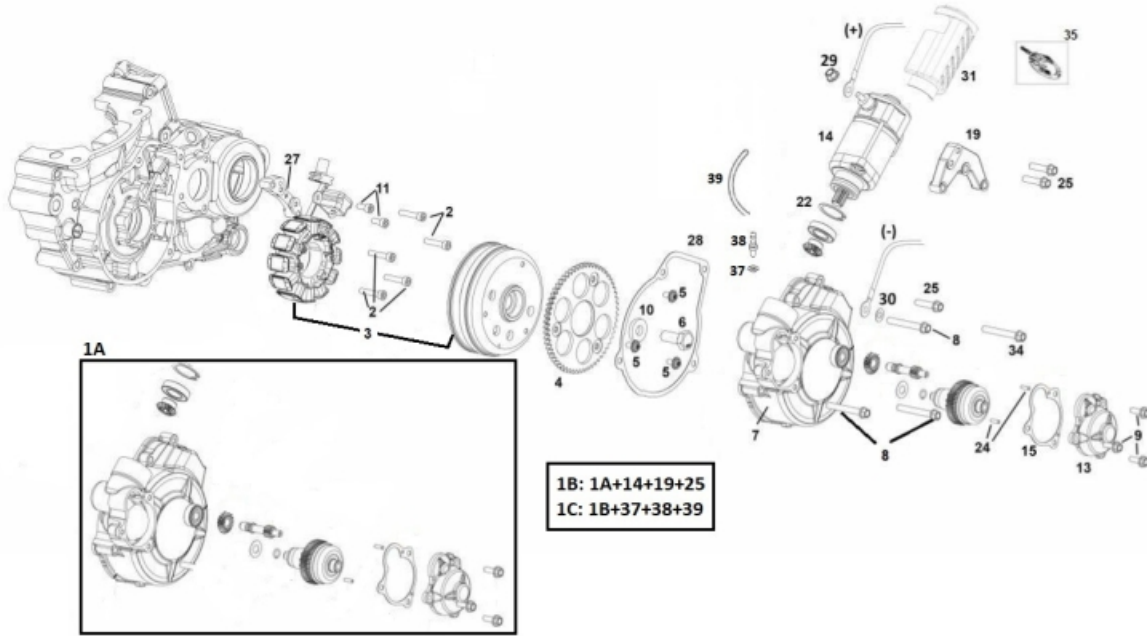
**CARTER**



1	<ul style="list-style-type: none"> <li>JUNTA TAPA EMBR FOAMET 0.6mm 0/000.490.9108 (u. 1)</li> </ul>
2	<ul style="list-style-type: none"> <li>JUNTA CARTER 2018 0/000.490.9118 (u. 1)</li> </ul>
3	<ul style="list-style-type: none"> <li>RACORD ENTRADA AGUA 0/000.480.9123 (u. 2)</li> </ul>
4	<ul style="list-style-type: none"> <li>ALLEN 6X60 DIN 912 ZINC 12.9 0/000.460.9150 (u. 1)</li> </ul>
5	<ul style="list-style-type: none"> <li>CTO.CARTERS ENDURO 300 2018 ME10000CT-CLJ-1 (u. 1)</li> <li>CTO.CARTERS ENDURO 200 2018 ME10000CT-CLP-1 (u. 1)</li> </ul>
6	<ul style="list-style-type: none"> <li>ESPARRAGO CIL. 0/000.280.9100 (u. 4)</li> </ul>
7	<ul style="list-style-type: none"> <li>CASQ.CENTRADOR CARTER 6X9X14 =ME25610018 0/000.480.9119 (u. 4)</li> </ul>
9	<ul style="list-style-type: none"> <li>GLACIER PEDAL FRENO 1215PD10 0/000.480.9117 (u. 1)</li> </ul>
10	<ul style="list-style-type: none"> <li>TAPON VACIADO ACEITE HEXAGONAL 0/000.410.9104 (u. 1)</li> </ul>
11	<ul style="list-style-type: none"> <li>GLACIER PEDAL DAP 1212PD 0/000.480.9105 (u. 1)</li> </ul>
12	<ul style="list-style-type: none"> <li>TAPON LLENDO ACEITE HEXAGONAL-COLOR TITANIO 0/000.410.9103 (u. 1)</li> </ul>
13	<ul style="list-style-type: none"> <li>JUNTA TAPA DISCOS 2014 0/000.490.9104 (u. 1)</li> </ul>
14	<ul style="list-style-type: none"> <li>TAPA DISCOS EMBRAGUE GRIS 0/000.350.9105 (u. 1)</li> </ul>

15	<ul style="list-style-type: none"> <li>VISOR NIVEL ACEITE EC400-4T 0/000.410.9106 (u. 1)</li> </ul>
	<ul style="list-style-type: none"> <li>RETEN PEDAL ARRAN.20X30X7 0/000.890.9105 (u. 1)</li> </ul>
	<ul style="list-style-type: none"> <li>TAPA EMBRAGUE GRIS RAL (9006) 0/000.350.9107 (u. 1)</li> </ul>
	<ul style="list-style-type: none"> <li>CASQUILLO ROSCADO TAPON CENTRIFUGO 0/000.980.9131 (u. 1)</li> </ul>
16	<ul style="list-style-type: none"> <li>KIT JUNTAS MOTOR ENDURO 2018 ME94610CT-CLJ-1 (u. 1)</li> </ul>
17	<ul style="list-style-type: none"> <li>VISOR NIVEL ACEITE EC400-4T 0/000.410.9106 (u. 1)</li> </ul>
18	<ul style="list-style-type: none"> <li>JUNTA TAPA BOMBA AGUA 2014 0/000.490.9115 (u. 1)</li> </ul>
19	<ul style="list-style-type: none"> <li>TAPA BOMBA AGUA 0/000.220.9124 (u. 1)</li> </ul>
20	<ul style="list-style-type: none"> <li>TORN.ESP. DIN 6921 Hex.8 M6x75 Fil.20 Cal.10.9 GEO 0/000.460.9129 (u. 6)</li> </ul>
21	<ul style="list-style-type: none"> <li>TORN.ESP. DIN 6921 Hex.8 M6x25 Cal.10.9 GEOMET 0/000.460.9121 (u. 11)</li> </ul>
22	<ul style="list-style-type: none"> <li>TORN.ESP. DIN 6921 Hex.8 M6x10 Cal.10.9 GEOMET 0/000.460.9133 (u. 1)</li> </ul>
23	<ul style="list-style-type: none"> <li>ARANDELA COBRE 6X10X1.5 TORN.VAC.AGUA CI 0/000.440.9122 (u. 1)</li> </ul>
24	<ul style="list-style-type: none"> <li>TORN.ESP. DIN 6921 Hex.8 M6x35 Cal.10.9 GEOMET 0/000.460.9124 (u. 1)</li> </ul>
25	<ul style="list-style-type: none"> <li>TORN.ESP. DIN 6921 Hex.8 M6x60 Cal.10.9 GEOMET 0/000.460.9128 (u. 8)</li> </ul>
27	<ul style="list-style-type: none"> <li>ARANDELA COBRE 8X12X1,5 DIN 125 A ISO 7089 0/000.440.9128 (u. 1)</li> </ul>
28	<ul style="list-style-type: none"> <li>ARANDELA TIPO BUJIA 12X18X2 0/000.440.9114 (u. 2)</li> </ul>
29	<ul style="list-style-type: none"> <li>Tórica 20 x 1.5 NBR 70 0/000.490.9116 (u. 1)</li> </ul>
30	<ul style="list-style-type: none"> <li>TAPON REGLAJE CENTRIFUGO 0/000.410.9105 (u. 1)</li> </ul>
31	<ul style="list-style-type: none"> <li>CTO.CARTERS ENDURO 300 2018 ME10000CT-CLJ-1 (u. 1) - 250cc / 300cc</li> </ul>
32	<ul style="list-style-type: none"> <li>CASQ.CENTRADOR CARTER 6X9X14 =ME25610018 0/000.480.9119 (u. 2)</li> </ul>

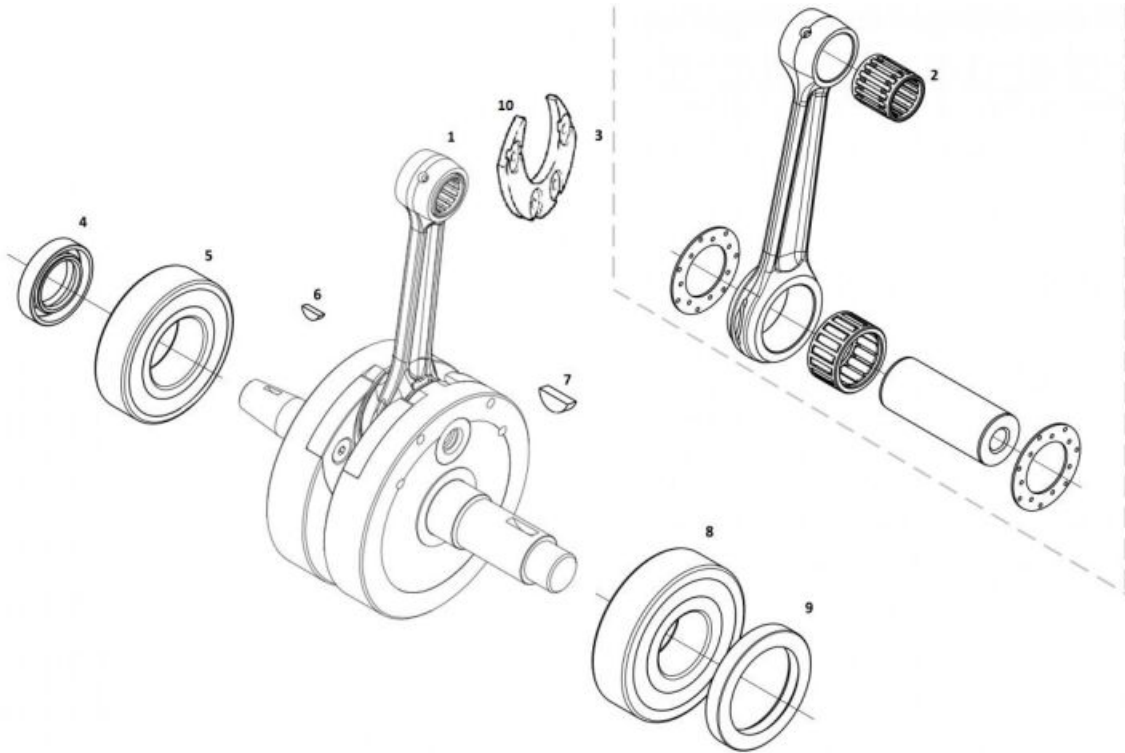
**GENERADOR - ARRANQUE ELECTRICO**



<b>1B</b>	<ul style="list-style-type: none"> <li>KIT ARRANQUE ELECTRICO MR 2022</li> <li>0/005.480.9102 (u. 1) - CON MOTOR DE ARRANQUE</li> </ul>
<b>1A</b>	<ul style="list-style-type: none"> <li>KIT TAPA ARRANQUE + BENDIX MEJORADO</li> <li>0/005.480.9103 (u. 1) - SIN MOTOR DE ARRANQUE</li> </ul>
<b>1C</b>	<ul style="list-style-type: none"> <li>KIT ARRANQUE ELECTRICO MR 2022 + DESVAPORIZADOR</li> <li>0/K05.480.9102 (u. 1) - CON MOTOR DE ARRANQUE</li> </ul>
<b>2</b>	<ul style="list-style-type: none"> <li>ALLEN 5X25 DIN 912 DRACOMET 8.8</li> <li>0/000.460.9146 (u. 5)</li> </ul>
<b>3</b>	<ul style="list-style-type: none"> <li>KIT VOLANTE MAGNETICO MR 2022</li> <li>0/005.820.9104 (u. 1)</li> </ul>
<b>4</b>	<ul style="list-style-type: none"> <li>CORONA ARRANQUE ELECTRICO EC 2015</li> <li>0/005.400.9102 (u. 1)</li> </ul>
<b>5</b>	<ul style="list-style-type: none"> <li>TORX CABEZA ABOM.ARANDELA 5X8 ISO 7380-2 10.9</li> <li>0/000.460.9154 (u. 3)</li> </ul>
<b>6</b>	<ul style="list-style-type: none"> <li>TORN.ESP. DIN 6921 Hex.17 M8x25x125 Cal.10.9 GEO</li> <li>0/000.460.9112 (u. 1)</li> </ul>
<b>8</b>	<ul style="list-style-type: none"> <li>TORN.ESP. DIN 6921 Hex.8 M6x40 Fil.20 Cal.10.9 GEO</li> <li>0/000.460.9125 (u. 1)</li> </ul>
<b>9</b>	<ul style="list-style-type: none"> <li>TORN.ESP.+ARAND.5x15 DIN 6921 GEOMET 10.9</li> <li>0/000.460.9115 (u. 3)</li> </ul>
<b>11</b>	<ul style="list-style-type: none"> <li>ALLEN 5X10 DIN 912 ZINC 12.9</li> <li>0/000.460.9145 (u. 2)</li> </ul>
<b>13</b>	<ul style="list-style-type: none"> <li>TAPA BENDIX EC 2015</li> <li>EE80130GG-CBR-2 (u. 1)</li> </ul>
<b>14</b>	<ul style="list-style-type: none"> <li>MOTOR ARRAN.ELEC.EC 2015 PHI50mm</li> <li>0/005.480.9100 (u. 1)</li> </ul>
<b>15</b>	<ul style="list-style-type: none"> <li>JUNTA TAPA BENDIX EC 2015 FOAMET 0,6</li> <li>EE80135GG-CBR-1 (u. 1)</li> </ul>
<b>19</b>	<ul style="list-style-type: none"> <li>SOPORTE MOTOR ARRANQUE ELECTRICO EC 2015</li> <li>0/000.980.9111 (u. 1)</li> </ul>
<b>24</b>	<ul style="list-style-type: none"> <li>AGUJA DIN5402-3 TIPO BF DIAM-3X9.8 PLANA</li> <li>EE80140GG-CBR-1 (u. 2)</li> </ul>
<b>25</b>	<ul style="list-style-type: none"> <li>TORN.ESP. DIN 6921 Hex.8 M6x25 Cal.10.9 GEOMET</li> <li>0/000.460.9121 (u. 3)</li> </ul>

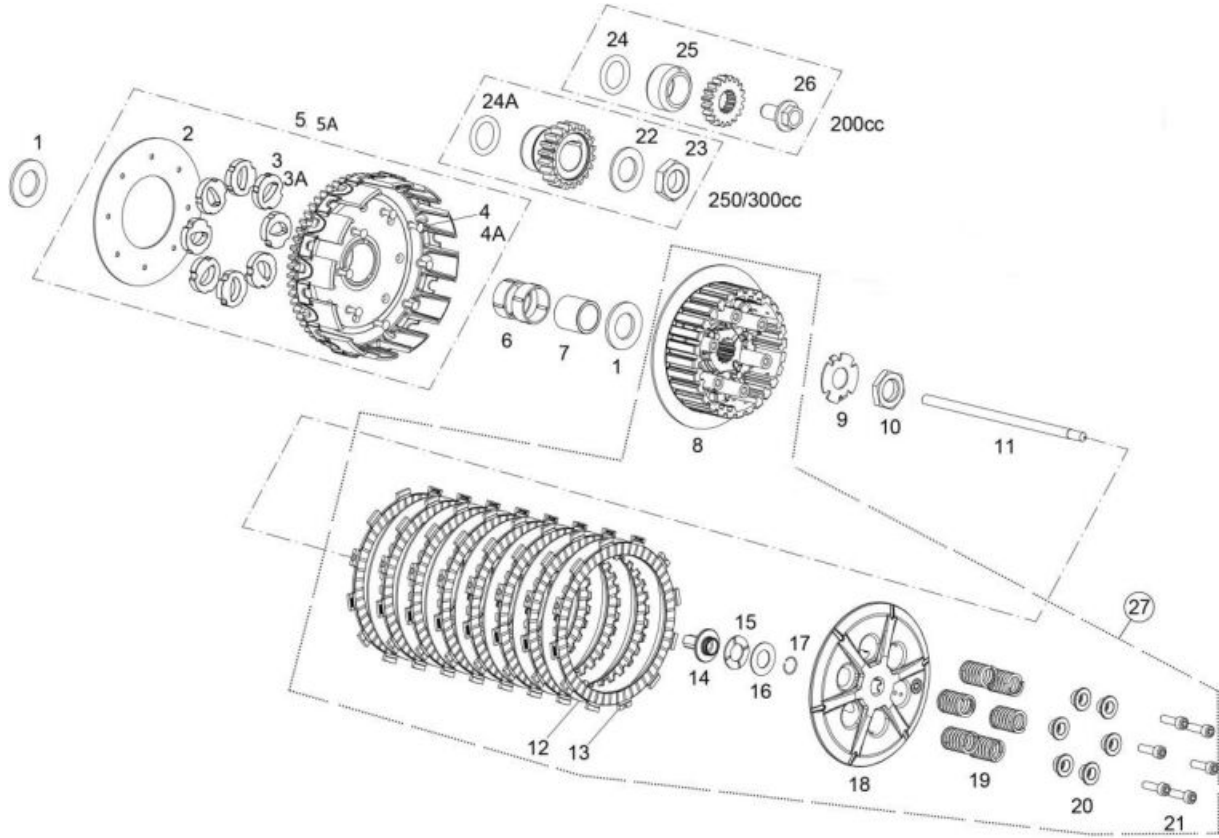
27	<ul style="list-style-type: none"> <li>ADAPTADOR PULSADOR HIDRIA EC 2014 V2 0/000.980.9109 (u. 1)</li> </ul>
28	<ul style="list-style-type: none"> <li>JUNTA TAPA VOLANTE 0/000.490.9119 (u. 1)</li> </ul>
29	<ul style="list-style-type: none"> <li>TUERCA+ARAN.M-6 ESTR. DIN 6923 ZINC 8 0/000.340.9116 (u. 1)</li> </ul>
30	<ul style="list-style-type: none"> <li>ARANDELA PLANA 6X12X1.5 DIN 125 ZINC 0/000.440.9124 (u. 1)</li> </ul>
31	<ul style="list-style-type: none"> <li>TAPA ARRANQUE ELECTRICO ENDURO 2018 0/000.220.9119 (u. 1)</li> </ul>
32	<ul style="list-style-type: none"> <li>ALLEN 6x45 DIN 912 ZINC 12.9 0/000.460.9149 (u. 1)</li> </ul>
33	<ul style="list-style-type: none"> <li>ALLEN 6x40 DIN 912 ZINC 12.9 0/000.460.9148 (u. 1)</li> </ul>
34	<ul style="list-style-type: none"> <li>TORN.ESP. DIN 6921 Hex.8 M6x50 Fil.20 Cal.10.9 GEO 0/000.460.9126 (u. 1)</li> </ul>
35	<ul style="list-style-type: none"> <li>ESCOBILLAS MOTOR ARRANQUE EC EE80010GG-CBR-1 (u. 1)</li> </ul>
37	<ul style="list-style-type: none"> <li>ARANDELA FIBRA 6x10x1,5 0/000.440.9123 (u. 1)</li> </ul>
38	<ul style="list-style-type: none"> <li>DESVAP.CARTER D.3=ME25610012 0/000.630.9105 (u. 1)</li> </ul>
39	<ul style="list-style-type: none"> <li>TUBO COPOLAN-NBR-NVC Ø5 x Ø9 x 450 0/000.290.9126 (u. 1)</li> </ul>

## CIGÜEÑAL



1	<ul style="list-style-type: none"> <li>CTO.CIGUEÑAL ENDURO 2018 0/005.380.9100 (u. 1)</li> </ul>
	<ul style="list-style-type: none"> <li>CIGUEÑAL EC200-2014 0/005.380.9102 (u. 1) - MOTOR 200cc</li> </ul>
2	<ul style="list-style-type: none"> <li>ROD.RV.18X22X21,8 S PIE DE BIELA ME25616035 (u. 1)</li> </ul>
3	<ul style="list-style-type: none"> <li>CTO.BIELA ENDURO ME25612100 (u. 1)</li> </ul>
4	<ul style="list-style-type: none"> <li>RETEN LADO IZ.CIG.TCJ 20x35x6/6.5 0/000.890.9103 (u. 1)</li> </ul>
5	<ul style="list-style-type: none"> <li>COJINETE CIGUEÑAL IZQUIERDO 6206- TN9/C4 (ABIERTO) 0/000.960.9115 (u. 1)</li> </ul>
6	<ul style="list-style-type: none"> <li>CHAVETA 3x3.7 D.10 DIN 6888 0/005.490.9102 (u. 1)</li> </ul>
7	<ul style="list-style-type: none"> <li>CHAVETA DIN 6888 16 x 5 x 6,5 0/005.490.9100 (u. 1)</li> </ul>
8	<ul style="list-style-type: none"> <li>COJINETE CIGUEÑAL DERECHO 63/28-HN3/C3 GXN (ABIERTO) 0/000.960.9116 (u. 1)</li> </ul>
9	<ul style="list-style-type: none"> <li>RETEN DCH.O.CIGUEÑAL TB2J 38-52 7 0/000.890.9102 (u. 1)</li> </ul>
10	<ul style="list-style-type: none"> <li>NYLON CONTRAPESO CIGUEÑAL 200 0/005.075.9100 (u. 1) - 200 cc</li> </ul>
	<ul style="list-style-type: none"> <li>NYLON CONTRAPESO CIGUEÑAL 250 -300 0/005.075.9101 (u. 1) - 250-300 cc</li> </ul>

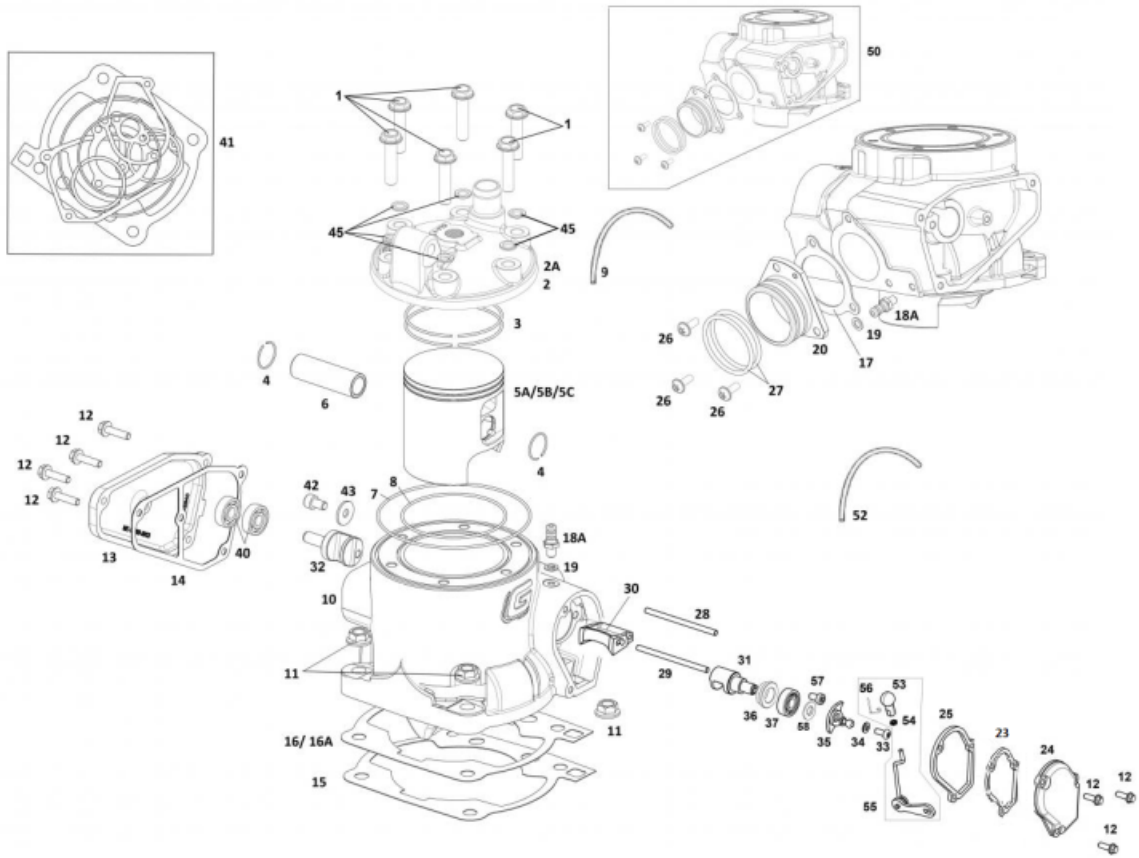
**EMBRAGUE**



1	<ul style="list-style-type: none"> <li>ARAN.CAMPANA EMBRAG.22.1X42X2.8 0/000.440.9106 (u. 2)</li> </ul>
2	<ul style="list-style-type: none"> <li>ARANDELA CORONA EMBR. ME20932009 (u. 1)</li> </ul>
3	<ul style="list-style-type: none"> <li>GOMA SILENBLOC C4015/115 EMBR.3376 ME20932008 (u. 8)</li> </ul>
4	<ul style="list-style-type: none"> <li>REMACHE CAMPANA EMBR. ME250132010 (u. 8)</li> </ul>
5	<ul style="list-style-type: none"> <li>CTO.CORONA EMBR.ENDURO 200 0/005.400.9103 (u. 1)</li> <li>CTO.CORONA-PIÑON EMBR.ENDURO 250-300 2014 0/005.400.9104 (u. 1)</li> </ul>
6	<ul style="list-style-type: none"> <li>COJI.CAMP.EMB.K28X33X13FV-M1 M3 0/000.980.9113 (u. 2)</li> </ul>
7	<ul style="list-style-type: none"> <li>CASQ.CAMPANA EMBR. 0/000.480.9121 (u. 1)</li> </ul>
8	<ul style="list-style-type: none"> <li>CUBO EMBRAGUE ENDURO 2018 ME22005GG-CLJ-1 (u. 1)</li> </ul>
9	<ul style="list-style-type: none"> <li>ARANDELA PRECINTO CORONA EMBRAGUE ENDURO 2018 0/000.440.9104 (u. 1)</li> </ul>
10	<ul style="list-style-type: none"> <li>TUERCA FIJ.CUBO EMB. 0/000.340.9107 (u. 1)</li> </ul>
11	<ul style="list-style-type: none"> <li>VARILLA EMBRAGUE MR 0/000.190.9105 (u. 1)</li> </ul>
12	<ul style="list-style-type: none"> <li>DISCOS EMBRAGUE HIERRO ME22105GG-CLJ-1 (u. 7)</li> </ul>
13	<ul style="list-style-type: none"> <li>DISCOS EMBRAGUE FORRADO ME22100GG-CLJ-1 (u. 8) - <i>MEJOR CALIDAD</i></li> <li>DISCOS EMB.FORRADO 7138 ME25632007 (u. 8)</li> </ul>

14	<ul style="list-style-type: none"> <li>CASQUILLO PREMSA EMBRAGUE 0/000.480.9120 (u. 1)</li> </ul>
15	<ul style="list-style-type: none"> <li>JAULA AGUJA AXK 1528 0/000.960.9109 (u. 1)</li> </ul>
16	<ul style="list-style-type: none"> <li>PLACA JAULA AGUJA AS 15 0/000.440.9107 (u. 1)</li> </ul>
17	<ul style="list-style-type: none"> <li>ANILLO DIN 7993 Ø14x1 0/000.300.9102 (u. 1)</li> </ul>
18	<ul style="list-style-type: none"> <li>PREMSA PLATO ENDURO 2018 ME23000GG-CLJ-1 (u. 1)</li> </ul>
19	<ul style="list-style-type: none"> <li>MUELLE EMBRAGUE EC-2018 ME22025GG-CLJ-1 (u. 6)</li> </ul>
20	<ul style="list-style-type: none"> <li>CASQ.MUELLE EMBR. EC-2018 ME22020GG-CLJ-1 (u. 6)</li> </ul>
21	<ul style="list-style-type: none"> <li>ALLEN 6X25 TA.EMB,CART,SUSP.12.9 T0306025 (u. 6)</li> </ul>
22	<ul style="list-style-type: none"> <li>ARANDELA DIN 125 PULIDA D-20 ZINC 40-42HRC 0/000.440.9108 (u. 1)</li> </ul>
23	<ul style="list-style-type: none"> <li>TUERCA BLOCAJE PIÑON CIGUEÑAL EC-2000 0/000.340.9106 (u. 1)</li> </ul>
24	<ul style="list-style-type: none"> <li>TORICA PIÑON PRIM.EMBR.(Ø23*5 NBR) 0/000.490.9106 (u. 1)</li> </ul>
25	<ul style="list-style-type: none"> <li>CASQ.CIGUEÑAL 25X38X20 0/000.480.9127 (u. 1)</li> </ul>
26	<ul style="list-style-type: none"> <li>TORN.ESP.12X25X1.25 FIL.20 12.9 GEOMET 0/000.460.9114 (u. 1)</li> </ul>
27	<ul style="list-style-type: none"> <li>CTO.CUBO EMBR.ENDURO 2018 0/005.350.9100 (u. 1)</li> </ul>

**CILINDRO**



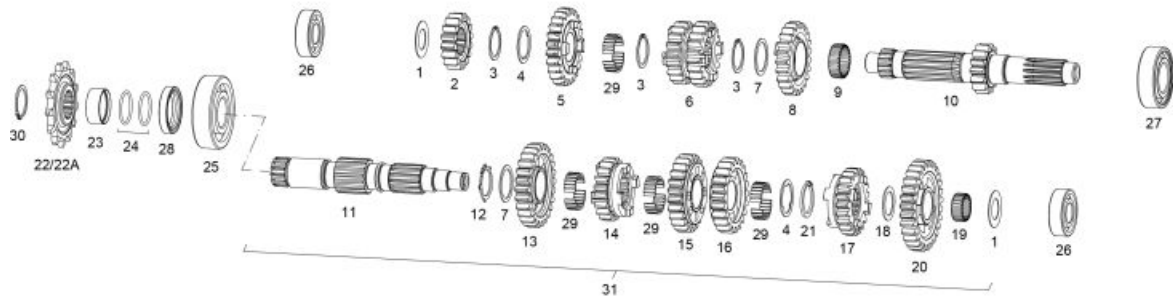
1	<ul style="list-style-type: none"> <li>TORN.ESP. DIN 6921 Hex.10 M8x35 Fil.25 Cal.10.9 GE 0/000.460.9130 (u. 6)</li> </ul>
	<ul style="list-style-type: none"> <li>CULATA EC/XC 300 0/005.770.9100 (u. 1)</li> </ul>
2	<ul style="list-style-type: none"> <li>CULATA ENDURO 250 2018 0/005.770.9101 (u. 1)</li> <li>CULATA ENDURO 200 MY2018 0/005.770.9102 (u. 1)</li> </ul>
3	<ul style="list-style-type: none"> <li>JUEGO AROS PISTON TT 250 ME25616040 (u. 1) - 250cc</li> <li>JUEGO AROS PISTON TT-300 2835CD ME30916040 (u. 1) - 300cc</li> </ul>
4	<ul style="list-style-type: none"> <li>JUEGO CLIP BULON TT 250 ME25616126 (u. 2)</li> </ul>
5C	<ul style="list-style-type: none"> <li>PISTON 66.36 250 ENDURO C ME25616122R (u. 1) - 250cc</li> <li>PISTON 300CC C ME30916122R (u. 1) - 300cc</li> </ul>
5B	<ul style="list-style-type: none"> <li>PISTON 250 ENDURO B ME25616121R (u. 1) - 250cc</li> <li>PISTON TT 300 71.95 B ME300416121 (u. 1) - 300cc</li> </ul>
5A	<ul style="list-style-type: none"> <li>PISTON TT 250 A ME25616020R (u. 1) - 250cc</li> <li>PISTON TT 300 EC-2004 ME300416020 (u. 1) - 300cc</li> </ul>
6	<ul style="list-style-type: none"> <li>BULON PISTON TT 250 ME25616125 (u. 1)</li> </ul>



7	<ul style="list-style-type: none"> <li>TORICA CULATA EXT.107.67x1.78 0/000.490.9109 (u. 1)</li> </ul>
8	<ul style="list-style-type: none"> <li>TORICA CULATA INT.VITON 72.7x1.78 0/000.490.9110 (u. 1)</li> </ul>
	<ul style="list-style-type: none"> <li>TORICA CULATA INTER.75.92X1.78 VITON 0/000.490.9111 (u. 1)</li> </ul>
9	<ul style="list-style-type: none"> <li>TUBO DESV.CARTER (55 cm.) ME25610022 (u. 1)</li> </ul>
9A	<ul style="list-style-type: none"> <li>CTO.TUBO DESVAPORIZADOR BLOW BY ENDURO 2018 0/000.290.9106 (u. 1)</li> </ul>
11	<ul style="list-style-type: none"> <li>TUERCA DIN 6923 ZINC 8.8 ESP.10/150 C13 0/000.340.9105 (u. 4)</li> </ul>
12	<ul style="list-style-type: none"> <li>TORN.ESP.12X25X1.25 FIL.20 12.9 GEOMET 0/000.460.9114 (u. 1)</li> </ul>
	<ul style="list-style-type: none"> <li>TORN.ESP.+ARAND.5x15 DIN 6921 GEOMET 10.9 0/000.460.9115 (u. 7)</li> </ul>
13	<ul style="list-style-type: none"> <li>TAPA VALV.IZQ.EC 2013 0/000.350.9104 (u. 1)</li> </ul>
14	<ul style="list-style-type: none"> <li>JUNTA TAPA VAL.IZDA.EC 2013 0/000.490.9113 (u. 1)</li> </ul>
15	<ul style="list-style-type: none"> <li>JUNTA CIL.0.15 ME25644010 (u. 1)</li> </ul>
16A	<ul style="list-style-type: none"> <li>JUNTA CIL.0.3 ME25644009 (u. 1)</li> </ul>
16	<ul style="list-style-type: none"> <li>JUNTA CILINDRO 0,5 METALICA CON SILICONA ENDURO 2018 0/000.490.9112 (u. 1)</li> </ul>
17	<ul style="list-style-type: none"> <li>JUNTA ESCAPE ME25644012 (u. 1)</li> </ul>
18A	<ul style="list-style-type: none"> <li>DESVAP.CARTER D.3=ME25610012 0/000.630.9105 (u. 2)</li> </ul>
19	<ul style="list-style-type: none"> <li>ARANDELA FIBRA 6x10x1,5 0/000.440.9123 (u. 2)</li> </ul>
20	<ul style="list-style-type: none"> <li>TUBERA ESCAPE 2005 ME250516019 (u. 1)</li> </ul>
23	<ul style="list-style-type: none"> <li>JUNTA TAPA VALVULA RH MR 0/000.490.9124 (u. 2)</li> </ul>
24	<ul style="list-style-type: none"> <li>TAPA VALV.DCH.EC300 2014 0/000.350.9108 (u. 1)</li> </ul>
25	<ul style="list-style-type: none"> <li>SEPARADOR TAPA VALVULA RH MR 0/000.480.9133 (u. 1)</li> </ul>
26	<ul style="list-style-type: none"> <li>ULS TORX 6X14 DIN 7380-1 ZINCADO 10.9 T0566014 (u. 3)</li> </ul>
27	<ul style="list-style-type: none"> <li>TORICA TUBERA ESCAPE 44X3 FP (viton) BE250526006 (u. 2)</li> </ul>
28	<ul style="list-style-type: none"> <li>EJE VALV.ESCAP LARGO 93mm. ME25616027 (u. 1)</li> </ul>
29	<ul style="list-style-type: none"> <li>EJE VALV.ESCAPE CORTO 83mm. ME25616017 (u. 1)</li> </ul>
30	<ul style="list-style-type: none"> <li>VALVULA CENTRAL ENDURO 250 2018 ME72005GG-CLK-1 (u. 1)</li> </ul>
31	<ul style="list-style-type: none"> <li>VALVULA DERECHA ENDURO 250 2018 ME72000GG-CLK-1 (u. 1)</li> </ul>
32	<ul style="list-style-type: none"> <li>VALVULA IZQUIERDA ENDURO 250 2018 ME72010GG-CLK-1 (u. 1)</li> </ul>
33	<ul style="list-style-type: none"> <li>TORNILLO ISO 7380 Allen M5x10 Cal.10.9 Z/BLANCO 0/000.460.2000 (u. 1)</li> </ul>

34	<ul style="list-style-type: none"> <li>● ARANDELA 5X12X1.5 DIN 125A ZINC 0/000.440.9121 (u. 1)</li> </ul>
35	<ul style="list-style-type: none"> <li>● CTO.PALANCA VALV.ESCAPE EC 2015 0/000.640.9103 (u. 1)</li> </ul>
36	<ul style="list-style-type: none"> <li>● DIST.COJINETE VALV.ESCAPE ME25616036 (u. 1)</li> </ul>
37	<ul style="list-style-type: none"> <li>● RODAM.BOMBA AGUA 6000C3Z =M03313001 0/000.960.9107 (u. 1)</li> </ul>
40	<ul style="list-style-type: none"> <li>● RODA.EJE CENTRI.Y BOMBA 608.Z.C3 0/000.960.9108 (u. 2)</li> </ul>
41	<ul style="list-style-type: none"> <li>● KIT JUNTAS DE CIL.CULATA 300C.C. ME94620CT-CAB-1 (u. 1) - 300cc</li> </ul>
	<ul style="list-style-type: none"> <li>● KIT JUNTAS DE CIL.CULATA 250C.C ME94620CT-BZX-1 (u. 1)</li> </ul>
43	<ul style="list-style-type: none"> <li>● ARANDELA 6X18X1.5 DIN 9021 ZINC 0/000.440.9126 (u. 1)</li> </ul>
44	<ul style="list-style-type: none"> <li>● ARANDELA PLANA 6X12X1.5 DIN 125 ZINC 0/000.440.9124 (u. 1)</li> </ul>
45	<ul style="list-style-type: none"> <li>● ARANDELA COBRE 8.5x16x1.5 DIN 125 A ISO 7090 0/000.440.9130 (u. 6)</li> </ul>
50	<ul style="list-style-type: none"> <li>● KIT CILINDRO COMPLETO ENDURO 200 2019 0/R05.190.9102 (u. 1)</li> </ul>
	<ul style="list-style-type: none"> <li>● KIT CILINDRO COMPLETO ENDURO 300 2018 0/R05.190.9100 (u. 1)</li> </ul>
	<ul style="list-style-type: none"> <li>● KIT CILINDRO COMPLETO ENDURO 250 2018 0/R05.190.9101 (u. 1)</li> </ul>
51	<ul style="list-style-type: none"> <li>● ARANDELA COBRE 6X10X1.5 TORN.VAC.AGUA CI 0/000.440.9122 (u. 2)</li> </ul>
52	<ul style="list-style-type: none"> <li>● TUBO RESPIRADERO VALV.S EC-2009 BE733001209 (u. 1)</li> </ul>
52a	<ul style="list-style-type: none"> <li>● CTO.TUBO DESVAPORIZADOR BLOW BY ENDURO 2018 0/000.290.9106 (u. 1)</li> </ul>
53	<ul style="list-style-type: none"> <li>● CTO.VARILLA VALV.ESCAPE COMPLETO EC 2015 0/000.640.9104 (u. 1)</li> </ul>
55	<ul style="list-style-type: none"> <li>● CTO.VARILLA VALV.ESCAPE COMPLETO EC 2015 0/000.640.9104 (u. 1)</li> </ul>
56	<ul style="list-style-type: none"> <li>● CLIP DE SEGURIDAD ROTULA 0/000.840.9103 (u. 1)</li> </ul>
58	<ul style="list-style-type: none"> <li>● CASQUILLO SEPARADOR COJINETE VALV.ESCAPE 0/000.480.9124 (u. 1)</li> </ul>

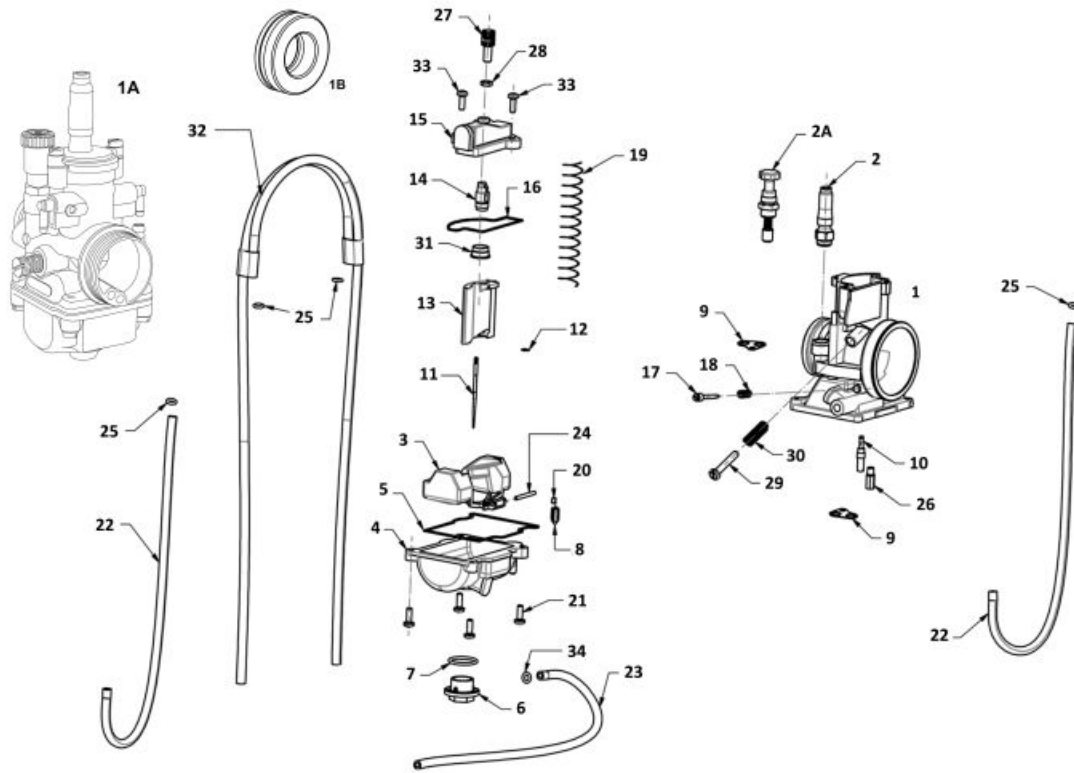
**CAMBIO**



1	<ul style="list-style-type: none"> <li>ARANDELA 18X31,5X0,7 CAMBIO ME25636014 (u. 2)</li> </ul>
2	<ul style="list-style-type: none"> <li>PIÑÓN PRIMARIO II Z-16 ME25636071 (u. 1)</li> </ul>
3	<ul style="list-style-type: none"> <li>ANILLO SEGGER DIN 471 DE 25 0/000.300.9107 (u. 3)</li> </ul>
4	<ul style="list-style-type: none"> <li>ARANDELA 31,5X(25X22)X1 SEC.3-4 ESTR.CAM ME25636091 (u. 2)</li> </ul>
5	<ul style="list-style-type: none"> <li>PIÑÓN PRIMARIO VI Z-24 ME25636074 (u. 1)</li> </ul>
6	<ul style="list-style-type: none"> <li>PIÑÓN PRIMARIO III Y IV ME25636072 (u. 1)</li> </ul>
7	<ul style="list-style-type: none"> <li>ARANDELA 25,2X31,5X1 CAMBIO ME25636017 (u. 2)</li> </ul>
8	<ul style="list-style-type: none"> <li>PIÑÓN PRIMARIO V Z-23 ME25636073 (u. 1)</li> </ul>
9	<ul style="list-style-type: none"> <li>COJINETE AGUJAS K25-29-10 0/000.960.9104 (u. 1)</li> </ul>
10	<ul style="list-style-type: none"> <li>EJE PRIMARIO EC 250-2002 ME250236070 (u. 1)</li> </ul>
11	<ul style="list-style-type: none"> <li>EJE SECUNDARIO EC 08 ME410002508 (u. 1)</li> </ul>
12	<ul style="list-style-type: none"> <li>CIRCLIP D.25 DIN 983 =25049255 ME25636095 (u. 1)</li> </ul>
13	<ul style="list-style-type: none"> <li>PIÑÓN SECUNDARIO II Z-26 ME42211GG-CSK-1 (u. 1)</li> </ul>
14	<ul style="list-style-type: none"> <li>PIÑÓN SECUNDARIO VI Z-19 ME42215GG-CSK-1 (u. 1)</li> </ul>
15	<ul style="list-style-type: none"> <li>PIÑÓN SECUNDARIO III Z-24 ME42212GG-CSK-1 (u. 1)</li> </ul>
16	<ul style="list-style-type: none"> <li>PIÑÓN SECUNDARIO IV Z-22 ME42213GG-CSK-1 (u. 1)</li> </ul>
17	<ul style="list-style-type: none"> <li>PIÑÓN SECUNDARIO V Z-21 ME42214GG-CSK-1 (u. 1)</li> </ul>
18	<ul style="list-style-type: none"> <li>ARANDELA 20,8X29X1 CAMBIO ME25636016 (u. 1)</li> </ul>
19	<ul style="list-style-type: none"> <li>RODA.AGUJ.K20X24X10 0/000.960.9114 (u. 1)</li> </ul>

20	<ul style="list-style-type: none"> <li>PIÑÓN SECUNDARIO I Z-29 ME42210GG-CSK-1 (u. 1)</li> </ul>
21	<ul style="list-style-type: none"> <li>CIRCLIP D.25 DIN 471 REBAIXAD D.2 SE03025200009 (u. 1)</li> </ul>
22	<ul style="list-style-type: none"> <li>PIÑÓN SALIDA TG421X13T 0/005.400.9112 (u. 1)</li> </ul>
22A	<ul style="list-style-type: none"> <li>PIÑÓN SALIDA TG421X12T 0/005.400.9113 (u. 1)</li> </ul>
23	<ul style="list-style-type: none"> <li>DOLLA RETEN SALIDA CAMBIO 0/000.260.9100 (u. 1)</li> </ul>
24	<ul style="list-style-type: none"> <li>TORICA 25x2 NBR 0/000.490.9107 (u. 2)</li> </ul>
25	<ul style="list-style-type: none"> <li>RODAM.CAMBIO 6305 C3 0/000.960.9113 (u. 1)</li> </ul>
26	<ul style="list-style-type: none"> <li>RODAM.CAMBIO 6203C3 0/000.960.9112 (u. 2)</li> </ul>
27	<ul style="list-style-type: none"> <li>RODAM.CAMBIO 6205-2RSH/C3 0/000.960.9106 (u. 1)</li> </ul>
28	<ul style="list-style-type: none"> <li>RETEN TC 30x40x7 DOBLE LABIO.PIÑ.SAL. 0/000.890.9106 (u. 1)</li> </ul>
29	<ul style="list-style-type: none"> <li>JAULA AGUJAS KD22x25x9.8 GRUPO CAMBIO 0/005.150.9101 (u. 4)</li> </ul>
30	<ul style="list-style-type: none"> <li>ANILLO SEGGER DIN 471 DE 25 0/000.300.9107 (u. 1)</li> </ul>
31	<ul style="list-style-type: none"> <li>CTO. CAMBIO MARCHAS 0/005.400.9107 (u. 1)</li> </ul>

**CARBURADOR**

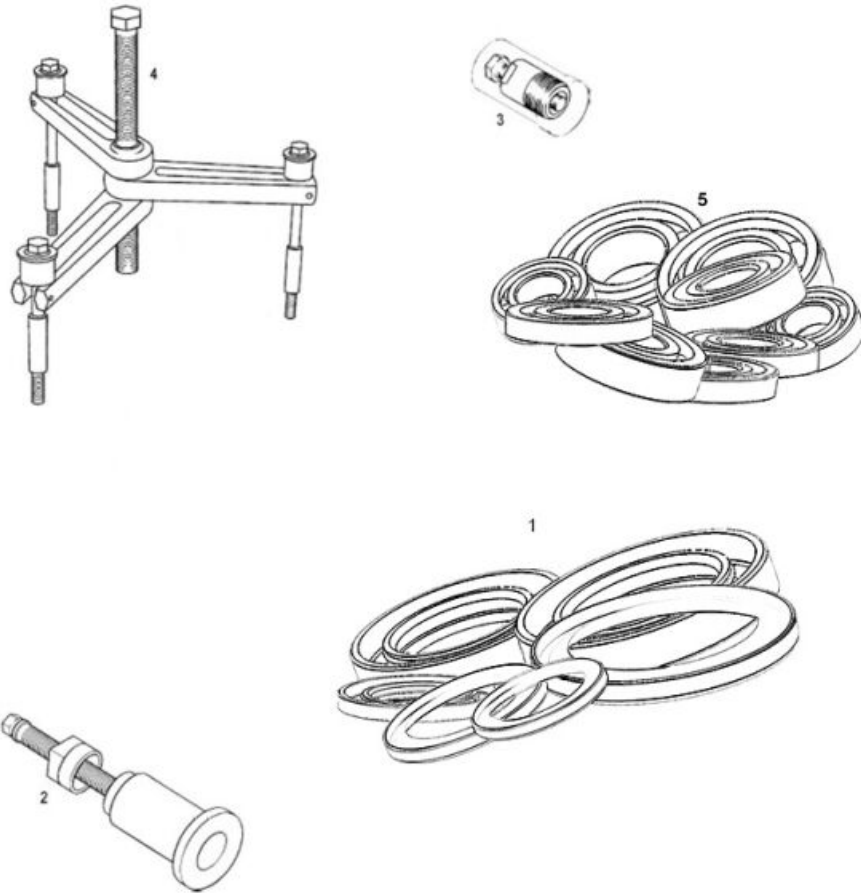


1	<ul style="list-style-type: none"> <li>CARBURADOR KEIHIN PWK 38 MANDO STARTER 10FK-A73Z-0000 0/005.155.9100 (u. 1)</li> </ul>
1A	<ul style="list-style-type: none"> <li>CARBURADOR PHBG 21 DS ENDURO 73/33 CAMPANA 40 0/005.155.9103 (u. 1)</li> </ul>
1B	<ul style="list-style-type: none"> <li>ADAPTADOR CARBURADOR DELL ORTO ENDURO 2018 0/005.150.9102 (u. 1)</li> </ul>
2A	<ul style="list-style-type: none"> <li>MANDO ESTARTER 1166-818-2101 ME25690011 (u. 1)</li> </ul>
2	<ul style="list-style-type: none"> <li>PERILLA AHOGADOR ME25000173012 (u. 1)</li> </ul>
3	<ul style="list-style-type: none"> <li>BOYA FLOTADOR 1052-856-2101 ME25000183012 (u. 1)</li> </ul>
4	<ul style="list-style-type: none"> <li>CUBETA FLOTADOR 1050-898-2102 ME25000193012 (u. 1)</li> </ul>
5	<ul style="list-style-type: none"> <li>JUNTA CUBETA FLOTADOR 1051-KZ40-0001 ME25000203012 (u. 1)</li> </ul>
6	<ul style="list-style-type: none"> <li>TAP.CUBETA 1018-ND4-7511 ME25690015 (u. 1)</li> </ul>
8	<ul style="list-style-type: none"> <li>AGUJA FLOTADOR 1062-814-2103 ME25000213012 (u. 1)</li> </ul>
10	<ul style="list-style-type: none"> <li>CHICLE RALENTI Ø40 (PLN3721040) 0/005.991.9107 (u. 1)</li> </ul>
10A	<ul style="list-style-type: none"> <li>CHICLE RALENTI 45 0/005.991.9103 (u. 1)</li> </ul>
10B	<ul style="list-style-type: none"> <li>CHICLE RALENTI 42 N424-21042 0/005.991.9105 (u. 1)</li> </ul>
11C	<ul style="list-style-type: none"> <li>AGUJA NOZH N427-OZH00 ME120690435 (u. 1)</li> </ul>
11B	<ul style="list-style-type: none"> <li>AGUJA KEIHIN N1EG (N427-1EG00) ME250290428 (u. 1)</li> </ul>

11	<ul style="list-style-type: none"> <li>AGUJA KEIHIN N1EF 0/005.150.9100 (u. 1)</li> </ul>
11A	<ul style="list-style-type: none"> <li>AGUJA KEIHIN N1EE (N427-1EE00) ME250290427 (u. 1)</li> </ul>
12	<ul style="list-style-type: none"> <li>CLIP AGUJA 16115-169-0040 ME25690021 (u. 1)</li> </ul>
13	<ul style="list-style-type: none"> <li>COMPUERTA N°6 KEIHIN 0/005.150.9105 (u. 1) - 200cc</li> </ul>
	<ul style="list-style-type: none"> <li>COMPUERTA N°7 N502-66F00 0/005.150.9103 (u. 1)</li> </ul>
14	<ul style="list-style-type: none"> <li>FIJADOR AGUJA-CABLE 1101-804-2001 ME25690023 (u. 1)</li> </ul>
15	<ul style="list-style-type: none"> <li>TAP.COMPUERTA 1030-A92A-0000 ME25000243012 (u. 1)</li> </ul>
16	<ul style="list-style-type: none"> <li>JUNTA TORICA TAP.COMPUERTA 1202-882-6000 ME25000253012 (u. 1)</li> </ul>
17	<ul style="list-style-type: none"> <li>TORN.REGUL. ME25000263012 (u. 1)</li> </ul>
18	<ul style="list-style-type: none"> <li>MUELLE TORN.REGUL.AIRE 1300-416H-9900 ME25000273012 (u. 1)</li> </ul>
19	<ul style="list-style-type: none"> <li>MUELLE COMPUERTA 1290-A53-2000 ME25000283012 (u. 1)</li> </ul>
20	<ul style="list-style-type: none"> <li>CLIP NIVEL FLOTADOR 0405-019-1000 ME25690027 (u. 1)</li> </ul>
21	<ul style="list-style-type: none"> <li>TORN.CUBETA 93500-04014-1H ME25000293012 (u. 4)</li> </ul>
22	<ul style="list-style-type: none"> <li>TUBO RESPIRADERO 0803-868-0000 ME25000303012 (u. 2)</li> </ul>
23	<ul style="list-style-type: none"> <li>TUBO RESPIRADERO-2 0803-869-0000 ME25000313012 (u. 1)</li> </ul>
24	<ul style="list-style-type: none"> <li>EJE FLOTADOR W9525-25250 ME25690033 (u. 1)</li> </ul>
25	<ul style="list-style-type: none"> <li>CLIP TUBO RESPIRADERO W9535-35000 ME25690034 (u. 4)</li> </ul>
26	<ul style="list-style-type: none"> <li>CHICLE ALTA Ø170 (KEA170) 0/005.991.9106 (u. 1)</li> </ul>
	<ul style="list-style-type: none"> <li>CHICLE ALTA 175 (99101-357-1750) 0/005.991.9104 (u. 1)</li> </ul>
27	<ul style="list-style-type: none"> <li>TENSOR CABLE W9581-59250 ME25000323012 (u. 1)</li> </ul>
28	<ul style="list-style-type: none"> <li>TUERCA TENSOR CABLE 1793-130H-9900 ME25000333012 (u. 1)</li> </ul>
29	<ul style="list-style-type: none"> <li>TORN.REGUL.RALENTI 1034-853-2000 ME25690038 (u. 1)</li> </ul>
30	<ul style="list-style-type: none"> <li>MUELLE TORN.REG.1290-963-2000 ME25690039 (u. 1)</li> </ul>
31	<ul style="list-style-type: none"> <li>CASQ.MUELLE COMP.1118-929-7000 ME25690040 (u. 1)</li> </ul>
32	<ul style="list-style-type: none"> <li>TUBO VENTILACIÒN 0803-862-0100 ME25000343012 (u. 1)</li> </ul>
33	<ul style="list-style-type: none"> <li>TORN.TAP.COMPUERTA ME25000353012 (u. 2)</li> </ul>
34	<ul style="list-style-type: none"> <li>CLIP TUBO RESPIRADERO-2 W9535-25000 ME25000363012 (u. 1)</li> </ul>
35	<ul style="list-style-type: none"> <li>CTO.TOPE MANDO DE GAS CARBURADOR 2006 ME250690010 (u. 1)</li> </ul>

OBSOLETA

**HERRAMIENTAS MOTOR**



1	<ul style="list-style-type: none"> <li>● KIT RETENES EC-250/300 2010 ME906002510 (u. 1)</li> </ul>	
2	<ul style="list-style-type: none"> <li>● EXTRACTOR COJINETE CIGUEÑAL ME25950000 (u. 1)</li> </ul>	<b>OBSOLETA</b>
3	<ul style="list-style-type: none"> <li>● EXTRACTOR VOL.MAG.N.TRIAL 2002 MT280234045 (u. 1)</li> </ul>	
4	<ul style="list-style-type: none"> <li>● EXTRACTOR CARTER ME25950005 (u. 1)</li> </ul>	<b>OBSOLETA</b>
5	<ul style="list-style-type: none"> <li>● KIT COJINETES MOTOR EC 250 300 2018 ME90500CT-CLJ-1 (u. 1)</li> </ul>	