



MC-E 3

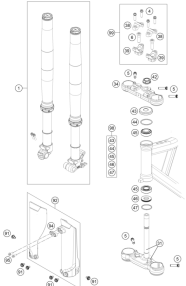
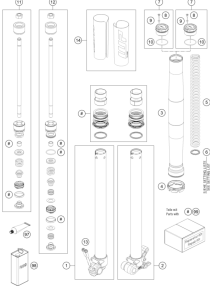
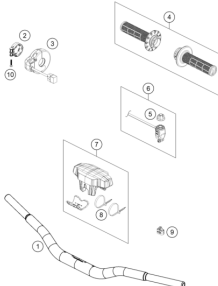
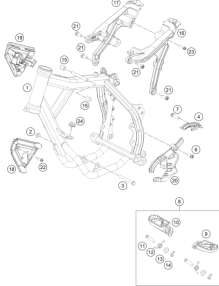
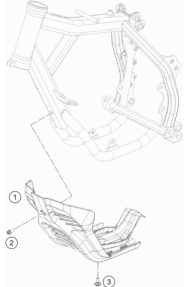
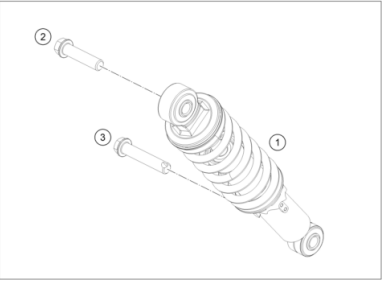
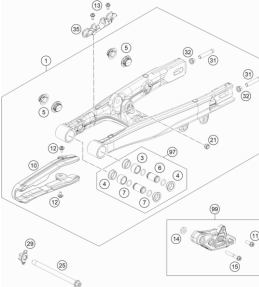
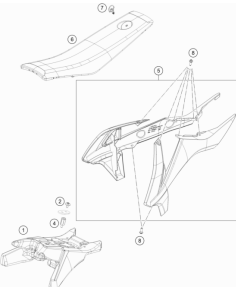
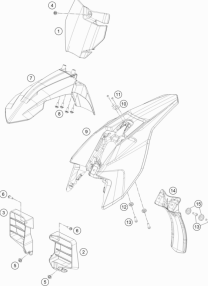
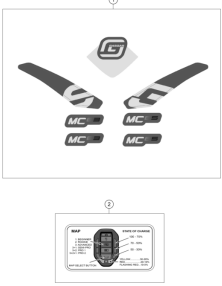
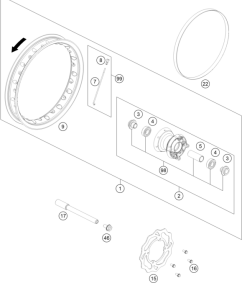
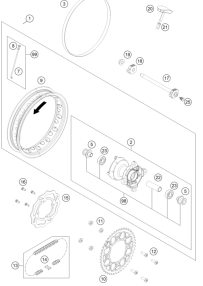
CHASSIS / ART.-NR.F3001X2 / **2024**
SPAREPARTSCATALOG

GASGAS

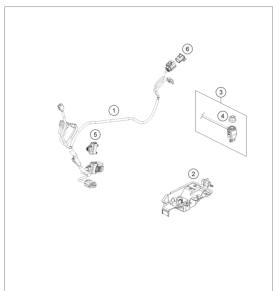


All information contained is without obligation. KTM Sportmotorcycle GmbH particularly reserves the right to modify any equipment, technical specifications, prices, colors, shapes, materials, services, service work, constructions, equipment and the like so as to adapt them to local conditions or to cancel any of the above items, all without previous announcement and without giving reasons. KTM may stop manufacturing certain models without previous notice. KTM shall not be held liable for any deviations of availability and/or ability to deliver, illustrations, descriptions, printing and/or other errors. The illustrated models partly contain extra equipment, which is not applied to standard models.

© by KTM Sportmotorcycle GmbH, Mattighofen AUSTRIA; All rights reserved; Reprint, also in extracts, with written allowance of KTM Sportmotorcycle GmbH, Mattighofen only.

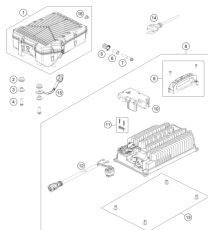
<p>FRONT FORK, TRIPLE CLAMP</p>  <p style="text-align: right;">3</p>	<p>FRONT FORK DISASSEMBLED</p>  <p style="text-align: right;">4</p>	<p>HANDLEBAR, CONTROLS</p>  <p style="text-align: right;">5</p>	<p>FRAME</p>  <p style="text-align: right;">6</p>
<p>ENGINE GUARD</p>  <p style="text-align: right;">7</p>	<p>SHOCK ABSORBER</p>  <p style="text-align: right;">8</p>	<p>SWING ARM</p>  <p style="text-align: right;">9</p>	<p>TANK, SEAT</p>  <p style="text-align: right;">10</p>
<p>MASK, FENDERS</p>  <p style="text-align: right;">11</p>	<p>DECAL</p>  <p style="text-align: right;">12</p>	<p>FRONT WHEEL</p>  <p style="text-align: right;">13</p>	<p>REAR WHEEL</p>  <p style="text-align: right;">14</p>

WIRING HARNESS



15

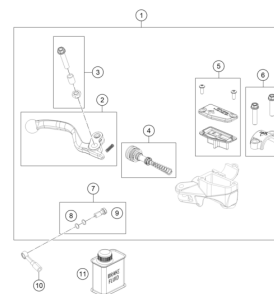
BATTERY



ACHTUNG:
DAS FORDERFAHRENSYSTEM MÜSSEN SIE
FÜR DEN EINSATZ MIT EINER
BATTERIE VEREINIGEN, DIE DEN
ANFORDERUNGEN ENTSPRECHT.
! !

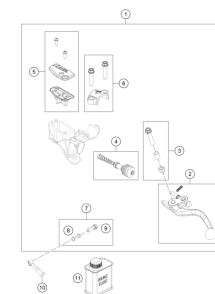
16

FRONT BRAKE CONTROL



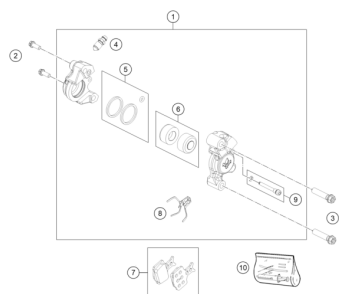
17

REAR BRAKE CONTROL



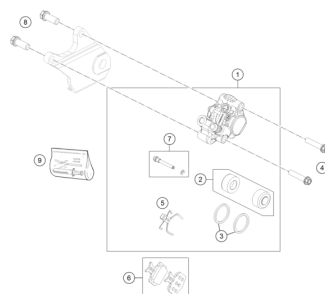
18

FRONT BRAKE CALIPER



19

REAR BRAKE CALIPER



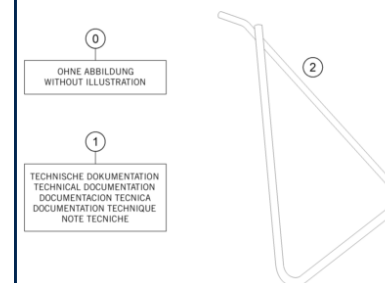
20

INSTRUMENTS / LOCK SYSTEM



21

SEPERATE ENCLOSURE



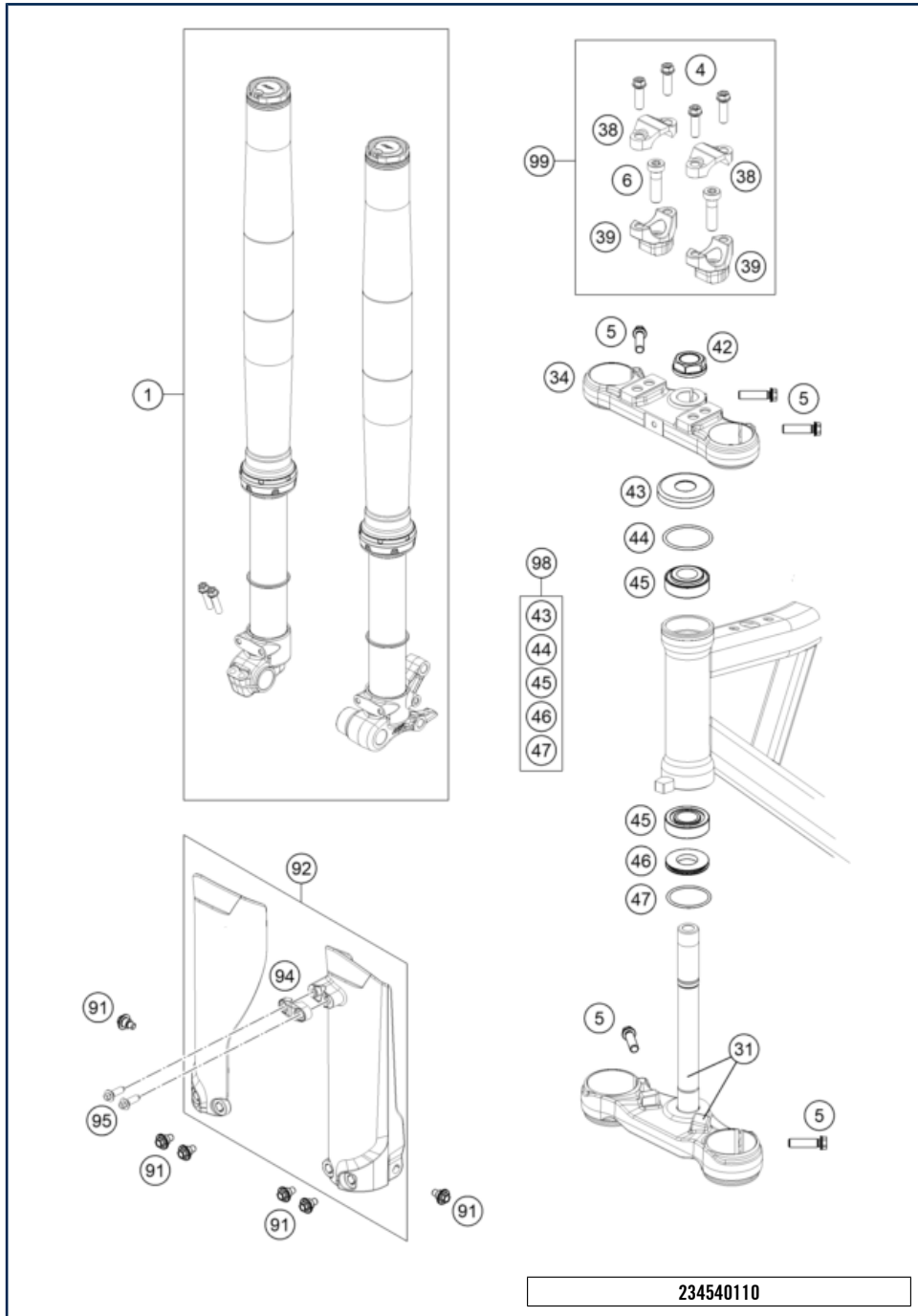
22

WP SHIMS FOR SETTING



- ① 0,5 mm
- ② 0,6 mm
- ③ 0,8 mm
- ④ 1,0 mm
- ⑤ 1,2 mm
- ⑥ 1,4-14,5 mm
- ⑦ 1,6 mm
- ⑧ 2,0 mm
- ⑨ 2,1 mm
- ⑩ 2,2 mm
- ⑪ 2,3 mm
- ⑫ 2,45 mm
- ⑬ 2,6-2,6-2,6 mm
- ⑭ 3,2 mm
- ⑮ 5,2 mm

23

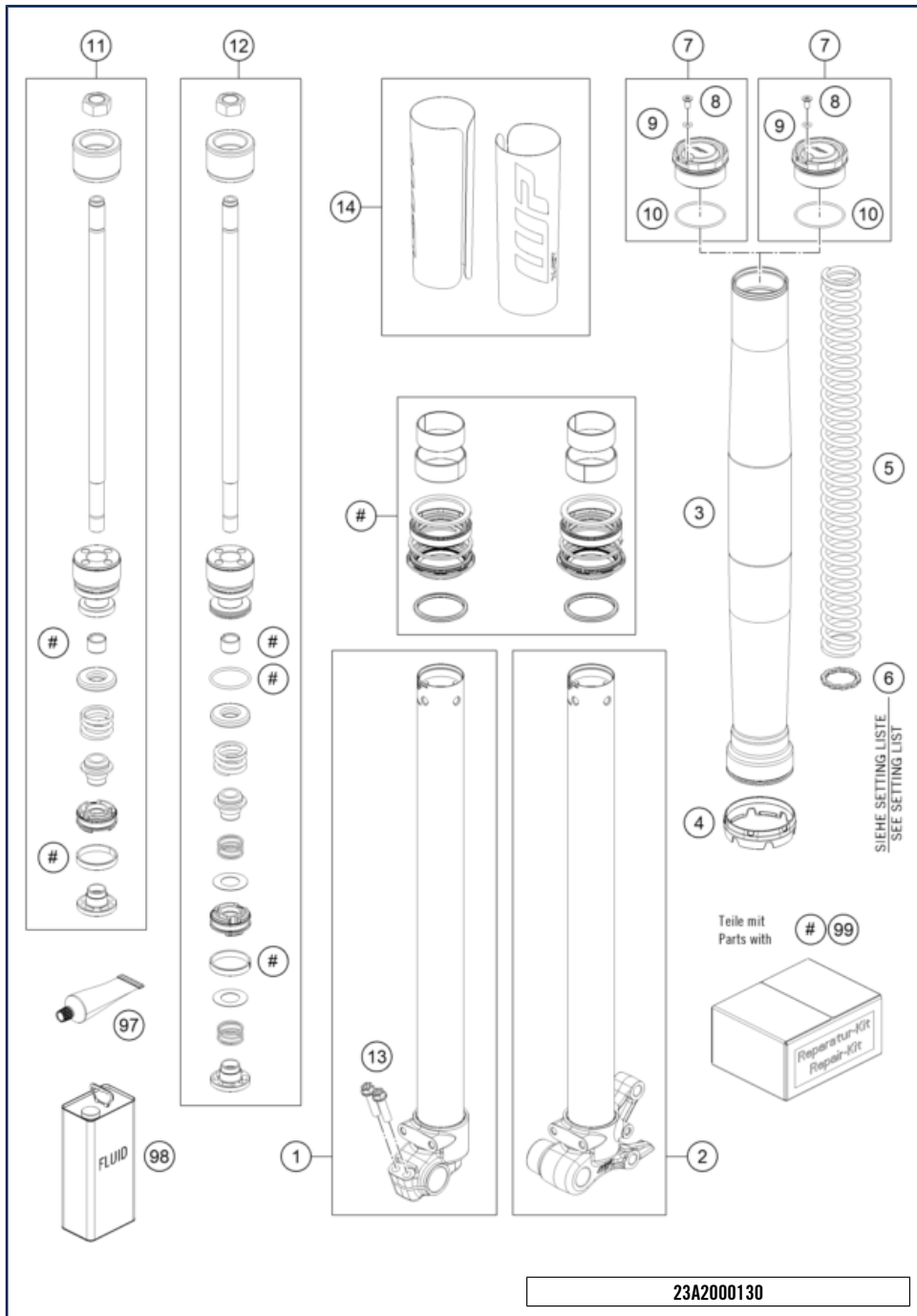


POS	PARTNUMBER		PIECE
1	A200C101W109000	Fork E3 MY23	1
4	0025080256	HH collar screw M8x25	4
5	0025080306	HH collar screw M8x30	5
6	0032100356S	AH-COLLAR SCREW M10X35 ISA45	2
31	45301032022	Bottom triple clamp, complete, 2 rings	1
34	45301034022	Top triple clamp	1
38	77201038000	HANDLEBAR CLAMP 28MM	2
39	59401039032	HANDLEB.SUPP. D=28MM H=32MM 05	x
39	59401039037	HANDLEB.SUPP. D=28MM H=37MM 05	2
39	59401039042	HANDLEB.SUPP. D=28MM H=42MM 05	x
39	59401039047	HANDLEB.SUPP. D=28MM H=47MM 05	x
39	59401039052	handlebar support D28mm-H52mm	x
42	59030029000	HH NUT M20X1,5 WS=27 RIGHT	1
43	49001086000	COVERING CAP	1
44	0770021300	O-RING 40,94X2,62 NBR70	1
45	49001081000	TAPERED ROLLER BEARING 32004X	2
46	46001086000	PROTECTION RING 20,1X39X5	1
47	0770360030	O-RING 36,00X3,00 NBR	1
91	59001092050	SPECIAL SCREW M6X12,5 WS=8	6
92	46301094000FB	Fork protection kit MC 50/65 2021	1
94	46301085000FB	Clamp for brake hose	1
95	0017060206	SCREW F. PLASTIC K60X20AL SW6	2
98	00050000931	STEERING HEAD REP. KIT MINI	x
99	00050000921	HANDLEBAR SUPPORT KIT D28/H37	1

234540110

61780

* NEW PART X ON DEMAND

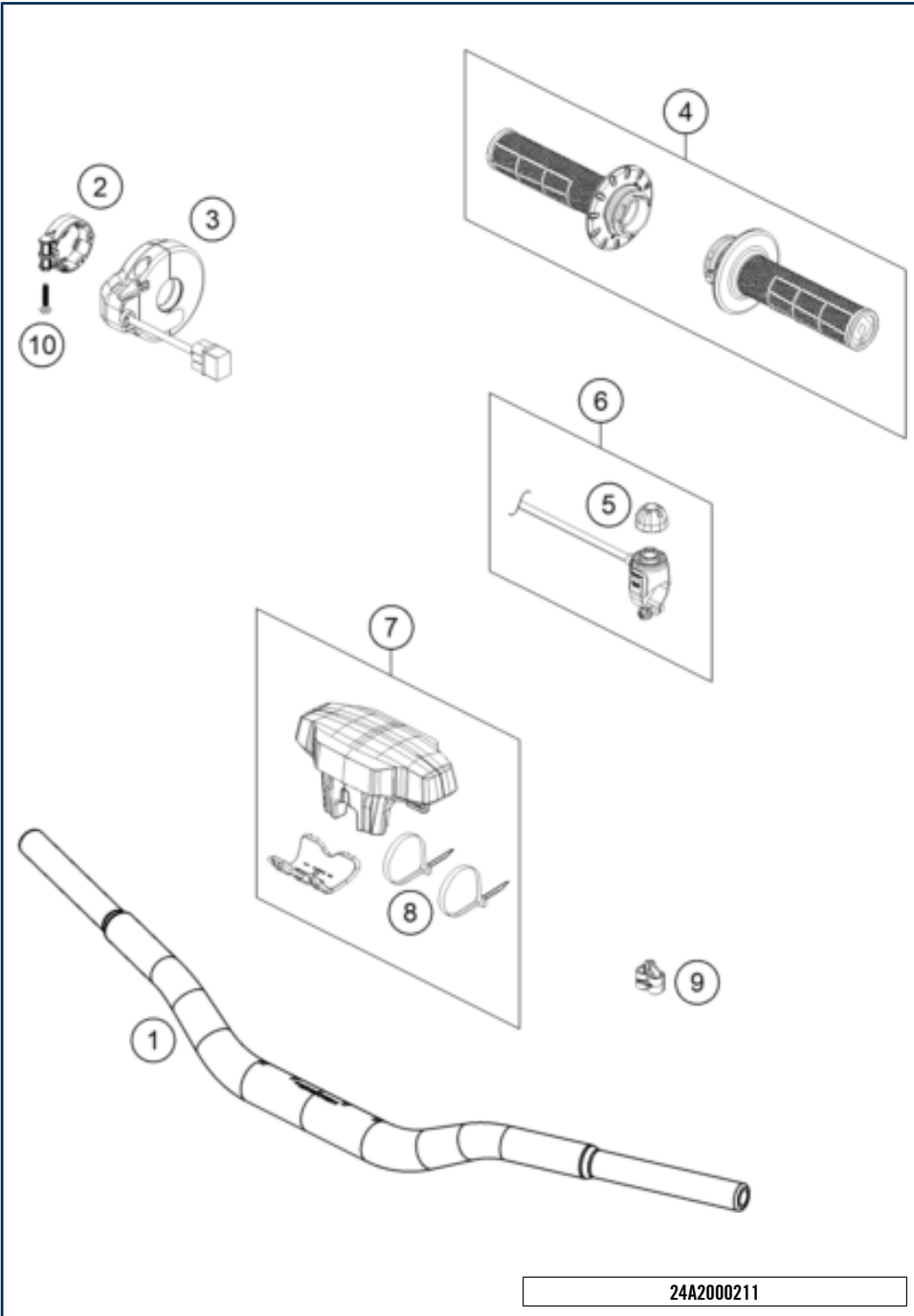


POS	PARTNUMBER		PIECE
1	S443500003S0200	Axle-clamp right cpl. E3 MY2023	1
2	S443500000S0200	Axle-clamp left cpl. E3 MY2023	1
3	35480585	Fork outer tube 36x425 dt42 db47	2
4	35480623	Fork protection ring 48,4mm	2
5	S80990001100000	main spring (29.0) 4.0-330 fork	1
6	35480497	Washer 22x30x2,5	x
7	35480602S	Screw cap M38x1,5 cpl.	2
8	00700007	ISA countersunk head screw M4x8 acc draw	2
9	50180222	O-ring 4x1,5 NBR70	2
10	46180581	O-ring 35x1,5 NBR70 yellow	2
11	S501200015S0200	Piston rod right with seal support cpl.	1
12	S501200015S0300	Piston rod le. with main jet cpl.	1
13	00250610	HH collar screw M6x25	2
14	52000220SET	Sticker set XACT 140x141	1
97	T14034	Fuchs grease IPR (250g)	x
98	48601166S1	Fork Fluid Viscosity 4.0 5L	x
99	RP10028	Repair kit 35mm black 50SX/TC Mini	x

23A2000130

59714

* NEW PART X ON DEMAND

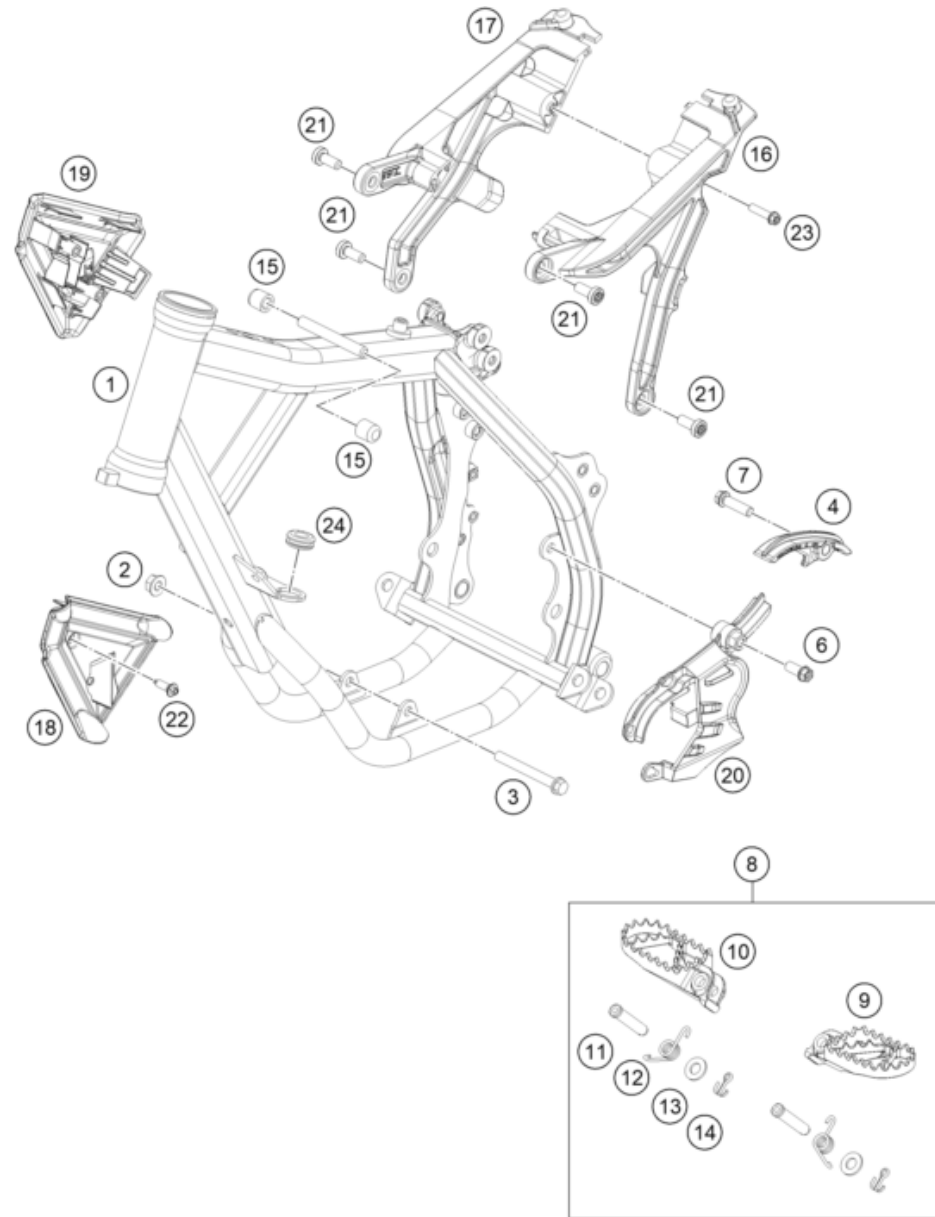


POS	PARTNUMBER		PIECE
1	A40002001000	Handlebar D=28mm	1
2	45402015000	clamping ring	1
3	45411012000	Ride-by-wire without throttle tube	1
4	45402021000	Grip Set	1
5	45411089050	Plug for safety pull switch	1
6	45411089000	Safety pull switch	1
7	45402102044	Handlebar pad cmpl.	1
8	44011076305	CABLE TIE 300/4,8MM BLACK	x
9	83013026000	CABLE GUIDE	1
10	0081035183	Ejot delta PT screw 35X18	1

24A2000211

62648

* NEW PART X ON DEMAND



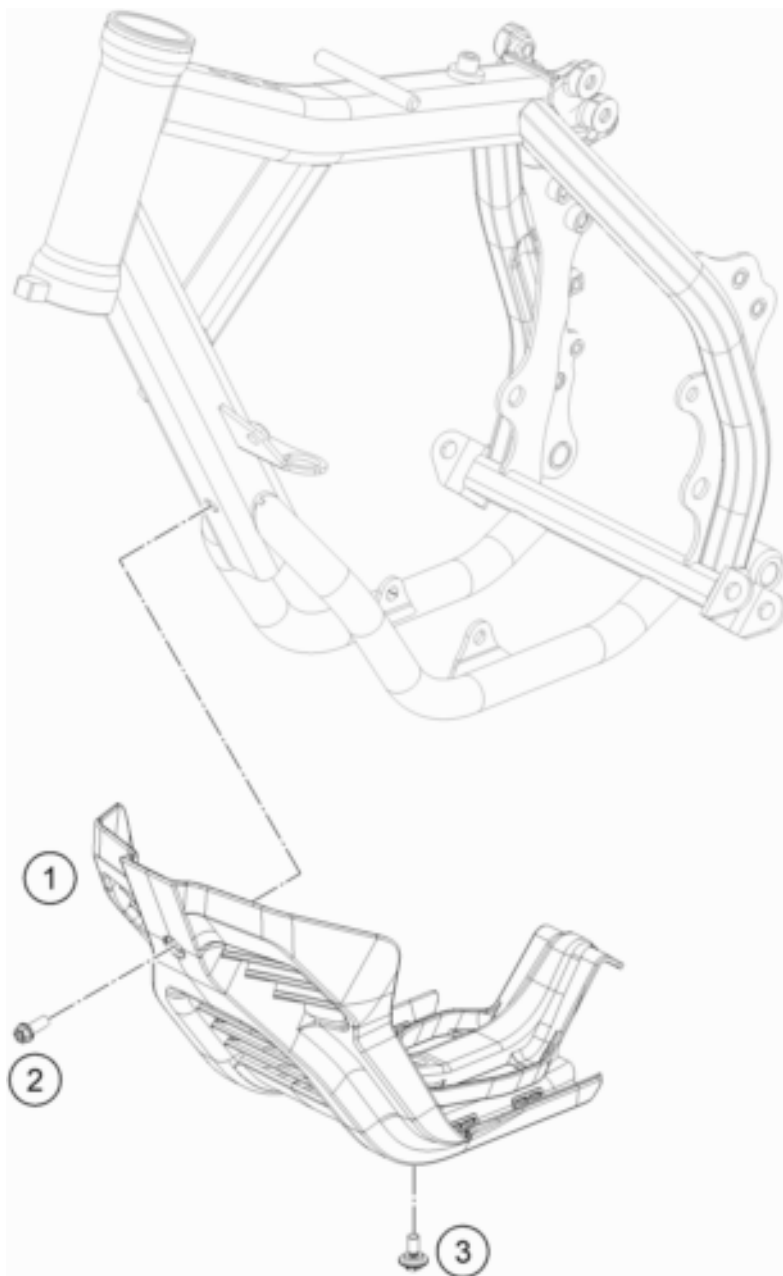
POS	PARTNUMBER		PIECE
1	45403001000FB	Frame 454T3	1
2	54310086200	SELF LOCKING NUT M8 10.9	1
3	01665080806	Hexagonal bolt EN 1665-M8x80-10.9	1
4	45303053000	Chain slider bottom	1
6	0025080166	HH COLLAR SCREW M8X16 TX40	1
7	0025080306	HH collar screw M8x30	1
8	47103040033	FOOTREST CPL. 14	1
9	47103040000	FOOTREST L/S	1
10	47103041000	FOOTREST R/S	1
11	54803044000	PIN FOR FOOT PED 51.5X9.8 MM	2
12	54603041000	FOOTREST SPRING L/S & R/S	2
13	0125100003	washer DIN 125 A 10.5	2
14	0094032253	PIN DIN0094-3,2X25 STEEL	2
15	76006014000	rubber grommet	2
16	45403002010	Subframe left	1
17	45403002020	Subframe right	1
18	45403083000	Frame cover left	1
19	45403084000	Frame cover right	1
20	45403096000	Failure protection	1
21	0035080206S	SHCS M8x20 TX45	4
22	0017060255	EJOT PT SCREW K60X25-Z SW6	1
23	0025060256	HH collar screw M6x25 TX30	1
24	41001052000	RUBBER SLEEVE D=12MM	2

224540310

57346

* NEW PART

X ON DEMAND



POS	PARTNUMBER		PIECE
1	45403090000	skid plate	1
2	0025060166	HH collar screw M6x16 TX30	4
3	83008000015	SPECIAL SCREW M6X15X3	1

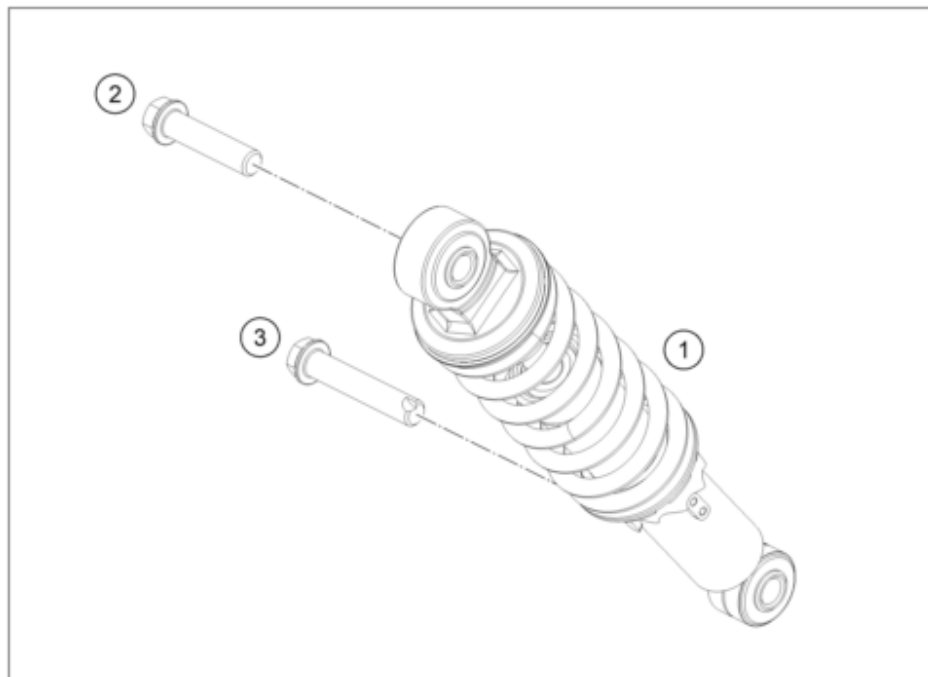
204540330

53130

* NEW PART

X ON DEMAND

POS	PARTNUMBER		PIECE
1	A200C444W915102	Shock KTM E3 MJ23 30N/mm	x
1	A200C443W915102	Shock absorber KTM E25 MJ23	1
1	A200C445W915102	Shock KTM E3 MJ23 40N/mm	x
2	69004089000	HH COLLAR SCREW M10X42 WS13 08	1
3	77204089000	HH COLLAR SCREW M10X52 SW13	1

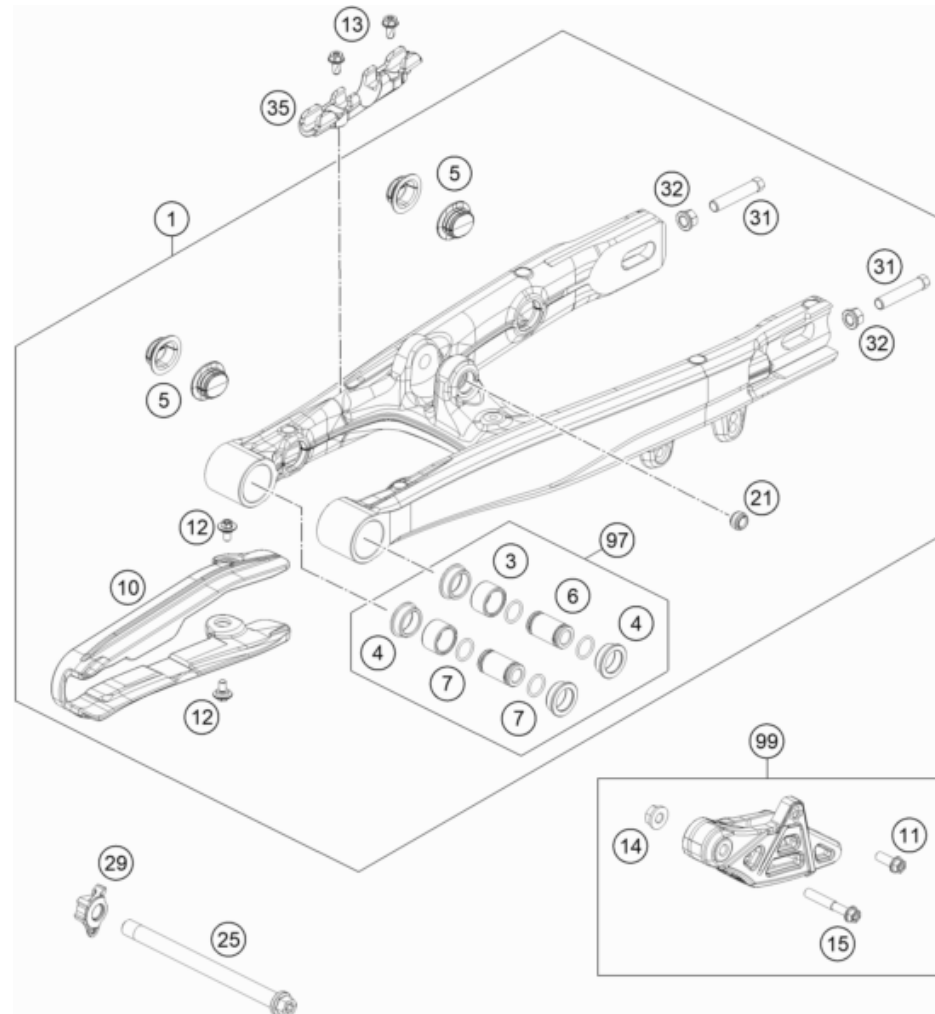


234540410

60661

* NEW PART

X ON DEMAND



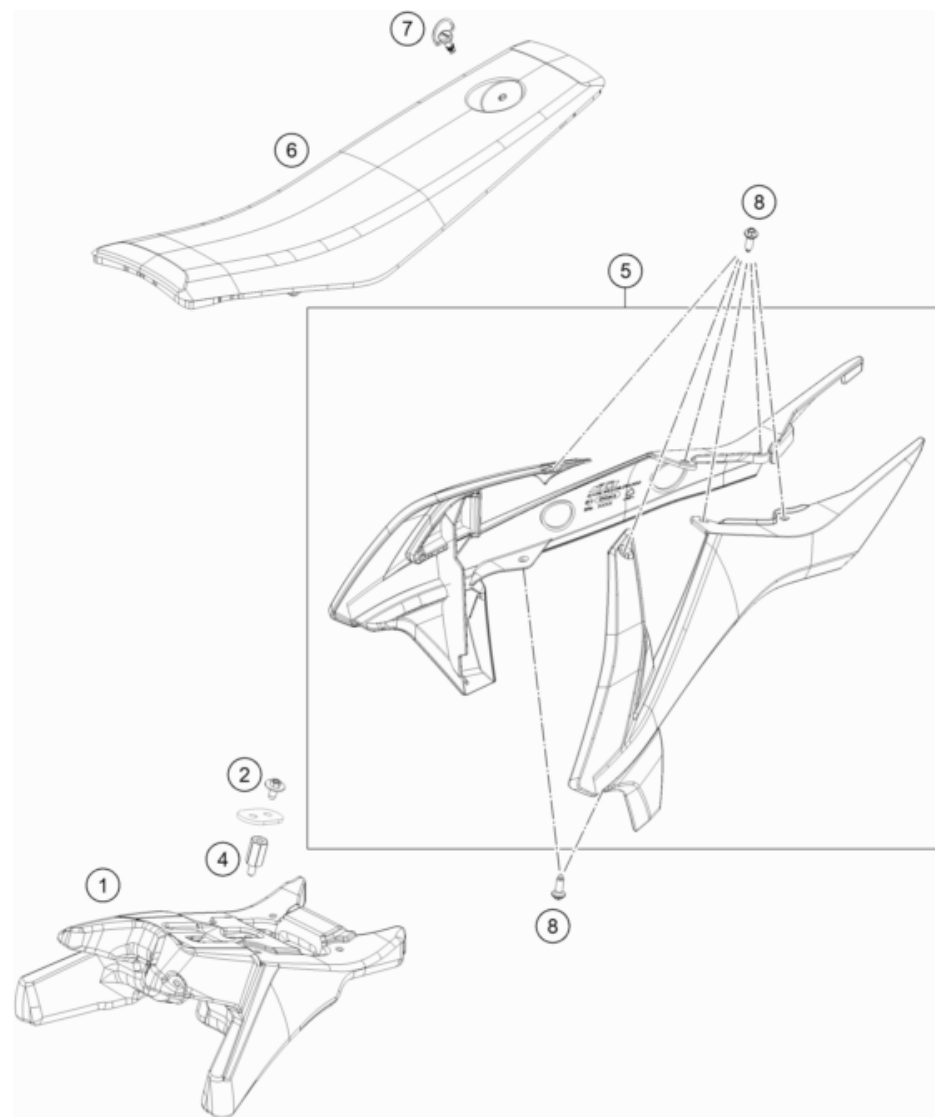
POS	PARTNUMBER		PIECE
1	45404030044	Schwing arm cpl	1
3	54603097000	NEEDLE BUSH HK 2016	2
4	46004030070	SPACER BUSHING 20X26X30X9,7	4
5	45404041000	Locking cap, swingarm	4
6	46004030071	BUSHING BOX 12X20X36,5	2
7	0770160021	O-RING 16,00X2,00 VITON	4
10	45404066000	Chain sliding protection	1
11	0025060166	HH collar screw M6x16 TX30	1
12	83008000012	special screw M6x12x3	2
13	0009050106	EJOT SPIRAL SCREW SF M5X10-K	2
14	56509064100	SELF LOCKING NUT M6 10.9	1
15	0025060406	HH collar screw M6x40 TX30	1
21	69004095000	ADAPTOR NUT M10	1
25	45404037000	Swingarm pivot	1
29	45404038000	Nut with anti-rotation lock	1
31	50203030090	HH SCREW M8X40 WS=10	2
32	46030045000	flanged nut M8 WS10	2
35	45413047000	Brake line guide	1
97	45204230010	SWINGARM REP. KIT 50/65 SX	1
99	46307066010	CHAIN GUIDE KIT REAR 2016	1

204530490

53129

* NEW PART

X ON DEMAND



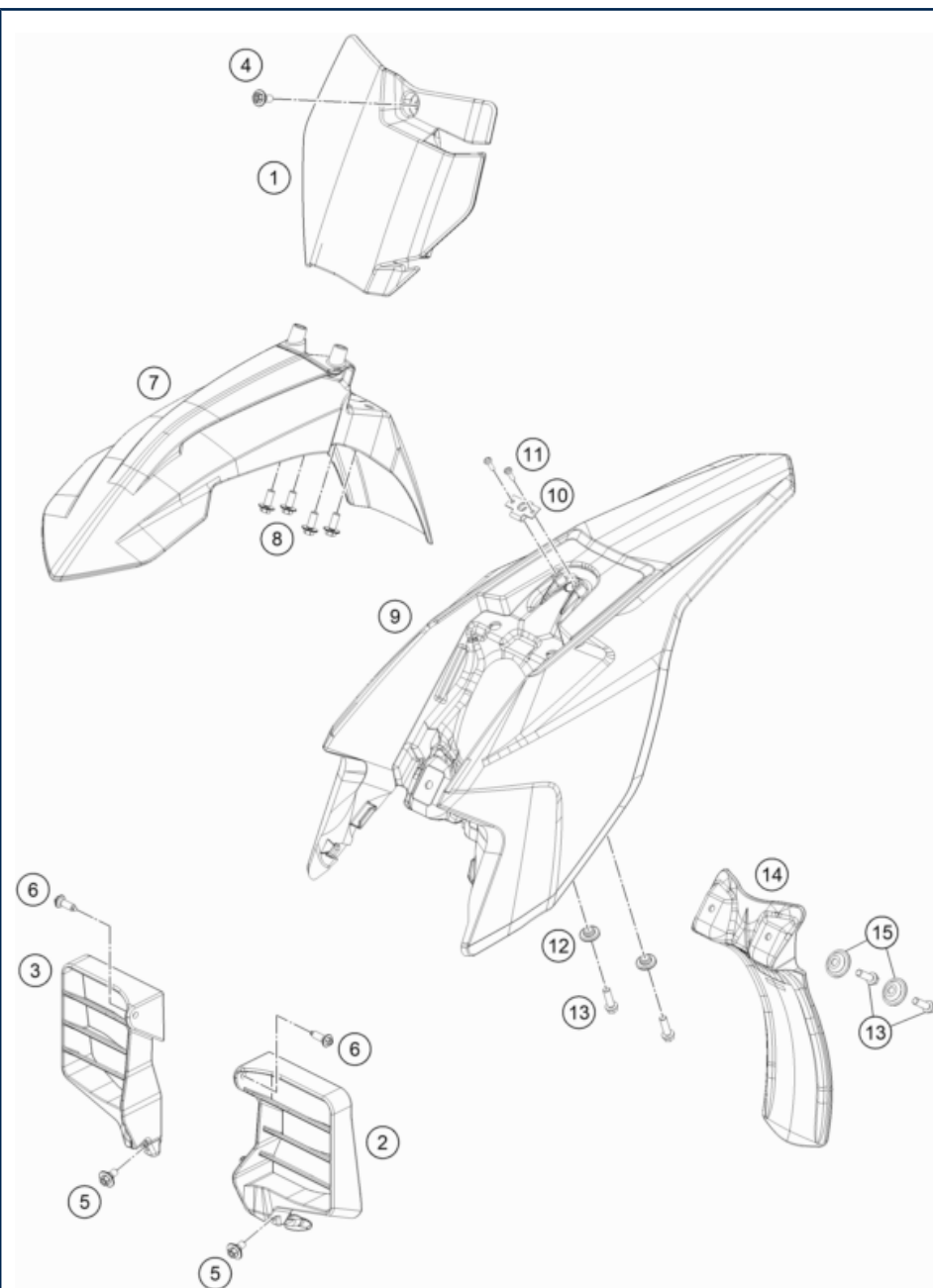
POS	PARTNUMBER		PIECE
1	45407213000	Spoiler bracket	1
2	0024060123	COLLAR SCREW M6X12 TX	1
4	45407013010	Thread adapter for spoiler bracket	1
5	45308054000FBD	Spoiler kit MC-E 2023 with decal	1
6	45307140000	Seat	1
7	45007040051	QUICK RELEASE CPL. 50 SXR '97	1
8	0017060206	SCREW F. PLASTIC K60X20AL SW6	8

204540710

61781

* NEW PART

X ON DEMAND



POS	PARTNUMBER		PIECE
1	45308007000FB	Start number plate MC50	1
2	45408060000	Air duct, left	1
3	45408061000	Air duct, right	1
4	0024060106	HH COLLAR SCREW M6X10 TX30	1
5	83008000012	special screw M6x12x3	2
6	0017060205	SCREW FOR PLASTIC K60X20 SW6	2
7	45308010000FB	Front fender	1
8	0024060136	HH collar screw M6x13 TX30	4
9	45308013000FB	Tail section	1
10	45007040050	QUICK RELEASE LATCHPLATE	1
11	0981350133	SHEET MET.SCR.DIN7981-3,5X13	2
12	54808020000	SPACER BUSHING 03	2
13	0025060166	HH collar screw M6x16 TX30	4
14	45206010000	SPLASH PROTECT. 50 SX 2009	1
15	72210079000	BUCKET	2

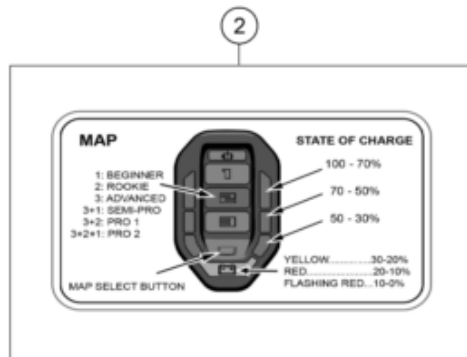
204540810

60744

* NEW PART X ON DEMAND



POS	PARTNUMBER		PIECE
1	A54008099600	Graphics kit MC-E 2023	1
2	45445060090	Sticker technical information	1

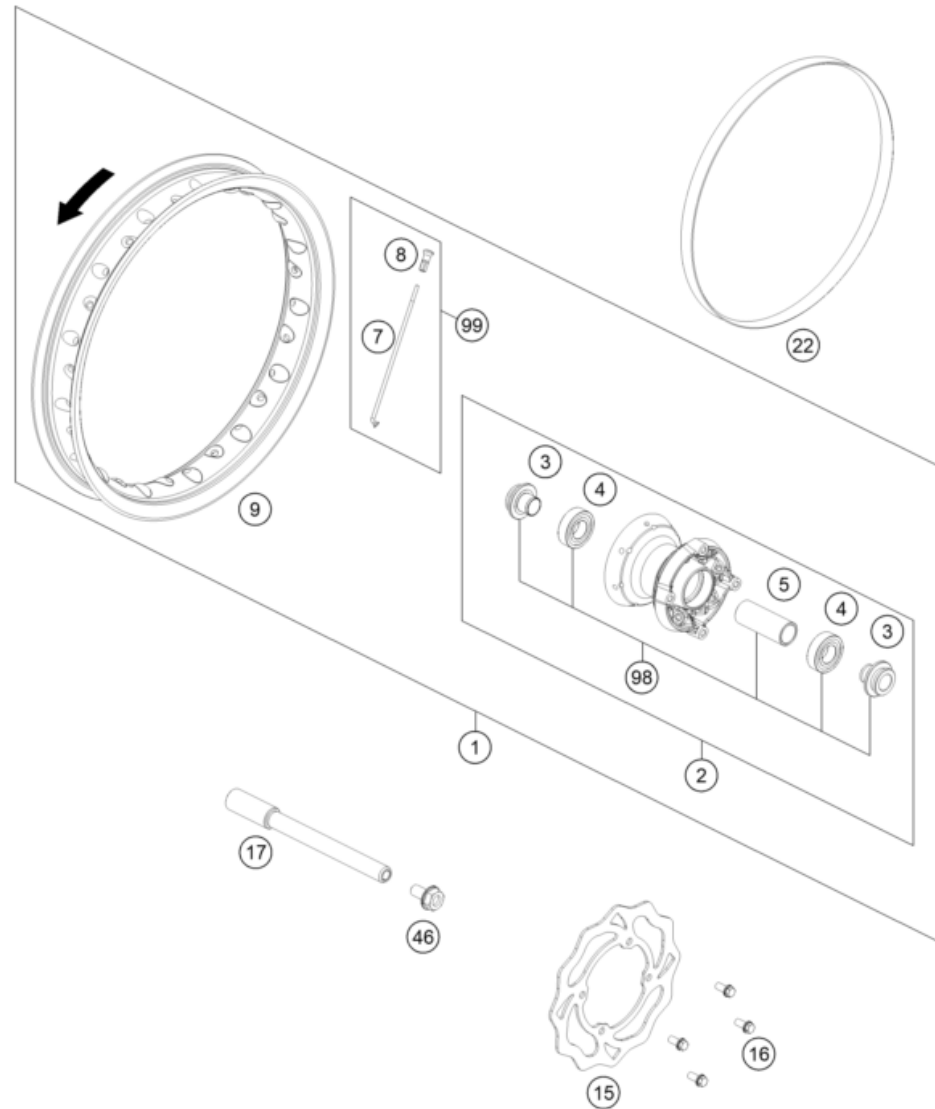


234540831

60747

* NEW PART

X ON DEMAND



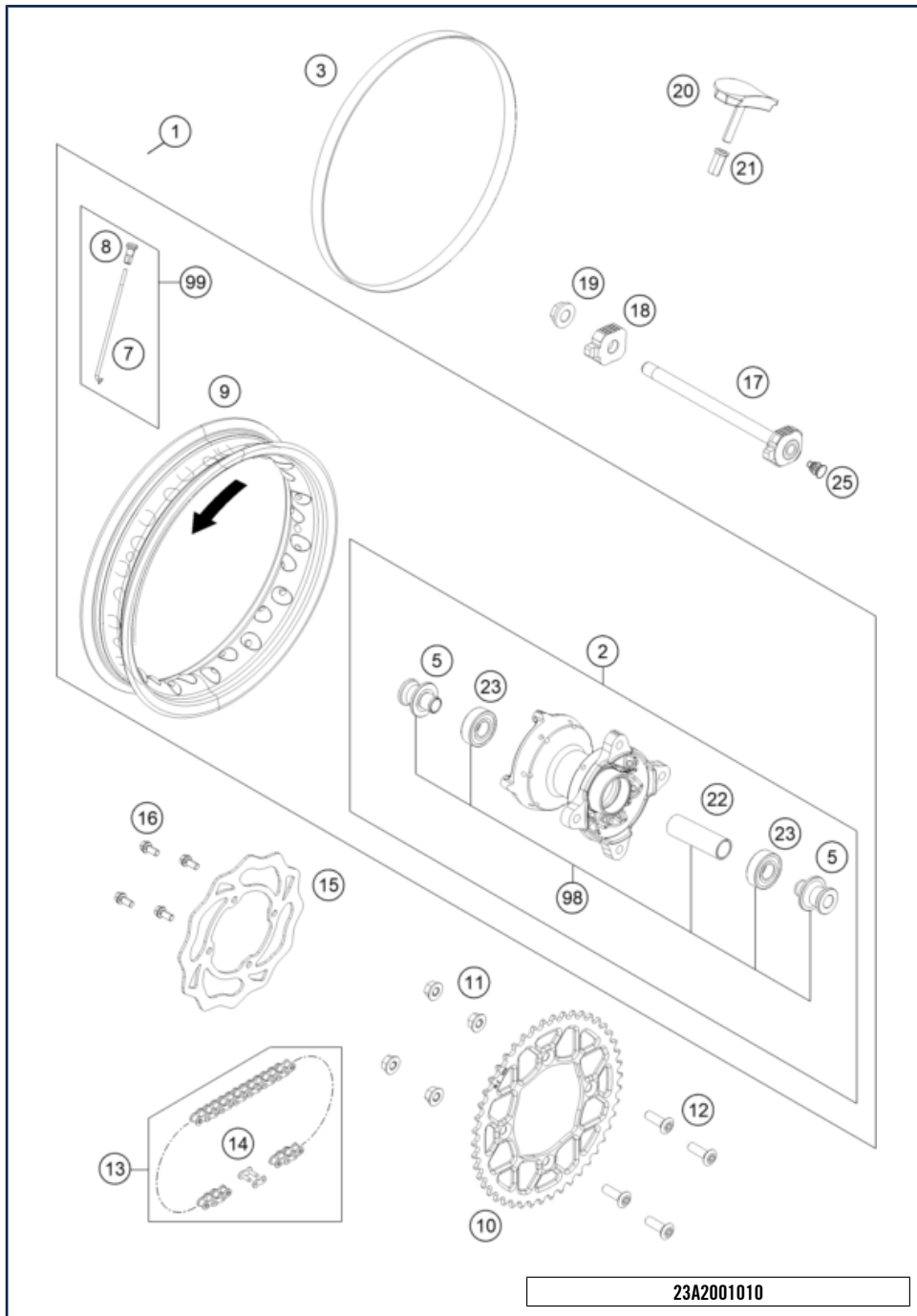
POS	PARTNUMBER		PIECE
1	45309001244	Front wheel 1.6x10" cmpl. 2023	1
2	A40009010044	Front hub cmpl.	1
3	45309012000	Distance bushing	2
4	0625060037	GR.BALL BEAR. 6003-2RSH/C3HMTF	2
5	45309011000	Spacing tube front	1
7	A40009071100	Spoke M3,5X100-10	28
8	46210072000	SPOKE NIPPLE ALU	28
9	4520907050033	"Front rim 1,6x10""	1
15	45209060000	BRAKE DISC FRONT JUN/SEN 09	1
16	59009062013	SPECIAL SCREW M6X13 WS=8 10.9	4
17	45209081000	AXLE FRONT	1
22	45009073000	RIM BAND 10" 22MM	1
46	49032011000	HH COLLAR SCREW M10X20 WS=17	1
98	A40009015000	Front wheel Rep. Kit E-3	x
99	00050000964	SPOKE KIT FRONT 12"	x

23A2000910

60671

* NEW PART

X ON DEMAND



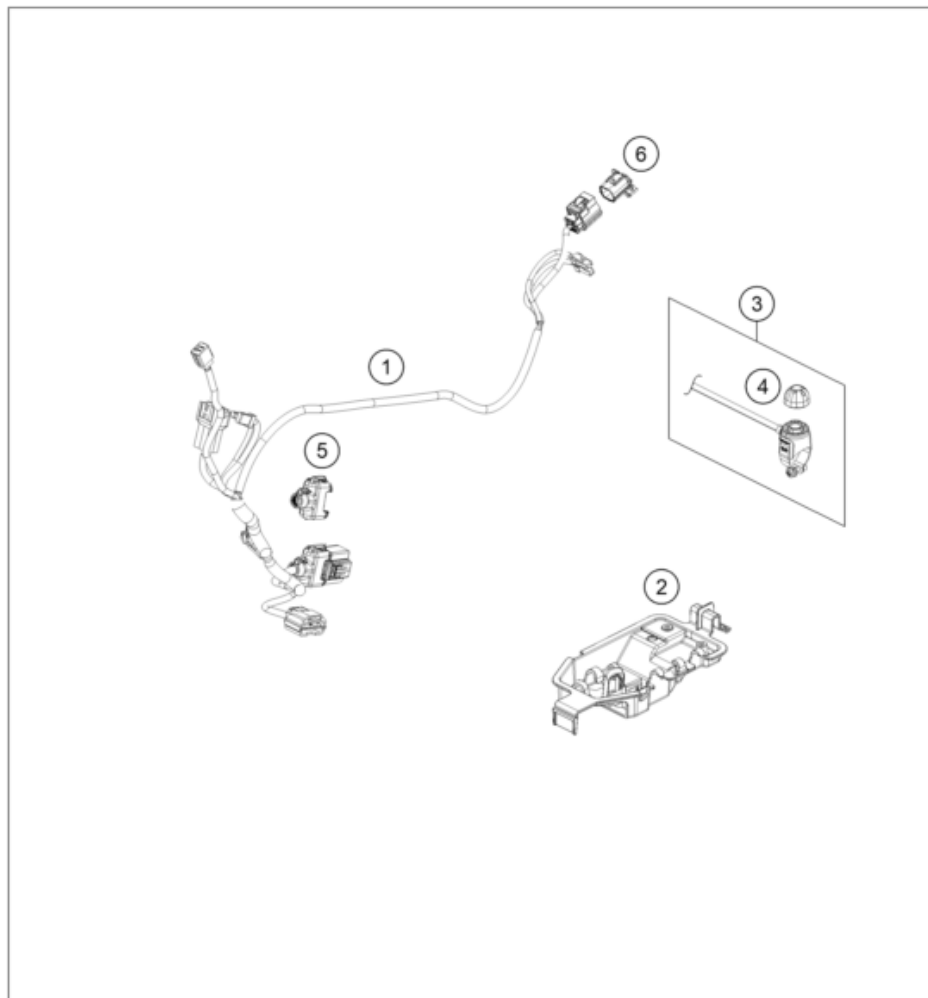
POS	PARTNUMBER		PIECE
1	45410001044	Rear wheel 1.6x10" cmpl. 2023	1
2	A40010010044	Rear hub cmpl.	1
3	45009073000	RIM BAND 10" 22MM	1
5	45310113000	Distance bushing	2
7	A40009071100	Spoke M3,5X100-10	28
8	46210072000	SPOKE NIPPLE ALU	28
9	4521007020033	"Rear rim 1,6x10""	1
10	45410051045	Sprocket 45Z	x
10	45410051046	Rear sprocket 46 teeth	1
10	45410051047	Sprocket 47Z	x
11	54310086200	SELF LOCKING NUT M8 10.9	4
12	0019080266S	COUNTER-SUNK SCREW ISA45 M8X26	4
13	45110265104	RACING CHAIN 1/2X3/16" 50 SX	1
14	45110266000	CONNECTING LINK 1/2X3/16" 90RS	1
15	45209060000	BRAKE DISC FRONT JUN/SEN 09	1
16	59009062016	SPECIAL SCREW M6X16 WS=8 10.9	4
17	45410085044	Rear wheel spindle cmpl.	1
18	45410084000	Chain tension adjuster right	1
19	49030021100	Collar nut, M12x1, right	1
20	45110090000	RIM LOCK CPL. 2004	1
21	77110090050	NUT FOR WHEEL HOLDER	1
22	45310011000	Spacing tube rear	1
23	0625062027	BALL BEARING 6202 2RS1 C3	2
25	50210086000	COVERING CAP SFL16	1
98	A40010015000	Rear wheel Rep. Kit E-3	x
99	00050000969	SPOKE KIT REAR 10"	1

23A2001010

60670

* NEW PART

X ON DEMAND



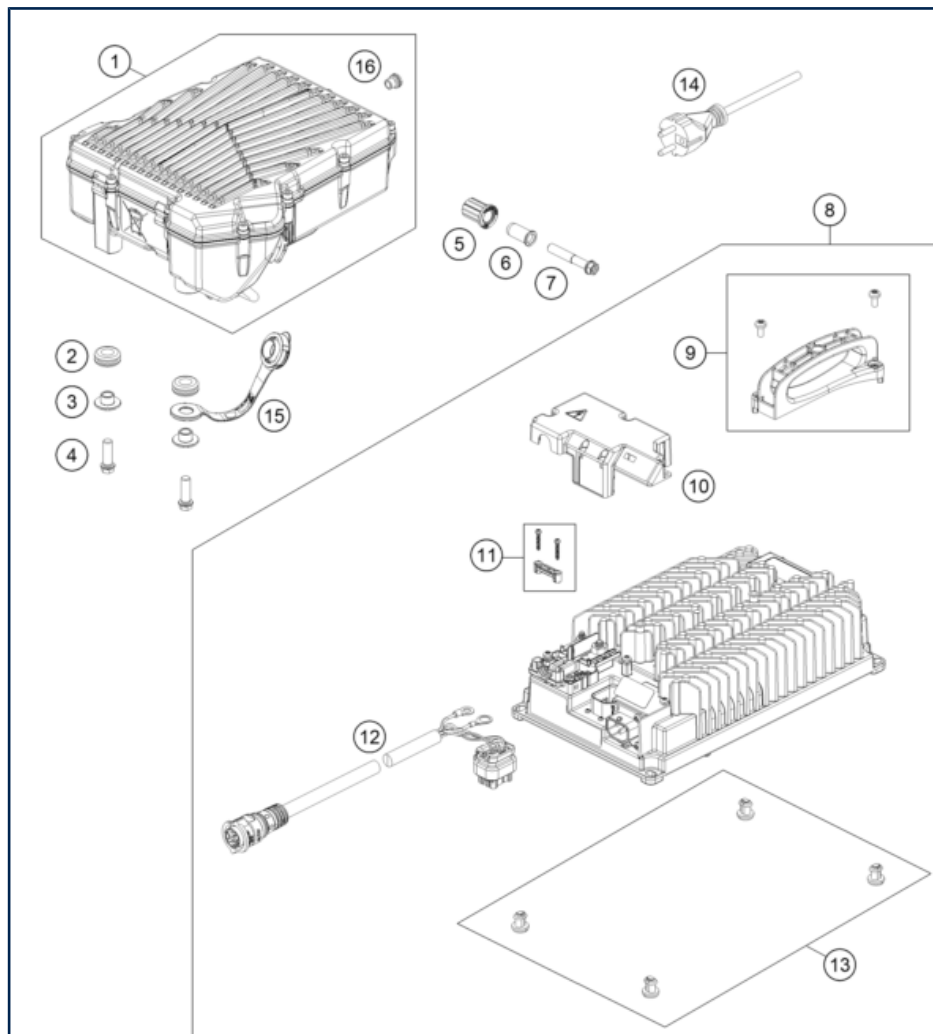
POS	PARTNUMBER		PIECE
1	45411085100	Wiring harness engine	1
2	45411094100	electric compartment	1
3	45411189000	Safety pull switch	1
4	45411189050	Plug for map safety pull switch	1
5	0007000000I001	Protection cap	1
6	000700000PJ001	blind cap	1

214541110

54656

* NEW PART

X ON DEMAND



ACHTUNG!!!
 DAS POWERPACK DARF NUR AN EIGENTÜMER VON
 E MODELLEN VERKAUFT WERDEN!
 VORLAGE DER AUSLIEFERUNGURKUNDE NÖTIG!

CAUTION!!!
 DO NOT SELL THE KTM POWERPACK TO
 E MODEL OWNERS ONLY!
 PRESENTATION OF THE
 DELIVERY CERTIFICATE IS OBLIGATORY!

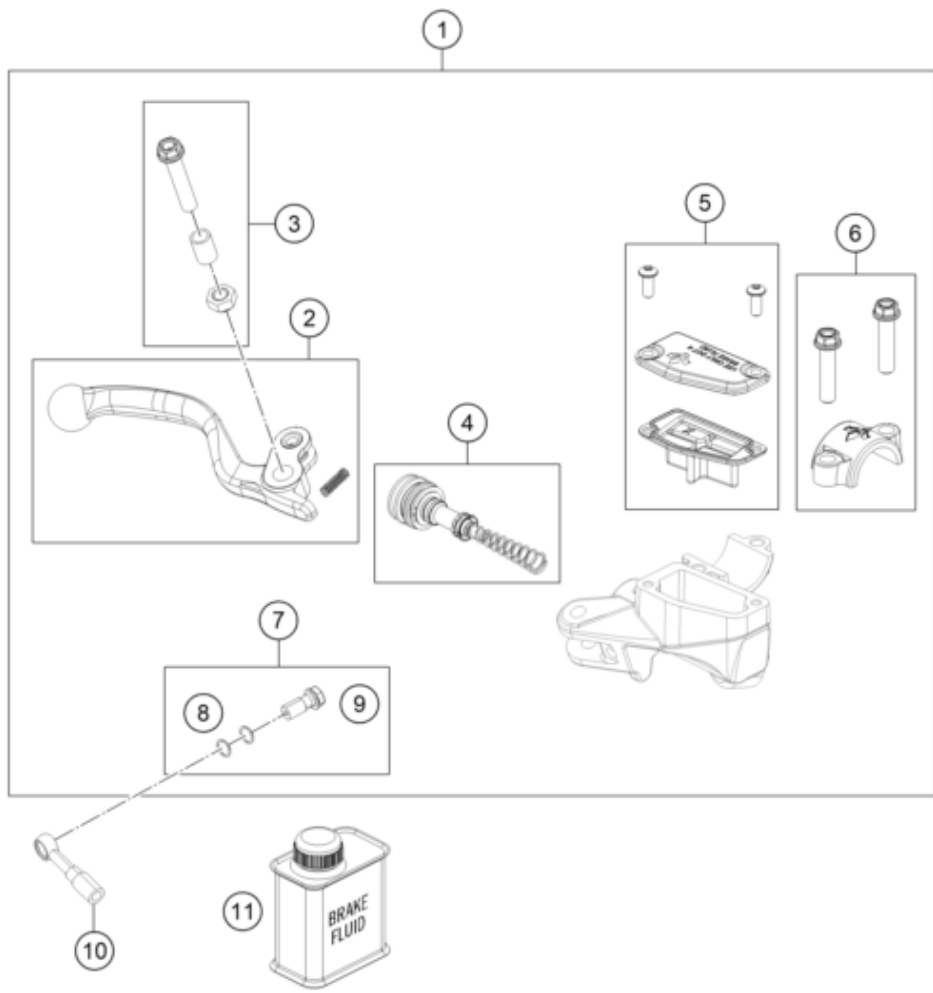
204541130

POS	PARTNUMBER		PIECE
1	A20045053000	Power Pack Mini E	1
2	41001052000	RUBBER SLEEVE D=12MM	2
3	58405050065	collar bushing 8.5x12x23.5x10	2
4	0025080256	HH collar screw M8x25	2
5	61005013000	RUBBER SILENCER SUPPORT 05	1
6	61005014000	SLEEVE SILENCER SUPPORT 05	1
7	0025080506	HH collar screw M8x50 TX40	1
8	45429074044	Charger cmpl.	1
9	45429074052	Handle kit incl. Screws kit	1
10	45429074053	Cover cmpl.	1
11	45429074085	Strain relief, charging cable complete	1
12	45429074180	Charging cable	1
13	45429074051	Rubber feet kit	1
14	45429074010	EU power cord	x
14	45429074020	UK power cord	x
14	45429074030	US power cord	x
14	45429074040	OZ power cord	x
15	45445053020	Protection cap charg. Conn.	1
16	70045084000	BLEEDER VALVE M12X1,5	1

60660

* NEW PART

X ON DEMAND



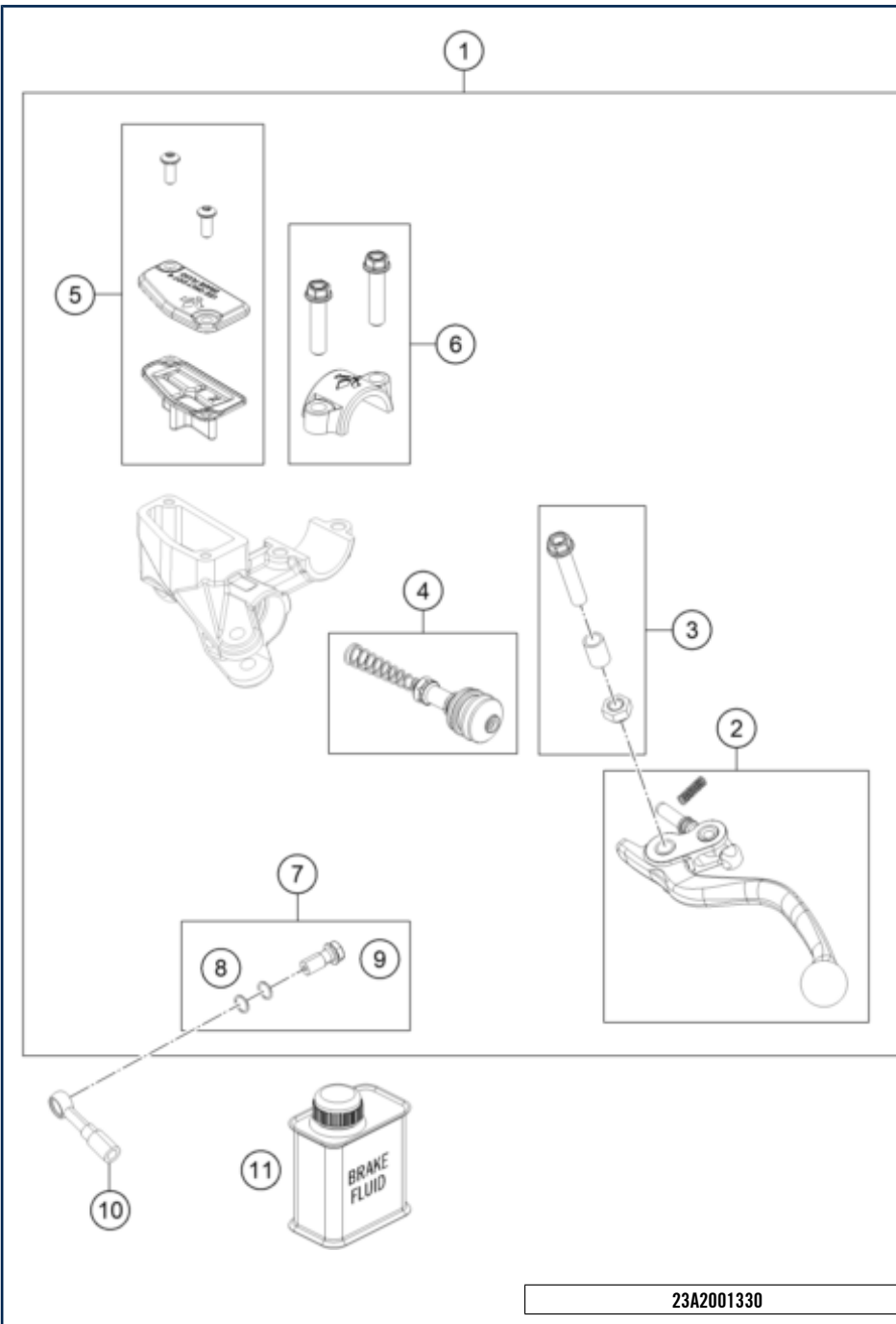
POS	PARTNUMBER		PIECE
1	A40013001044	HAND BRAKE CYLINDER	1
2	A40013002000	Lever Kit	1
3	70002038000	LEVER SCREW CPL.	1
4	72002032000	REP. KIT PISTON 10MM	1
5	47213003000	Reservoir kit	1
6	47213005000	Clamp Kit	1
7	47213025000	Hose screws kit	1
8	0770080019	O-RING 8,00X1,00 FORMULA	2
9	47013025000	HOLLOW SCREW BRAKE CYLINDER 03	1
10	A40013010000	FRONT BRAKE LINE L=1260mm	1
11	00062030000	BRAKE FLUID DOT5.1 0,25L	1

23A2001310

61764

* NEW PART

X ON DEMAND



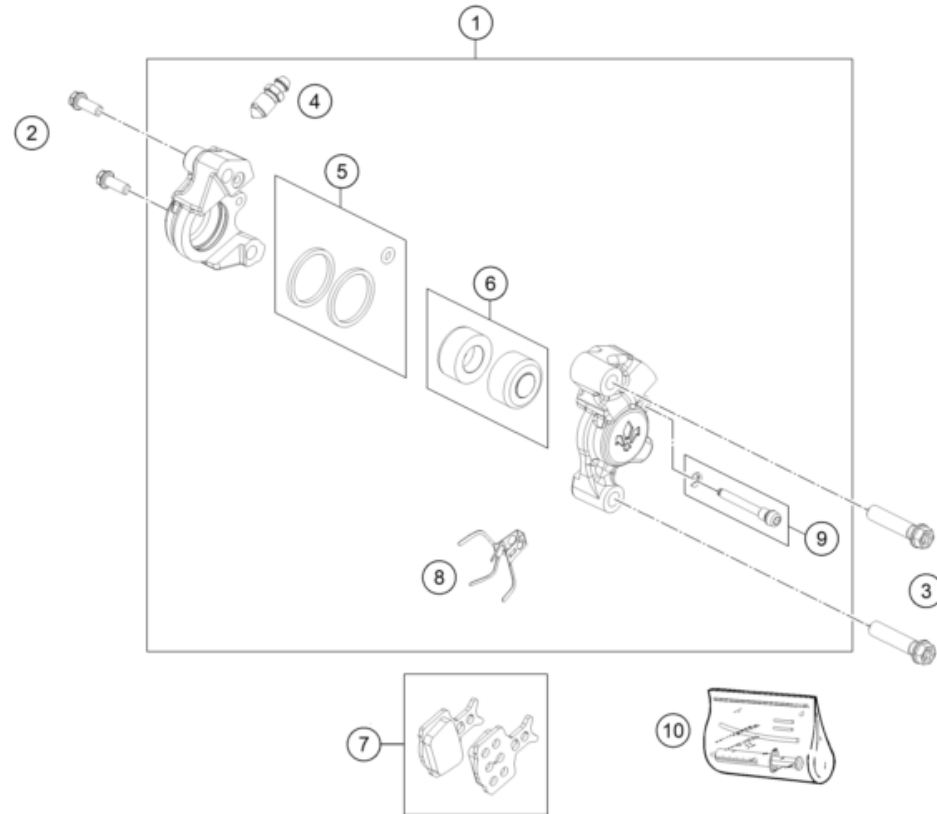
POS	PARTNUMBER		PIECE
1	A20013060000	HAND BRAKE CYLINDER	1
2	A40013002000	Lever Kit	1
3	70002038000	LEVER SCREW CPL.	1
4	72002032000	REP. KIT PISTON 10MM	1
5	A40002003000	Reservoir Kit	1
6	47213005000	Clamp Kit	1
7	47213025000	Hose screws kit	1
8	0770080019	O-RING 8,00X1,00 FORMULA	2
9	47013025000	HOLLOW SCREW BRAKE CYLINDER 03	1
10	A20013070000	brake line rear	1
11	00062030000	BRAKE FLUID DOT5.1 0,25L	1

23A2001330

60677

* NEW PART

X ON DEMAND



POS	PARTNUMBER		PIECE
1	A40013015001	Front caliper P4.32	1
2	0025060306S	HH collar screw M6x30 TX30	2
3	0025080356S	HH COLLAR SCREW M8X35 TX40	2
4	45113020000	BREATHER SCREW 50 2002	1
5	A40013021000	REPAIR KIT SEAL RING	1
6	A40013019000	REPAIR KIT BRAKEPISTON	1
7	A40013030000	BRAKE-PADS FRONT TOSH.TT2172HH	1
8	A40013018000	RETAINING SPRING 50 LC	1
9	A40013082000	RingISK screw M10x25 with locking ring	1
10	45119050000	BLEEDER INJECTION-SET 50-65	x

24A2001360

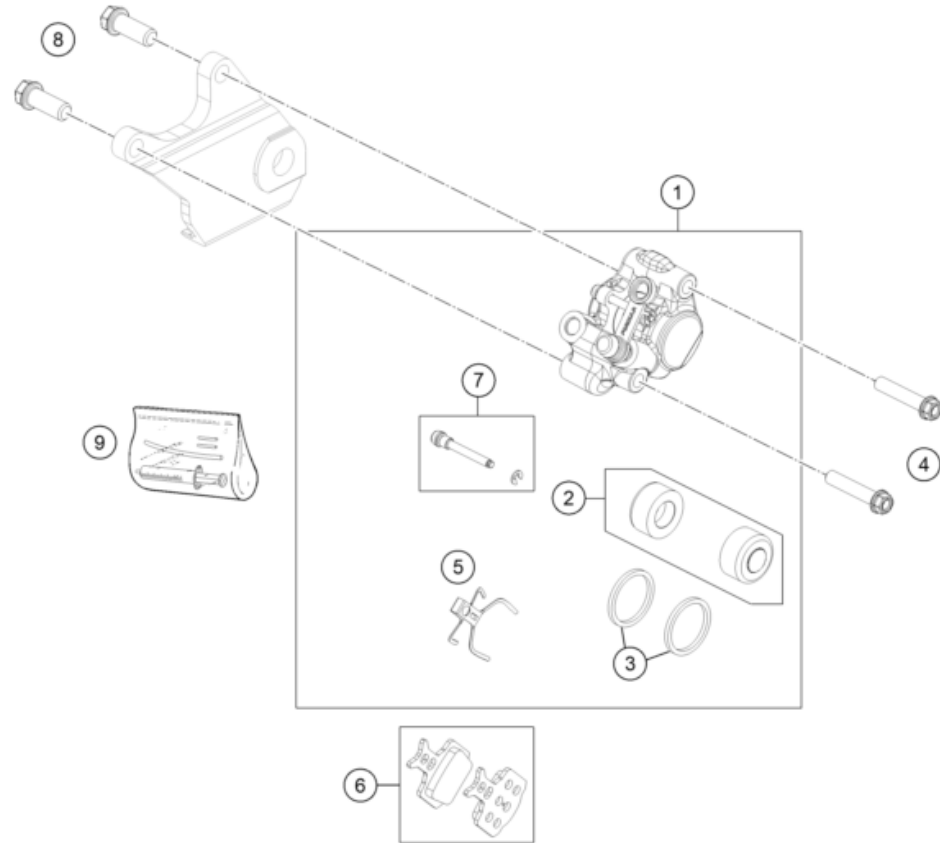
63699

* NEW PART

X ON DEMAND

REAR BRAKE CALIPER

MC-E 3 2024



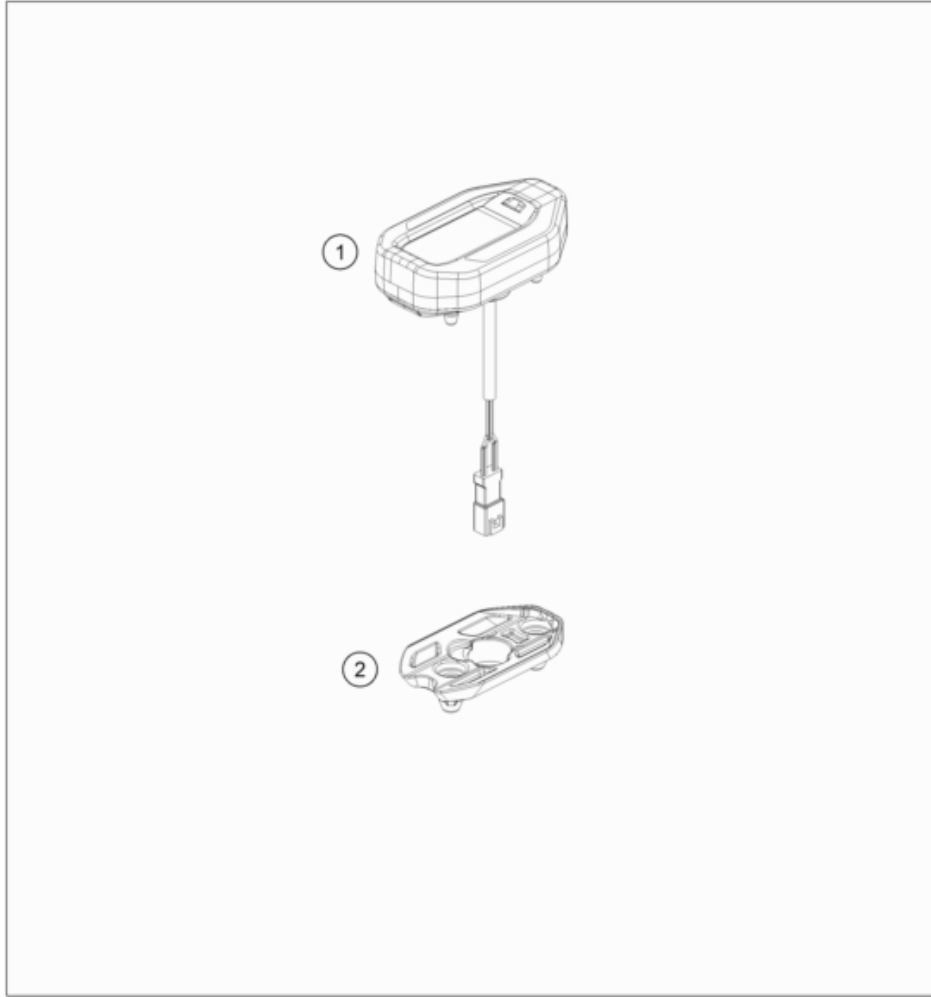
POS	PARTNUMBER		PIECE
1	A40013080001	Rear Brake caliper without pads	1
2	A40013019000	REPAIR KIT BRAKEPISTON	1
3	A40013021000	REPAIR KIT SEAL RING	1
4	0025060306S	HH collar screw M6x30 TX30	2
5	A40013018000	RETAINING SPRING 50 LC	1
6	A40013030000	BRAKE-PADS FRONT TOSH.TT2172HH	1
7	A40013082000	RingISK screw M10x25 with locking ring	1
8	0025080206S	HH collar screw M8x20 TX40 SL	2
9	45119050000	BLEEDER INJECTION-SET 50-65	x

23A2001390

60725

* NEW PART

X ON DEMAND



POS	PARTNUMBER		PIECE
1	70045090000	BATTERY CHARGING-LEVEL CONTROL	1
2	45445090050	Bracket charge lever indicator	1

204541430

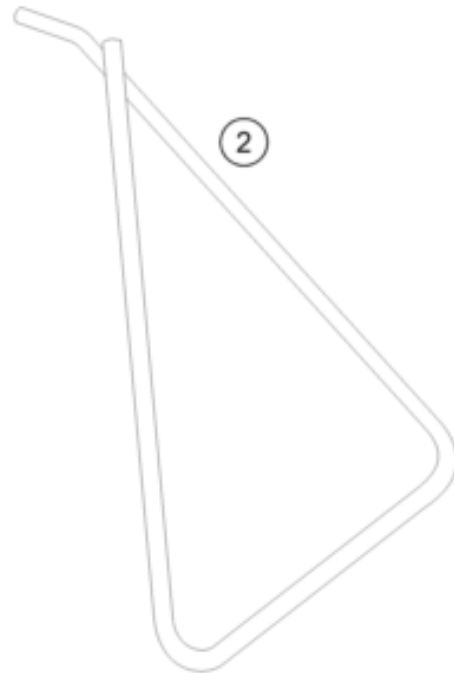
53137

* NEW PART

X ON DEMAND

0
OHNE ABBILDUNG
WITHOUT ILLUSTRATION

1
TECHNISCHE DOKUMENTATION
TECHNICAL DOCUMENTATION
DOCUMENTACION TECNICA
DOCUMENTATION TECHNIQUE
NOTE TECNICHE



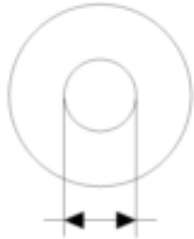
23A2002000

POS	PARTNUMBER		PIECE
0	45403090000	skid plate	1
0	0025060166	HH collar screw M6x16 TX30	1
0	83008000015	SPECIAL SCREW M6X15X3	1
0	00063004202	PRINT LABEL 60X51 MM	1
0	00063004012	HEADLIGHT MASK BOX	1
0	45411089060	Plug for safety pull switch	1
0	45308010033FBA	Front fender	1
0	0024060136	HH collar screw M6x13 TX30	4
0	52000220SET	Sticker set XACT 140x141	1
0	47103040033	FOOTREST CPL. 14	1
0	45402102044	Handlebar pad compl.	1
0	44011076140	CABLE TIE 140/2,5MM BLACK	4
0	45308397200	Displacement sticker set MC E3	1
1	3215153EN	Owner's manual MC-E 5 '24	1
2	45103023300	PLUG-IN STAND 50 SEN LC 03	1

63649

* NEW PART

X ON DEMAND



- 5 Ø 5 mm
- 6 Ø 6 mm
- 8 Ø 8 mm
- 10 Ø 10 mm
- 12 Ø 12 mm
- 14 Ø 14-14,5 mm
- 16 Ø 16 mm
- 20 Ø 20 mm
- 21 Ø 21 mm
- 22 Ø 22 mm
- 23 Ø 23 mm
- 24 Ø 24,5 mm
- 28 Ø 28,25-28,5 mm
- 32 Ø 32 mm
- 52 Ø 52 mm



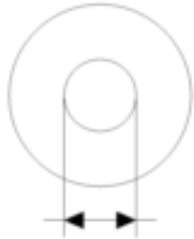
POS	PARTNUMBER		PIECE
1	48600611	Spring (10,2) l5 check valve	X
5	44906890	WASHER 5X15X2	X
6	40540400	Shim 6x12x0,10	X
6	40540401	Shim 6x14x0,10	X
6	40540402	Shim 6x16x0,10	X
6	40540403	Shim 6x18x0,10	X
6	40540404	Shim 6x12x0,15	X
6	40540405	Shim 6x14x0,15	X
6	40540406	Shim 6x16x0,15	X
6	40540407	SHIM 6X18X0,15	X
6	40540408	Shim 6x12x0,20	X
6	40540409	Shim 6x14x0,20	X
6	40540410	Shim 6x16x0,20	X
6	40540411	Shim 6x18x0,20	X
6	48600095	SHIM 6X20X0,20	X
6	40540412	Shim 6x12x0,25	X
6	40540413	Shim 6x14x0,25	X
6	40540414	Shim 6x16x0,25	X
6	40540415	Shim 6x18x0,25	X
6	40540417	SHIM 6X8,5X0,10	X
6	40540418	SHIM 6X9X0,10	X
6	40540419	SHIM 6X9,5X0,10	X
6	40540423	SHIM 6X9,5X0,15	X
6	40540425	SHIM 6X8,5X0,20	X
6	40540426	SHIM 6X9X0,20	X
6	40540427	SHIM 6X9,5X0,20	X
6	40540447	Shim 6x10x0,30	X
6	40540449	Shim 6x9x0,30	X
6	40540450	Shim 6x9,5x0,30	X
6	40540494	Shim 6x18x0,40	X
6	40540774	Shim 6x18x0,10 delta	X
6	40541383	Shim 6X11X0,10	X
6	40541391	Shim 6x11x0,30	X
6	40541402	Shim 6x11x0,20	X
6	40541403	SHIM 6X10X0,20	X
6	40541404	Shim 6x10x0,10	X
6	40541405	Shim 6x10x0,15	X
6	40541406	SHIM 6X11X0,15	X

080000190

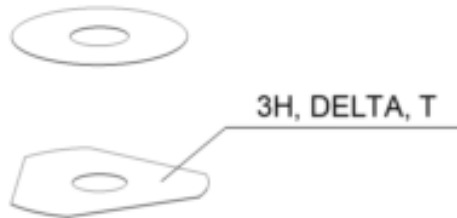
4668

* NEW PART

X ON DEMAND



- ⑤ Ø 5 mm
- ⑥ Ø 6 mm
- ⑧ Ø 8 mm
- ⑩ Ø 10 mm
- ⑫ Ø 12 mm
- ⑭ Ø 14-14,5 mm
- ⑯ Ø 16 mm
- ⑳ Ø 20 mm
- ㉑ Ø 21 mm
- ㉒ Ø 22 mm
- ㉓ Ø 23 mm
- ㉔ Ø 24,5 mm
- ㉘ Ø 28,25-28,5 mm
- ㉚ Ø 32 mm
- ㉜ Ø 52 mm



POS	PARTNUMBER		PIECE
6	40541408	SHIM 6X8,0X0,30	X
6	40541414	Shim 6x8x0,1	X
6	40541416	SHIM 6X8X0,3	X
6	40541417	SHIM 6X11X0,25	X
6	48600102	SHIM 6X24X0,25	X
6	48600063	Shim 6x24x0,10	X
6	48600064	Shim 6x22x0,10	X
6	48600065	Shim 6x20x0,10	X
6	48600069	Shim 6x20x0,15	X
6	48600100	Shim 6x24x0,15	X
6	48600116	Shim 6x24x0,10 delta	X
6	48600139	Shim 6x22x0,1 delta	X
6	48600217	Shim 6x10x0,25	X
6	48600325	Shim 6x13x0,10	X
6	48600327	SHIM 6X15X0,1	X
6	48600329	Shim 6x17x0,10	X
6	48600331	Shim 6x19x0,10	X
6	48600096	Shim 6x20x0,25	X
6	48600097	Shim 6x22x0,15	X
6	48600099	Shim 6x22x0,25	X
6	40540448	Shim 6x8,5x0,30	X
6	48600479	Shim 6x20x0,10 DELTA	X
6	48600332	SHIM 6X21X0,1	X
6	48600333	SHIM 6X23X0,1	X
6	40541393	Shim 6x12x0,30	X
6	48600330	SHIM 6X17X0,15	X
6	48600988	Shim 6x28x0,10	X
6	48600989	Shim 6x26x0,10	X
6	48601091	Shim 6x28x0,15	X
6	48601093	Shim 6x26x0,15	X
6	48600328	Shim 6x15x0,15	X
6	48600326	Shim 6x13x0,15	X
6	48601548	Shim 6x17x1,5	X
6	48601693	Washer 6x18x3	X
6	48600098	Shim 6x22x0,20	X
6	48601300	Washer 6x25x1,5	X
6	48601692	Shim 6x30x0,15	X
6	48601550	Shim 6x30x0,10	X

080000190

4668

* NEW PART

X ON DEMAND



- 5 Ø 5 mm
- 6 Ø 6 mm
- 8 Ø 8 mm
- 10 Ø 10 mm
- 12 Ø 12 mm
- 14 Ø 14-14,5 mm
- 16 Ø 16 mm
- 20 Ø 20 mm
- 21 Ø 21 mm
- 22 Ø 22 mm
- 23 Ø 23 mm
- 24 Ø 24,5 mm
- 28 Ø 28,25-28,5 mm
- 32 Ø 32 mm
- 52 Ø 52 mm



POS	PARTNUMBER		PIECE
6	40541392	Shim 6x8x0,2	X
6	48601917	Washer 6x25x4	X
6	48601916	Washer 6x18x4	X
6	40540399	Shim 6x16x0,30	X
6	48601584	Shim 6x30x0,4 spring shim	X
6	48601459	Washer check valve 6x31x0,4	X
6	48601849	Check valve plate 2,5mm hub	X
6	48600101	SHIM 6X24X0,20	X
6	48601094	Shim 6x26x0,20	X
6	40540422	Shim 6X9X0,15	X
6	48601841	Washer check valve 6x31x0,4	X
6	48601850	Shim 6x30x0,4 spring shim	X
6	48601092	Shim 6x28x0,20	X
6	48601264	Shim 6x25x0,10	X
6	48600967	Shim 6x20x0,2 DELTA	X
6	48601847	Washer 6x25x1,5	X
6	48601707	Sinus shim plate 6X30	X
6	S64060000400000	Shim 6x14x0.3	X
6	S64060000500000	Shim 6x13x0.25	X
6	S64060000600000	Shim 6x17x0,2	X
6	40540421	Shim 6x8.5x0.15	X
6	48601262	Washer 6x18x1,5	X
6	S64060001500000	Shim 6x8x0,15	X
8	40540477	Shim 8x18x0,40	X
8	43570120	Shim 8x18x0,10	X
8	44916098	WASHER 8,4X16X0,8	X
8	44916130	WASHER 8,2X15X1	X
8	44916180	WASHER 8,2X11X1	X
8	48600214	Shim 8x16x0,10	X
8	48600385	SHIM 8x14x0.25	X
8	48600346	Shim 8x11x0,20	X
8	48600215	Shim 8x20x0,10	X
8	48600485	SHIM 8X10X0,10	X
8	48601402	SHIM 8X13X0,10	X
8	48600350	Shim 8x16x0,15	X
8	48600061	Shim 8x24x0,40	X
8	48600062	CHECK VALVE 8X24X0,1	X
8	48600216	Shim 8x22x0,10	X

080000190

4668

* NEW PART

X ON DEMAND



- 5 Ø 5 mm
- 6 Ø 6 mm
- 8 Ø 8 mm
- 10 Ø 10 mm
- 12 Ø 12 mm
- 14 Ø 14-14,5 mm
- 16 Ø 16 mm
- 20 Ø 20 mm
- 21 Ø 21 mm
- 22 Ø 22 mm
- 23 Ø 23 mm
- 24 Ø 24,5 mm
- 28 Ø 28,25-28,5 mm
- 32 Ø 32 mm
- 52 Ø 52 mm



POS	PARTNUMBER		PIECE
8	48600480	Shim 8x10x0,20	X
8	48600555	SHIM 8X16X0,20	X
8	48600213	SHIM 8X14X0,10	X
8	48600357	Shim 8x11x0,10	X
8	48600351	Shim 8x12x0,10	X
8	48600607	Shim 8x20x0,40	X
8	48601095	Shim 8x17x0,10	X
8	48600352	CHECK VALVE 8X11X0,4	X
8	48601860	Washer 8x11x0,15	X
8	48601266	Shim 8x26x0,40	X
8	46180640	Shim 8x16x0,3	X
8	43578166	Washer 8x20x1	X
8	48601113	Shim 8x15x0,1	X
8	48600218	Shim 8X11X0,40	X
8	48600964	Shim 8x20x0,15	X
8	89080008	Shim 8x30x0,10	X
8	48601859	Shim 8x10x0,15	X
8	48601863	Shim 8x14x0,15	X
8	89080001	Shim 8x18x0,15	X
8	89080002	Shim 8x22x0,15	X
8	89080003	Shim 8x24x0,15	X
8	89080005	Shim 8x26x0,15	X
8	89080007	Shim 8x28x0,15	X
8	89080009	Shim 8x30x0,15	X
8	48600386	Shim 8X12X0,25	X
8	48601862	Shim 8x13x0,15	X
8	89080004	Shim 8x26x0,10	X
8	89080006	Shim 8x28x0,10	X
8	S64080000000000	Shim 8x24x0,2	X
8	48601864	Shim 8x15x0,15	X
8	48600965	SHIM 8X20X0,2	X
8	S64080000300000	Shim 8x18x0,2	X
8	S64080000100000	Shim 8x12x0,2	X
8	S64080000900000	Shim 8x14x0,20	X
8	S64080000100000	Shim 8x12x0,2	X
8	S64080000400000	Shim 8x22x0,2	X
10	36120284	SHIM 10X16X0,10	X
10	36120298	SHIM 10X16X0,2	X

080000190

4668

* NEW PART

X ON DEMAND



5 Ø 5 mm

6 Ø 6 mm

8 Ø 8 mm

10 Ø 10 mm

12 Ø 12 mm

14 Ø 14-14,5 mm

16 Ø 16 mm

20 Ø 20 mm

21 Ø 21 mm

22 Ø 22 mm

23 Ø 23 mm

24 Ø 24,5 mm

28 Ø 28,25-28,5 mm

32 Ø 32 mm

52 Ø 52 mm



POS	PARTNUMBER		PIECE
10	36120312	SHIM 10X16X0,30	X
10	36120314	SHIM 10X18X0,30	X
10	36120325	SHIM 10X19X0,15	X
10	36120327	SHIM 10X23X0,15	X
10	36120328	SHIM 10X25X0,15	X
10	36120329	SHIM 10X27X0,15	X
10	36120330	SHIM 10X29X0,15	X
10	36120331	SHIM 10X31X0,15	X
10	36120332	SHIM 10X33X0,15	X
10	36120334	SHIM 10X21X0,20	X
10	36120335	SHIM 10X23X0,20	X
10	36120336	SHIM 10X25X0,20	X
10	36120337	SHIM 10X27X0,20	X
10	36120338	SHIM 10X29X0,20	X
10	36120339	SHIM 10X31X0,20	X
10	36120340	SHIM 10X33X0,20	X
10	36120342	SHIM 10X21X0,25	X
10	36120343	SHIM 10X23X0,25	X
10	36120344	SHIM 10X25X0,25	X
10	36120345	SHIM 10X27X0,25	X
10	36120349	SHIM 10X19X0,30	X
10	36120350	SHIM 10X21X0,30	X
10	36120313	SHIM 10X17X0,30	X
10	36120354	SHIM 10X29X0,30	X
10	40140275	WASHER 10X35X0,15	X
10	48601708	Shim 10x30x0,40	X
10	36120346	SHIM 10X29X0,25	X
10	36120355	SHIM 10X31X0,30	X
10	36120348	SHIM 10X33X0,25	X
10	36120311	SHIM 10X15X0,30	X
10	36120292	SHIM 10X17X0,15	X
10	36120326	SHIM 10X21X0,15	X
10	36120286	SHIM 10X18X0,10	X
10	36120347	SHIM 10X31X0,25	X
10	36120333	SHIM 10X19X0,20	X
10	36120351	SHIM 10X23X0,30	X
10	36120352	SHIM 10X25X0,30	X
10	36120353	SHIM 10X27X0,30	X

080000190

4668

* NEW PART

X ON DEMAND



- 5 Ø 5 mm
- 6 Ø 6 mm
- 8 Ø 8 mm
- 10 Ø 10 mm
- 12 Ø 12 mm
- 14 Ø 14-14,5 mm
- 16 Ø 16 mm
- 20 Ø 20 mm
- 21 Ø 21 mm
- 22 Ø 22 mm
- 23 Ø 23 mm
- 24 Ø 24,5 mm
- 28 Ø 28,25-28,5 mm
- 32 Ø 32 mm
- 52 Ø 52 mm



POS	PARTNUMBER		PIECE
10	36120356	SHIM 10X33X0,30	X
10	50180395	Washer 10x16x1	X
10	36120291	SHIM 10X16X0,15	X
10	36120308	Shim 10x13x0,30	X
10	36120604	Washer 10x22x2,5	X
10	36120299	SHIM 10X17X0,20	X
12	46810605	SHIM 12X21X0,10	X
12	46810490	SHIM 12X24X0,20	X
12	46810491	Shim 12x26x0,20	X
12	46810492	Shim 12x28x0,20	X
12	46810493	SHIM 12X30X0,20	X
12	46810494	Shim 12x32x0,20	X
12	46810495	Shim 12x34x0,20	X
12	46810496	SHIM 12X36X0,20	X
12	46810497	SHIM 12X38X0,20	X
12	46810498	Shim 12x40x0,20	X
12	46810499	Shim 12x24x0,25	X
12	46810500	SHIM 12X26X0,25	X
12	46810501	SHIM 12X28X0,25	X
12	46810502	Shim 12x30x0,25	X
12	46810504	SHIM 12X34X0,25	X
12	46810505	SHIM 12X36X0,25	X
12	46810507	Shim 12x40x0,25	X
12	46810508	SHIM 12X24X0,30	X
12	46810509	SHIM 12X26X0,30	X
12	46810510	SHIM 12X28X0,30	X
12	46810512	SHIM 12X32X0,30	X
12	46810513	SHIM 12X34X0,30	X
12	46810518	SHIM 12X26X0,15	X
12	46810519	SHIM 12X28X0,15	X
12	46810520	SHIM 12X30X0,15	X
12	46810521	SHIM 12X32X0,15	X
12	46810522	SHIM 12X34X0,15	X
12	46810523	SHIM 12X36X0,15	X
12	46810524	SHIM 12X38X0,15	X
12	46810525	SHIM 12X40X0,15	X
12	46810604	SHIM 12X20X0,10	X
12	46810606	SHIM 12X22X0,10	X

080000190

4668

* NEW PART

X ON DEMAND



- 5 Ø 5 mm
- 6 Ø 6 mm
- 8 Ø 8 mm
- 10 Ø 10 mm
- 12 Ø 12 mm
- 14 Ø 14-14,5 mm
- 16 Ø 16 mm
- 20 Ø 20 mm
- 21 Ø 21 mm
- 22 Ø 22 mm
- 23 Ø 23 mm
- 24 Ø 24,5 mm
- 28 Ø 28,25-28,5 mm
- 32 Ø 32 mm
- 52 Ø 52 mm



POS	PARTNUMBER		PIECE
12	46810607	SHIM 12X23X0,10	X
12	46810608	SHIM 12X24X0,10	X
12	46810610	Shim 12x17x0,15	X
12	46810611	SHIM 12X18X0,15	X
12	46810612	SHIM 12X19X0,15	X
12	46810615	SHIM 12X22X0,15	X
12	46810636	BACKPLATE 12X16X0,30	X
12	46810637	Shim 12x17x0,30	X
12	46810638	Shim 12x18x0,30	X
12	46810639	SHIM 12X19X0,30	X
12	46810641	Shim 12X21X0,30	X
12	46811582	Shim 12x30x0,10	X
12	46810631	SHIM 12X20X0,25	X
12	46810633	SHIM 12X22X0,25	X
12	46811580	Shim 12x32x0,10	X
12	46810503	SHIM 12X32X0,25	X
12	46810517	SHIM 12X24X0,15	X
12	46810856	Shim 12x20x0,30	X
12	46811258	Washer 12x24x2,5	X
12	46812018	Shim 12x42x0,25	X
12	46812015	Shim 12x44x0,20	X
12	46810613	SHIM 12X20X0,15	X
12	46810623	SHIM 12X21X0,20	X
12	46810624	SHIM 12X22X0,20	X
12	46810642	SHIM 12X22X0,30	X
12	46810643	SHIM 12X23X0,30	X
12	46811629	Shim 12x28x0,10	X
12	46810511	SHIM 12X30X0,30	X
12	46810514	SHIM 12X36X0,30	X
12	46810506	SHIM 12X38X0,25	X
12	46810515	SHIM 12X38X0,30	X
12	46812017	Shim 12x42x0,20	X
12	46812016	Shim 12x44x0,25	X
12	46810622	SHIM 12X20X0,20	X
12	46811635	Shim 12x26x0,10	X
12	50181296	Shim 12x45x0,20	X
12	46810620	Shim 12x18x0,2	X
12	46810616	Shim 12x23x0,15	X

080000190

4668

* NEW PART

X ON DEMAND



5 Ø 5 mm

6 Ø 6 mm

8 Ø 8 mm

10 Ø 10 mm

12 Ø 12 mm

14 Ø 14-14,5 mm

16 Ø 16 mm

20 Ø 20 mm

21 Ø 21 mm

22 Ø 22 mm

23 Ø 23 mm

24 Ø 24,5 mm

28 Ø 28,25-28,5 mm

32 Ø 32 mm

52 Ø 52 mm



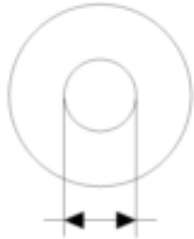
POS	PARTNUMBER		PIECE
12	46810625	SHIM 12X23X0,20	X
12	50181297	Adjustment 12x45x0,25	X
12	46810603	SHIM 12X19X0,10	X
12	46180712	SHIM 12X36X0,10	X
12	46810614	SHIM 12X21X0,15	X
12	46810628	SHIM 12X17X0,25	X
12	46810634	SHIM 12X23X0,25	X
12	S64120000000000	Shim 12x25x0,15	X
12	46810516	SHIM 12X40X0,30	X
12	S64120000800000	Shim 12x34x0,1	X
12	46810627	SHIM 12X16X0,25	X
12	46810632	SHIM 12X21X0,25	X
12	46810602	SHIM 12X18X0,10	X
14	35480479	Shim 14x26x0,40	X
14	46811046	Washer 14,5x35,4x1,25	X
16	50180023	SHIM 16X23X0,20	X
16	50180030	Shim 16x23x0,25	X
16	50180006	Shim 16x20x0,10	X
16	50180007	SHIM 16X21X0,10	X
16	50180028	SHIM 16X21X0,25	X
16	50180210	Washer 16x21x1	X
16	50180008	SHIM 16X22X0,10	X
16	50180022	Shim 16x22x0,20	X
16	50180037	SHIM 16X23X0,30	X
16	50180038	SHIM 16X24X0,30	X
16	50180032	Shim 16x25x0,25	X
16	50180039	SHIM 16X25X0,30	X
16	50180012	SHIM 16X26X0,10	X
16	50180019	SHIM 16X26X0,15	X
16	50180026	SHIM 16X26X0,20	X
16	50180040	SHIM 16X26X0,30	X
16	50180041	SHIM 16X28X0,10	X
16	50180045	Shim 16x28x0,15	X
16	50180054	Shim 16x28x0,2	X
16	50180063	SHIM 16X28X0,25	X
16	50180072	SHIM 16X28X0,30	X
16	50180046	SHIM 16X30X0,15	X
16	50180055	SHIM 16X30X0,20	X

080000190

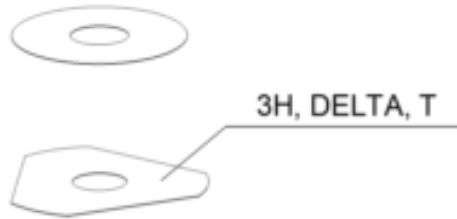
4668

* NEW PART

X ON DEMAND



- ⑤ Ø 5 mm
- ⑥ Ø 6 mm
- ⑧ Ø 8 mm
- ⑩ Ø 10 mm
- ⑫ Ø 12 mm
- ⑭ Ø 14-14,5 mm
- ⑯ Ø 16 mm
- ⑳ Ø 20 mm
- ㉑ Ø 21 mm
- ㉒ Ø 22 mm
- ㉓ Ø 23 mm
- ㉔ Ø 24,5 mm
- ㉘ Ø 28,25-28,5 mm
- ㉚ Ø 32 mm
- ㉜ Ø 52 mm



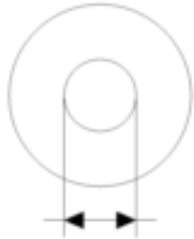
POS	PARTNUMBER		PIECE
16	50180064	Shim 16x30x0,25	X
16	50180073	SHIM 16X30X0,30	X
16	50180047	Shim 16X32X0,15	X
16	50180056	Shim 16x32x0,2	X
16	50180065	SHIM 16X32X0,25	X
16	50180074	SHIM 16X32X0,30	X
16	50180044	SHIM 16X34X0,10	X
16	50180048	SHIM 16X34X0,15	X
16	50180057	Shim 16x34x0,2 y5	X
16	50180066	SHIM 16X34X0,25	X
16	50180075	SHIM 16X34X0,30	X
16	50180049	Shim 16x36x0,15	X
16	50180058	Shim 16x36x0,20	X
16	50180067	SHIM 16X36X0,25	X
16	50180076	SHIM 16X36X0,30	X
16	50180050	SHIM 16X38X0,15	X
16	50180059	SHIM 16X38X0,20	X
16	50180068	SHIM 16X38X0,25	X
16	50180077	SHIM 16X38X0,30	X
16	50180051	Shim 16x40x0,15	X
16	50180060	Shim 16x40x0,2	X
16	50180069	SHIM 16X40X0,25	X
16	50180078	SHIM 16X40X0,30	X
16	50180052	SHIM 16X42X0,15	X
16	50180061	Shim 16x42x0,2	X
16	50180070	SHIM 16X42X0,25	X
16	50180079	SHIM 16X42X0,30	X
16	50180053	SHIM 16X44X0,15	X
16	50180062	Shim 16X44X0,20	X
16	50180071	SHIM 16X44X0,25	X
16	50180080	SHIM 16X44X0,30	X
16	50180177	Springwasher 8,2x16x0,6	X
16	50180033	Shim 16x26x0,25	X
16	50180034	Shim 16x20x0,30	X
16	50180035	Shim 16x21x0,30	X
16	50180036	Shim 16x22x0,30	X
16	50180043	SHIM 16X32X0,10	X
16	50180024	Shim 16x24x0,20	X

080000190

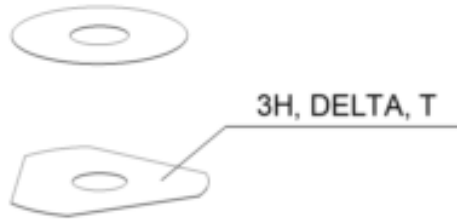
4668

* NEW PART

X ON DEMAND



- ⑤ Ø 5 mm
- ⑥ Ø 6 mm
- ⑧ Ø 8 mm
- ⑩ Ø 10 mm
- ⑫ Ø 12 mm
- ⑭ Ø 14-14,5 mm
- ⑯ Ø 16 mm
- ⑳ Ø 20 mm
- ㉑ Ø 21 mm
- ㉒ Ø 22 mm
- ㉓ Ø 23 mm
- ㉔ Ø 24,5 mm
- ㉘ Ø 28,25-28,5 mm
- ㉚ Ø 32 mm
- ㉜ Ø 52 mm



POS	PARTNUMBER		PIECE
16	50180027	SHIM 16X20X0,25	X
16	50180031	Shim 16x24x0,25	X
16	50180029	SHIM	X
16	50180010	SHIM 16X24X0,10	X
16	50180021	SHIM 16X21X0,20	X
16	50180025	SHIM 16X25X0,20	X
16	50180383	Washer 16x19x0,3	X
16	50180014	SHIM	X
16	50180013	SHIM 16X20X0,15	X
16	50180015	DISTANCER PLATE 16X22X0,15	X
16	50180017	Shim 16x24x0,15	X
16	50180009	DISTANCER PLATE 16X23X0,10	X
16	50180016	SHIM 16X23X0,15	X
16	50180020	SHIM 16X20X0,20	X
20	48600212	PRESSURE-RING 20X16,25X0,20	X
20	50180666	SHIM 20X24X0,30	X
20	50180654	SHIM 20X36X0,20	X
20	50180655	SHIM 20X38X0,20	X
20	50180656	SHIM 20X40X0,20	X
20	50180665	SHIM 20X40X0,25	X
20	50180662	SHIM 20X34X0,25	X
20	50180657	SHIM 20X24X0,25	X
20	50180653	SHIM 20X34X0,20	X
20	50180634	RING 20X22,9X1	X
20	50180650	SHIM 20,2X28X0,20	X
20	50180663	SHIM 20X36X0,25	X
20	50180664	SHIM 20X38X0,25	X
20	50180659	SHIM 20,2X28X0,25	X
21	50180209	Shim 21x36x0,25	X
22	50180330	Shim 18x22x0,3	X
23	50180635	SHUTTLE VALVE 23X38X0,25	X
23	50180578	SHIM D23XD16X2	X
24	40541061	WASHER 24,5X34X2	X
28	36120469	SHIM 28,5X14X2	X
28	36120471	SHIM 28,5X14X5	X
28	89000001	Shim 28,25x34x0,30	X
28	46811636	Shim 28,25x32x0,30	X
32	48600460	WASHER 32X42X2,5	X

080000190

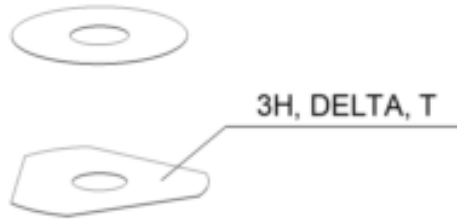
4668

* NEW PART

X ON DEMAND



- ⑤ Ø 5 mm
- ⑥ Ø 6 mm
- ⑧ Ø 8 mm
- ⑩ Ø 10 mm
- ⑫ Ø 12 mm
- ⑭ Ø 14-14,5 mm
- ⑮ Ø 16 mm
- ⑳ Ø 20 mm
- ㉑ Ø 21 mm
- ㉒ Ø 22 mm
- ㉓ Ø 23 mm
- ㉔ Ø 24,5 mm
- ㉘ Ø 28,25-28,5 mm
- ㉚ Ø 32 mm
- ㉜ Ø 52 mm



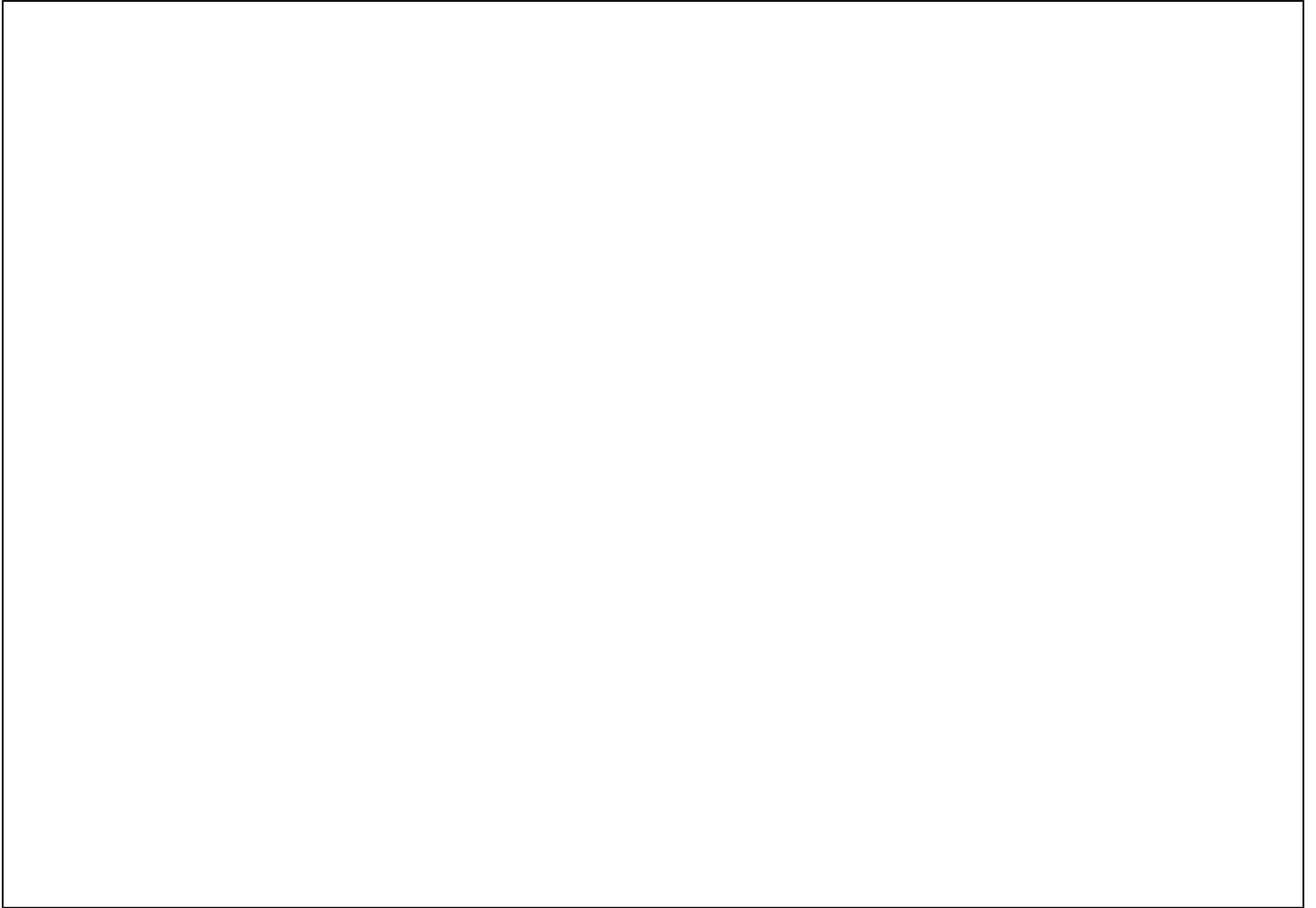
POS	PARTNUMBER		PIECE
32	50600065	SHIM 32X45X2	x
32	46811637	Shim 32,25x36x0,30	x
52	50600002	Washer 52x59x2,2	x

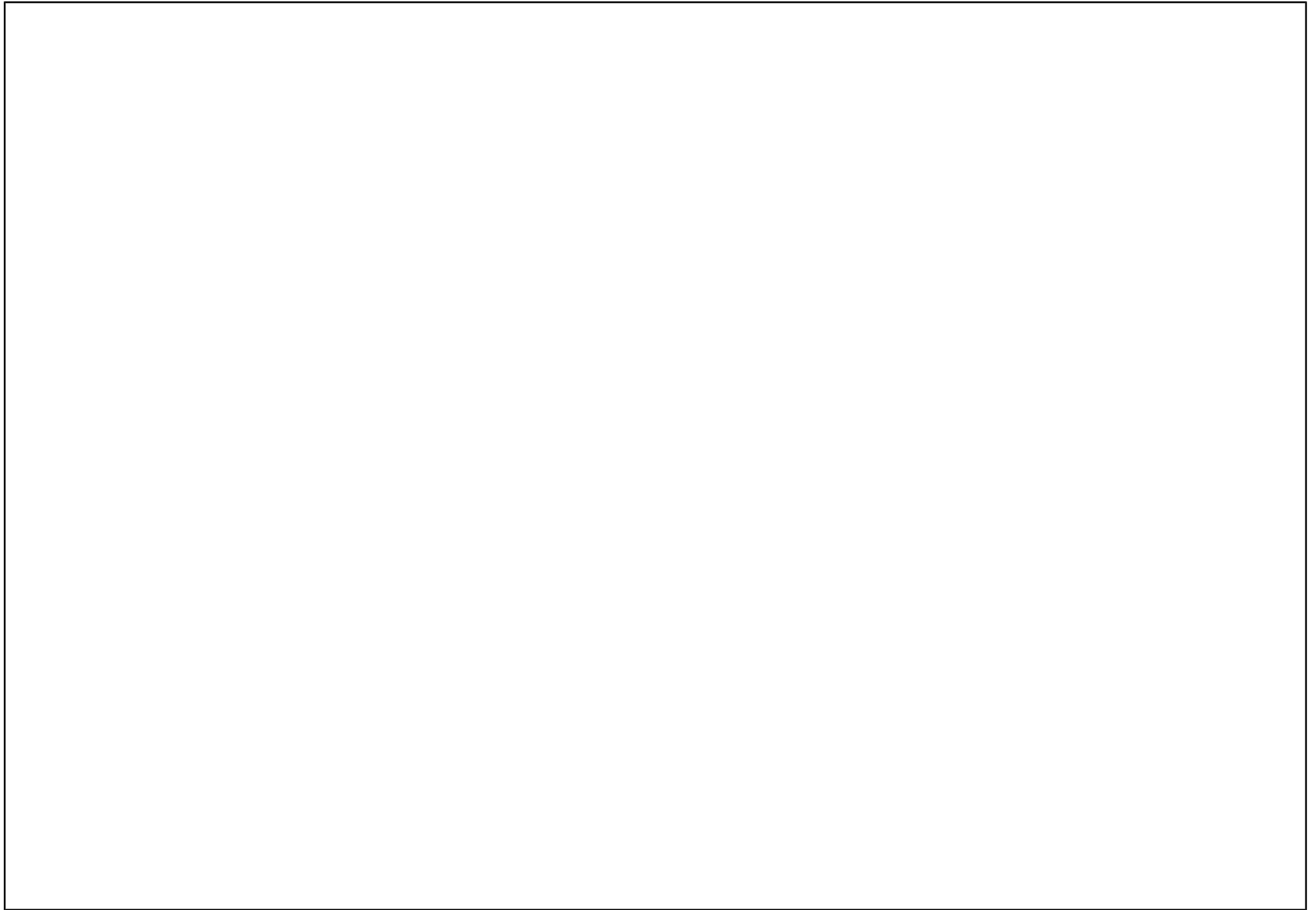
080000190

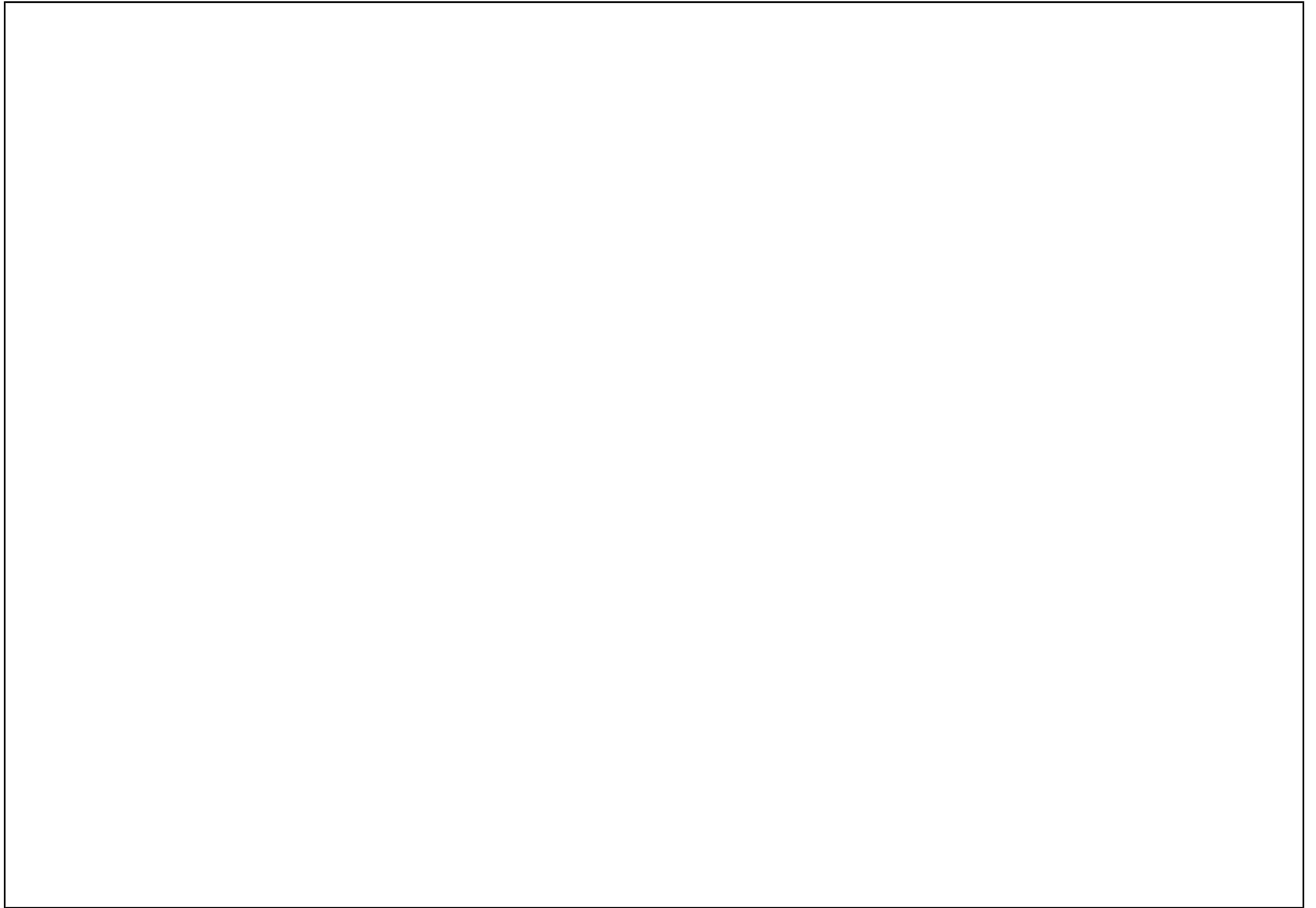
4668

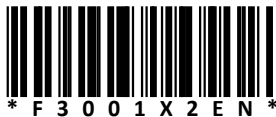
* NEW PART

X ON DEMAND









02/2023

ART.-NR.F3001X2



Stallhofnerstraße 3 / 5230 Mattighofen / Austria / www.gasgas.com