



MC 85 17/14 2024

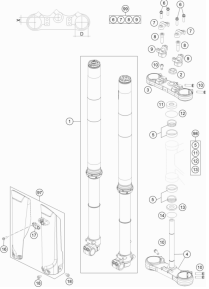
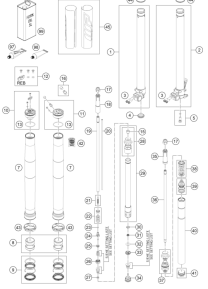
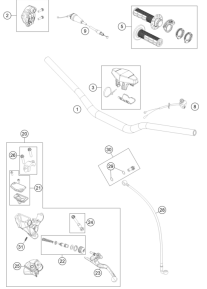
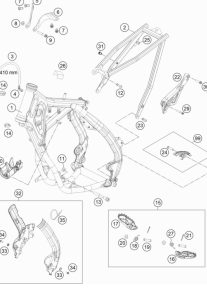
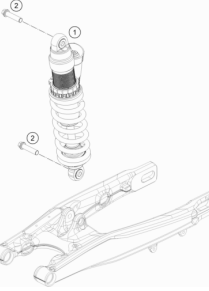
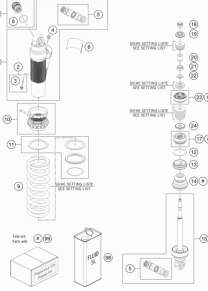
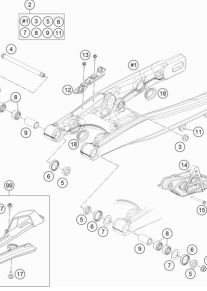
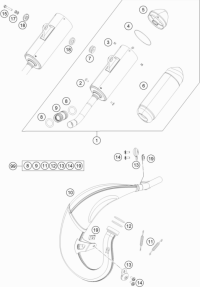
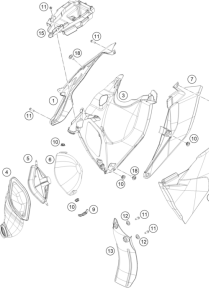
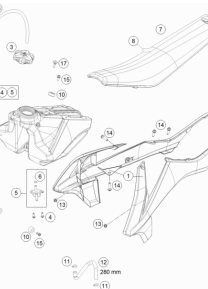
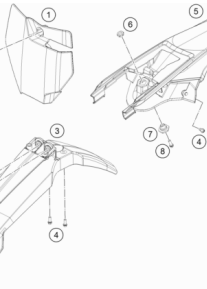

CHASSIS / ART.-NR.F0001X8 / 1994
SPAREPARTSCATALOG

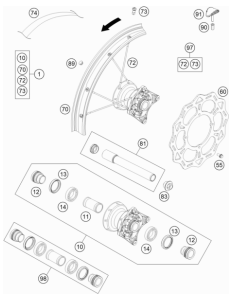
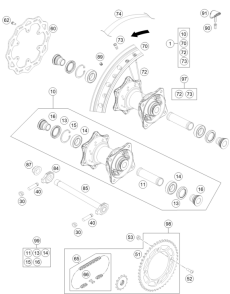

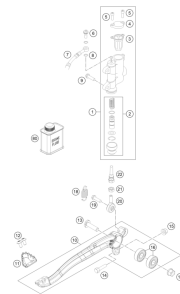
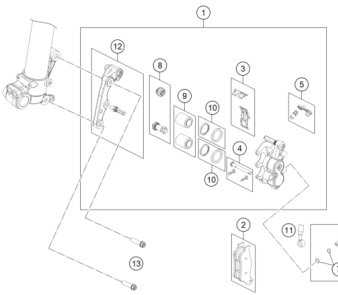
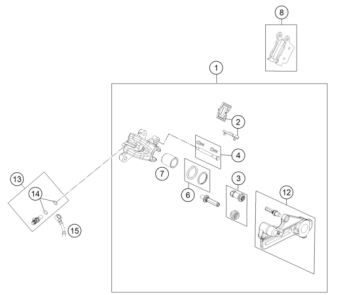
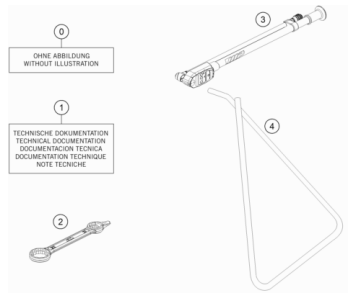

GASGAS



All information contained is without obligation. KTM Sportmotorcycle GmbH particularly reserves the right to modify any equipment, technical specifications, prices, colors, shapes, materials, services, service work, constructions, equipment and the like so as to adapt them to local conditions or to cancel any of the above items, all without previous announcement and without giving reasons. KTM may stop manufacturing certain models without previous notice. KTM shall not be held liable for any deviations of availability and/or ability to deliver, illustrations, descriptions, printing and/or other errors. The illustrated models partly contain extra equipment, which is not applied to standard models.

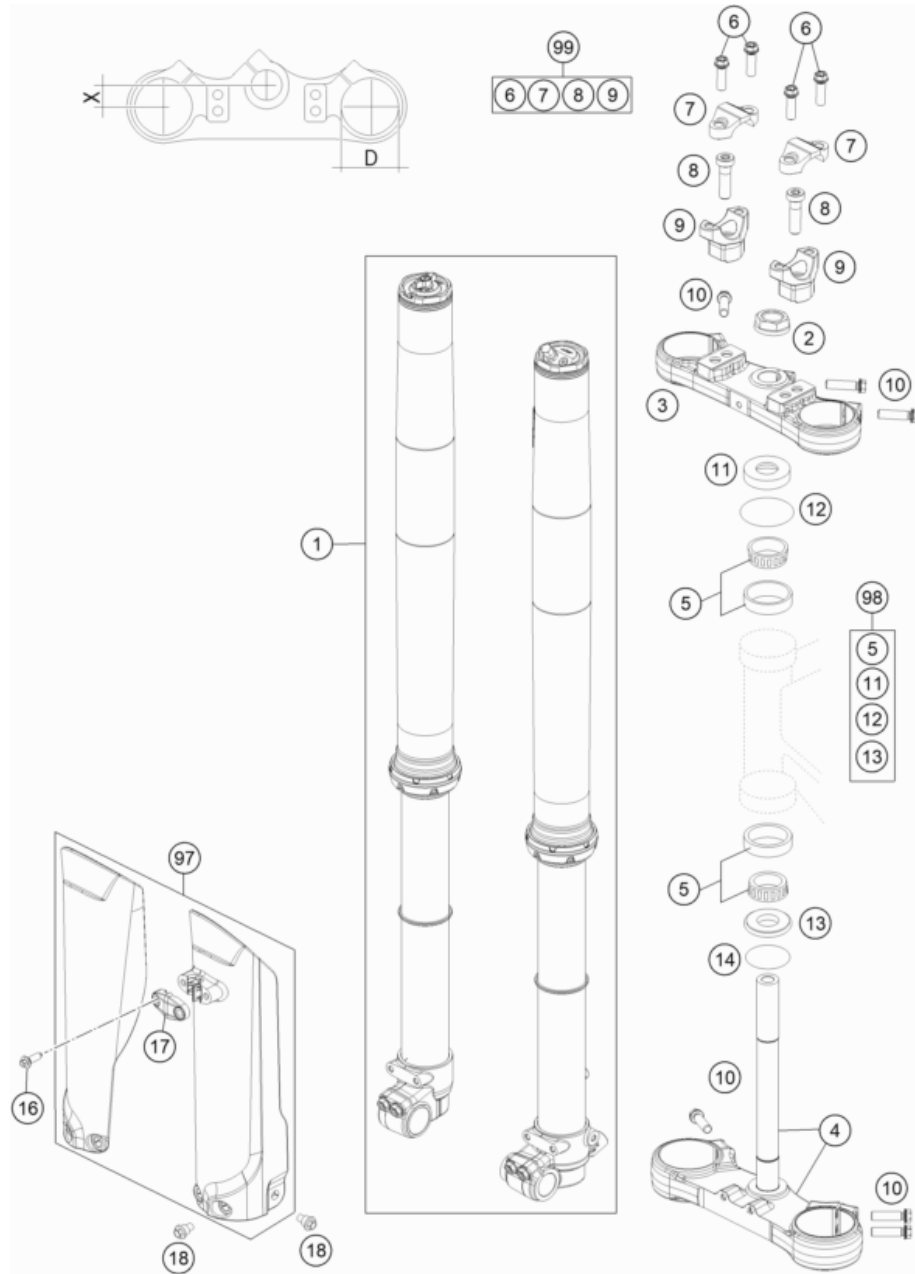
© by KTM Sportmotorcycle GmbH, Mattighofen AUSTRIA; All rights reserved; Reprint, also in extracts, with written allowance of KTM Sportmotorcycle GmbH, Mattighofen only.

<p>FRONT FORK, TRIPLE CLAMP</p>  <p style="text-align: right;">3</p>	<p>FRONT FORK DISASSEMBLED</p>  <p style="text-align: right;">4</p>	<p>HANDLEBAR, CONTROLS</p>  <p style="text-align: right;">6</p>	<p>FRAME</p>  <p style="text-align: right;">7</p>
<p>SHOCK ABSORBER</p>  <p style="text-align: right;">8</p>	<p>SHOCK ABSORBER DISASSEMBLED</p>  <p style="text-align: right;">9</p>	<p>SWING ARM</p>  <p style="text-align: right;">10</p>	<p>EXHAUST SYSTEM</p>  <p style="text-align: right;">11</p>
<p>AIR FILTER</p>  <p style="text-align: right;">12</p>	<p>TANK, SEAT</p>  <p style="text-align: right;">13</p>	<p>MASK, FENDERS</p>  <p style="text-align: right;">14</p>	<p>DECAL</p>  <p style="text-align: right;">15</p>

<p>FRONT WHEEL</p>  <p style="text-align: right;">16</p>	<p>REAR WHEEL</p>  <p style="text-align: right;">17</p>	<p>FRONT BRAKE CONTROL</p>  <p style="text-align: right;">18</p>	<p>REAR BRAKE CONTROL</p>  <p style="text-align: right;">19</p>
<p>FRONT BRAKE CALIPER</p>  <p style="text-align: right;">20</p>	<p>REAR BRAKE CALIPER</p>  <p style="text-align: right;">21</p>	<p>SEPERATE ENCLOSURE</p>  <p style="text-align: right;">22</p>	<p>WP SHIMS FOR SETTING</p>  <ul style="list-style-type: none"> ⑤ Ø 5 mm ⑥ Ø 6 mm ⑦ Ø 8 mm ⑧ Ø 10 mm ⑨ Ø 12 mm ⑭ Ø 14-14,5 mm ⑮ Ø 16 mm ⑯ Ø 20 mm ⑰ Ø 21 mm ⑱ Ø 22 mm ⑲ Ø 23 mm ⑳ Ø 24,5 mm ㉑ Ø 26,25-26,5 mm ㉒ Ø 32 mm ㉓ Ø 32 mm <p style="text-align: right;">23</p>
Empty cell	Empty cell	Empty cell	Empty cell

FRONT FORK, TRIPLE CLAMP

MC 85 17/14 2024 1994



POS	PARTNUMBER		PIECE
1	43188U0401	Fork 85 SX/TC 2021	1
2	59030029000	HH NUT M20X1,5 WS=27 RIGHT	1
3	47101034214	upper triple clamp	1
4	47101032214	Compl. lower triple clamp	1
5	49001081000	TAPERED ROLLER BEARING 32004X	2
6	0025080256	HH collar screw M8x25	4
7	77201038000	HANDLEBAR CLAMP 28MM	2
8	0032100356S	AH-COLLAR SCREW M10X35 ISA45	2
9	59401039037	HANDLEB.SUPP. D=28MM H=37MM 05	2
10	0025080306	HH collar screw M8x30	7
11	49001086000	COVERING CAP	1
12	0770021300	O-RING 40,94X2,62 NBR70	1
13	46001086000	PROTECTION RING 20,1X39X5	1
14	0770360030	O-RING 36,00X3,00 NBR	1
16	0017060206	SCREW F. PLASTIC K60X20AL SW6	2
17	77701085100FB	Clamp for brake hose	1
18	59001092050	SPECIAL SCREW M6X12,5 WS=8	6
97	47201094000FB	Fork protectionkit MC 85 2021	1
98	00050000931	STEARING HEAD REP. KIT MINI	x
99	00050000921	HANDLEBAR SUPPORT KIT D28/H37	x

204720110

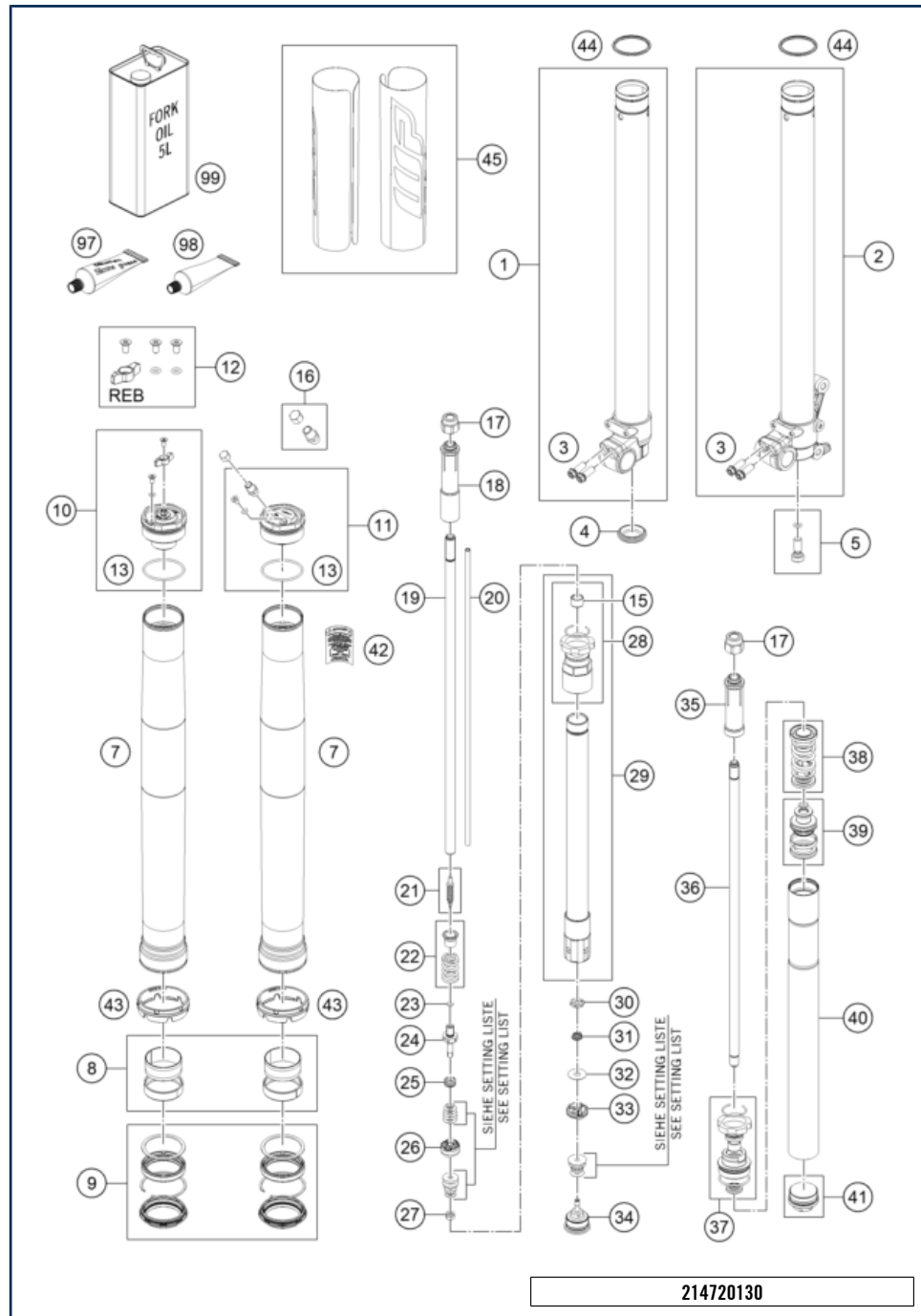
55369

* NEW PART

X ON DEMAND

FRONT FORK DISASSEMBLED

MC 85 17/14 2024 1994



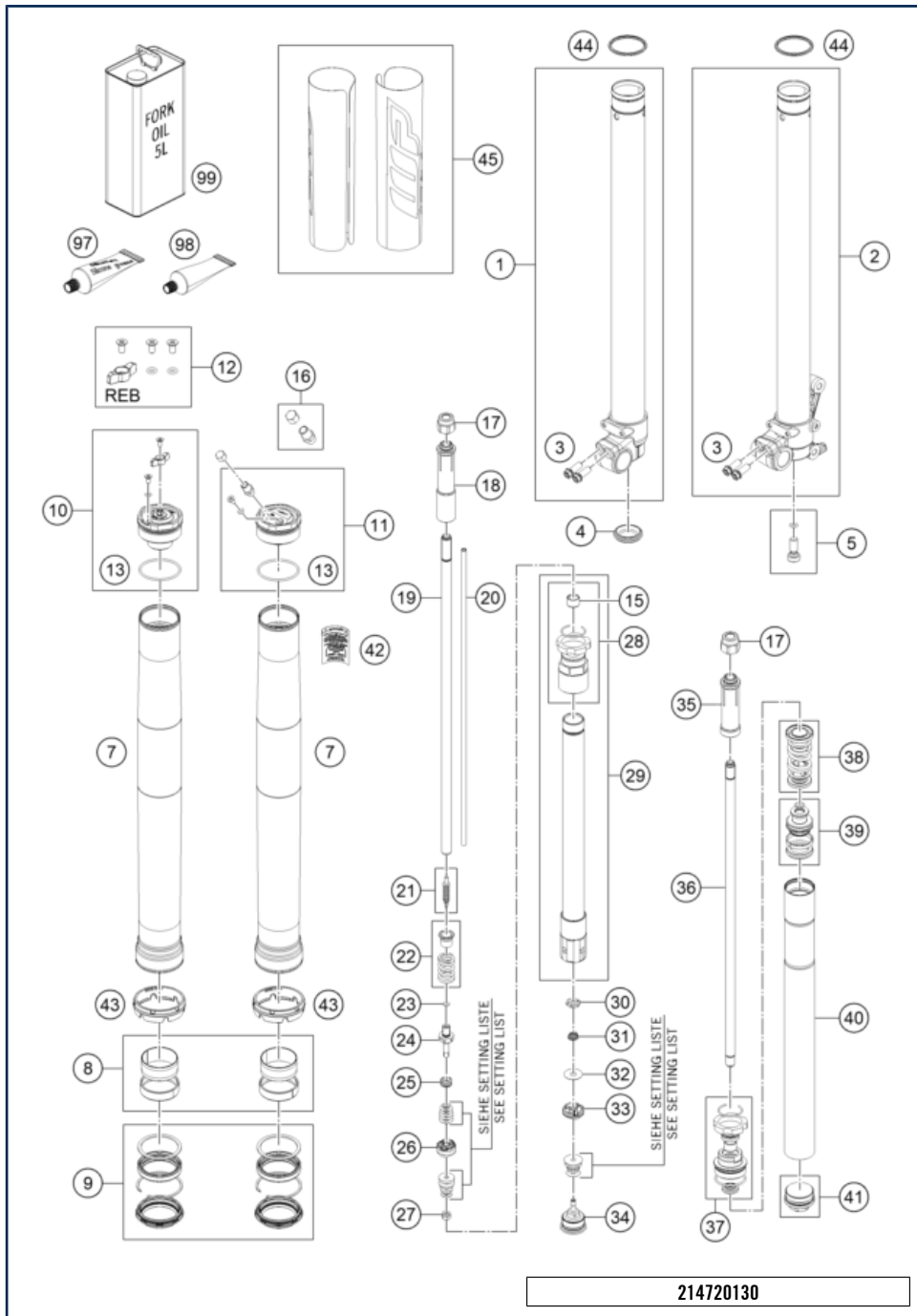
POS	PARTNUMBER		PIECE
1	43570818S1	Axle clamp right + tube 85SX cpl.	1
2	43570968S1	Axle clamp left + tube cpl.	1
3	0025080206	HH collar screw M8x20	4
4	48600141	Rubber cap 35x10 NBR80	1
5	S218700000S0000	HS screw M10x23 cpl.	1
7	43570982	Fork outer tube 44.13x510 dt49 db53	2
8	R14042	GUIDE BUSHING SET	1
9	R513	GASKET SET	1
10	43570928S	Screw cap M46x1,5 cpl.	1
11	43570927S	screw cap M46x1,5 Luft cpl.	1
12	RP10021	Adjuster kit screw cap	1
13	43570023	O-ring 41x2 NBR70 siliconized yellow	2
15	48600430	Guide bushing 12x14x10	1
16	48601494S	VALVE M8X1 INCL. SCREW CAP	1
17	43570859	Lock nut M12x1 h20 WAF22	2
18	43570856	Stop 12,2x25x115	1
19	48601811	Piston rod 12x477,5	1
20	43570929	adjustment tube 6x445,1	1
21	48600277S	Needle 4,5x43,6 cpl.	1
22	48600578S	Spring (13,9) 37-32 rebound cpl.	1
23	48600299	O-ring 6x1,2 NBR70	1
24	48600576	Tap 6x46 rebound	1
25	35480377	Spring (11,7) 1,5-8 valve	1
26	48602002S	Midvalve piston assembly d23	1
27	40540486	Nut M6x0,5 h6,5 WAF10 rebound	1
28	43570936S	Screwsleeve M27x0,8 cpl.	1
29	48600870S7	Cartridge tube cpl.	1
30	48600163	Nut valve M6x0,5 h6,5 WAF17	1
31	48600202	Spring (8,5) 16,5 valve	1
32	48600061	Shim 8x24x0,40	1
33	48601934S	Piston 6x27,3x9 compression cpl.	1
34	48600586S	Tap compression cpl.	1
35	43570819	Stop 12,2x25x78,5	1
36	48601501	Piston rod 12x470	1
37	48601452S2	Screw sleeve M35,5x0,8	1
38	48601820S1	Spring (22) 60-30 rebound cpl.	1
39	43570844S	Piston 5x34x31,5 mainpiston Freude cpl.	1
40	48601571S2	Tube incl. mounting 410mm air	1

214720130

54199

* NEW PART

X ON DEMAND

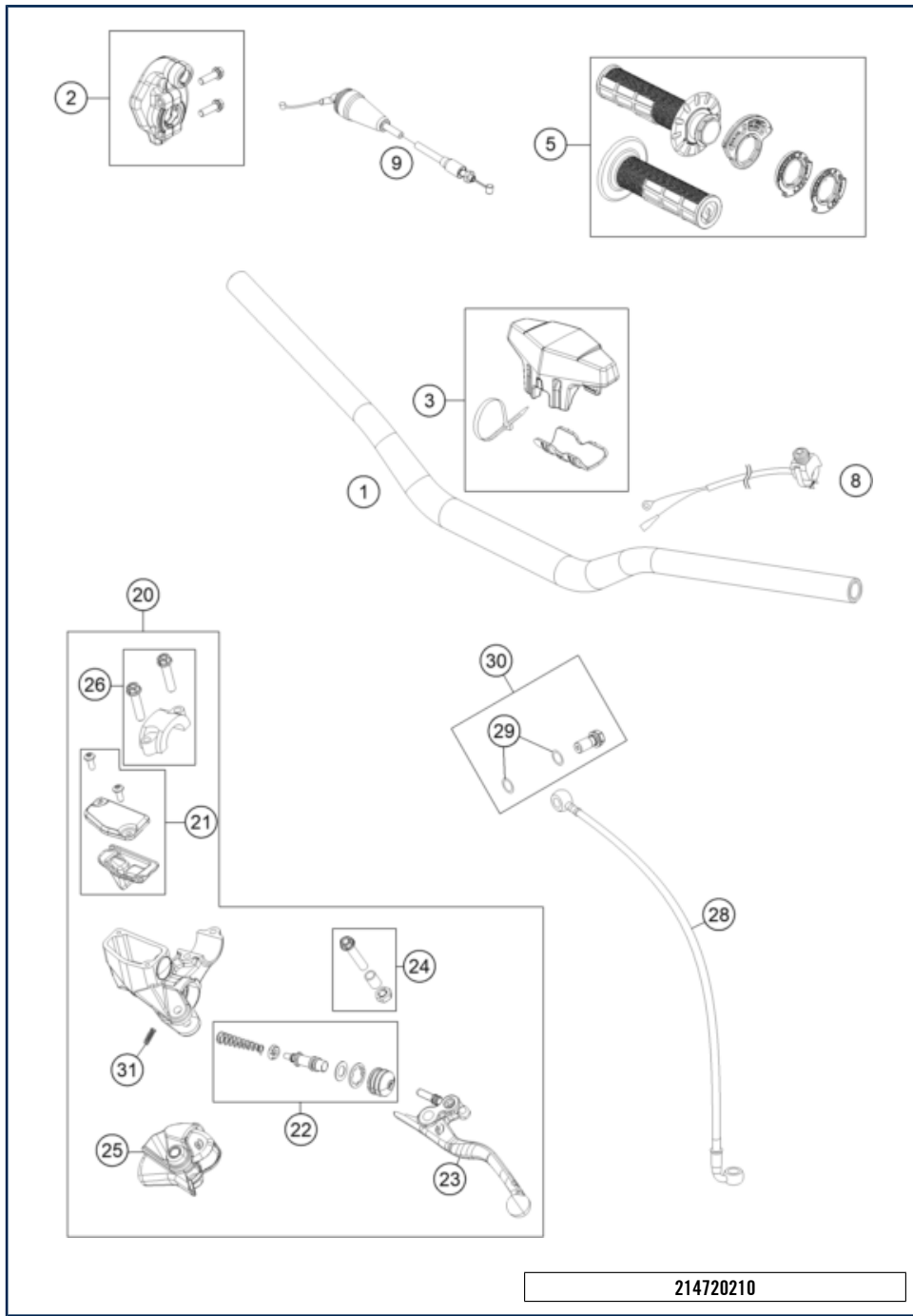


POS	PARTNUMBER		PIECE
41	43570845S	Adapter M10xM35,5x0,8x25 cpl.	1
42	52000315	Sticker warning 60x40	1
43	43570915	Fork protection ring 55,1mm	2
44	43570926	Stroke indicator d43 red	2
45	52000229SET	Sticker XAXT AER OC 161x214	1
97	T14034	Fuchs grease IPR (250g)	1
98	00062010053	special grease AER Fork 400g	1
99	48601166S1	Fork Fluid Viscosity 4.0 5L	1

214720130

54199

* NEW PART X ON DEMAND



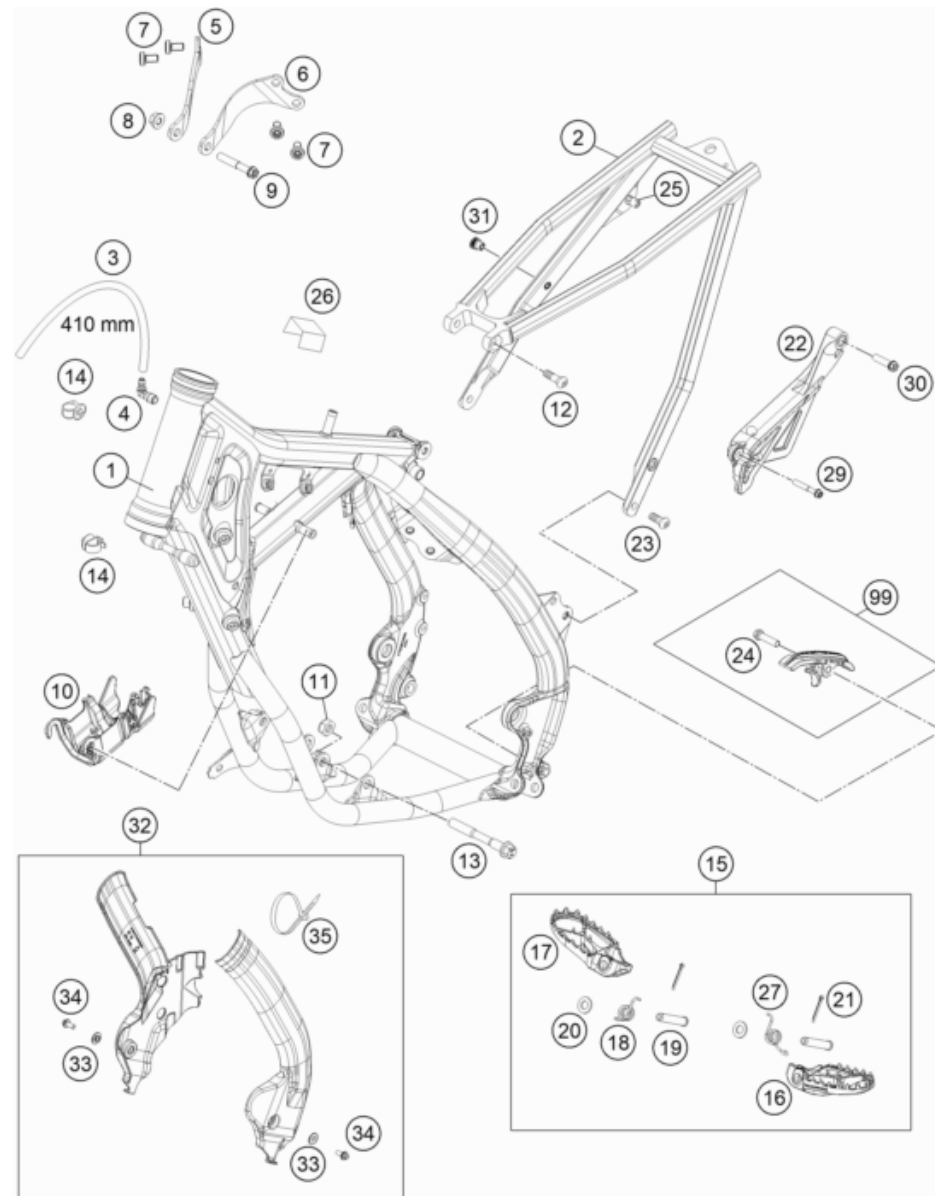
POS	PARTNUMBER		PIECE
1	47102001000	HANDLEBAR 85SX 2013	1
2	51702010044	Housing throttle twist grip cpl.	1
3	47202002044	Handlebar pad cmpl.	1
5	79002021100	GRIP SET	1
8	50311089200	SHORT CIRCUIT BUTTON 02	1
9	47202191000	Throttle cable, cmpl. 85SX/TC	1
20	47202030044	Complete master cylinder	1
21	47202003000	Reservoir Kit	1
22	72002032000	REP. KIT PISTON 10MM	1
23	47202031000	Lever Kit	1
24	70002038000	LEVER SCREW CPL.	1
25	72002037000	MUDCOVER CLUTCH LEVER	1
26	47213005000	Clamp Kit	1
28	47232063000	85cc. clutch hose	1
29	0770080019	O-RING 8,00X1,00 FORMULA	2
30	47213025000	Hose screws kit	1
31	72002035000	SPRING FOR CLUTCH LEVER	1

214720210

55370

* NEW PART

X ON DEMAND



POS	PARTNUMBER		PIECE
1	47203001200FB	Frame 472T3	1
2	47203002000	Subframe	1
3	50335030001	PVC-HOSE 6X9	1
4	51030022000	ANGLE PIECE 90 DEGREE M10X1	1
5	47203014000	MOTORSTREBE RECHTS	1
6	47203013000	Motorbracket left	1
7	0035080156S	AH-COLLAR SCREW M8X15 TORX45	4
8	54310086200	SELF LOCKING NUT M8 10.9	1
9	0025080506	HH collar screw M8x50 TX40	1
10	47211095000	Cable compartment	1
11	54310086100	SELF LOCKING NUT M10 CU WS=14	2
12	0019080206S	FLAT HEAD SCREW M. ISA45 M8X20	2
13	47003013000	ENGINE BRACKET SCREW 85 SX	2
14	57013072100	WIRING HOLDER 16MM	2
15	79003040033	FOOT PEGS SET CPL. 2016	1
16	79003040000	FOOTREST L/S 2016	1
17	79003041000	FOOTREST R/S 2016	1
18	79003044000	FOOTREST SPRING R/S 2016	1
19	54803044000	PIN FOR FOOT PED 51.5X9.8 MM	2
20	0125100003	washer DIN 125 A 10.5	2
21	0094032253	PIN DIN0094-3,2X25 STEEL	2
22	47203096000	Sprocket cover 85	1
23	79003003000	SPECIAL SCREW M8X18 TORX45 SS	2
24	0025080306	HH collar screw M8x30	1
25	77303139000	BLIND RIVET NUT EM6-60LF/HX	2
26	50307012000	ADH. FOIL TRANSP. 80X80 MM 04	1
27	79003045000	FOOTREST SPRING L/S 2016	1
29	0025060406	HH collar screw M6x40 TX30	1
30	0025080256	HH collar screw M8x25	1
31	79003002080	BLIND RIVET NUT M6 KNURLED	2
32	47203094000FB	Frame protection set	1
33	54803092060	BUSH F. FRAME PROTECTION 03	2
34	0014050123	HH COLLAR SCREW M 5X12 WS=6	2
35	44011076305	CABLE TIE 300/4,8MM BLACK	3
99	79003053010	CHAIN SLIDING KIT BELOW CPL.16	1

204720310

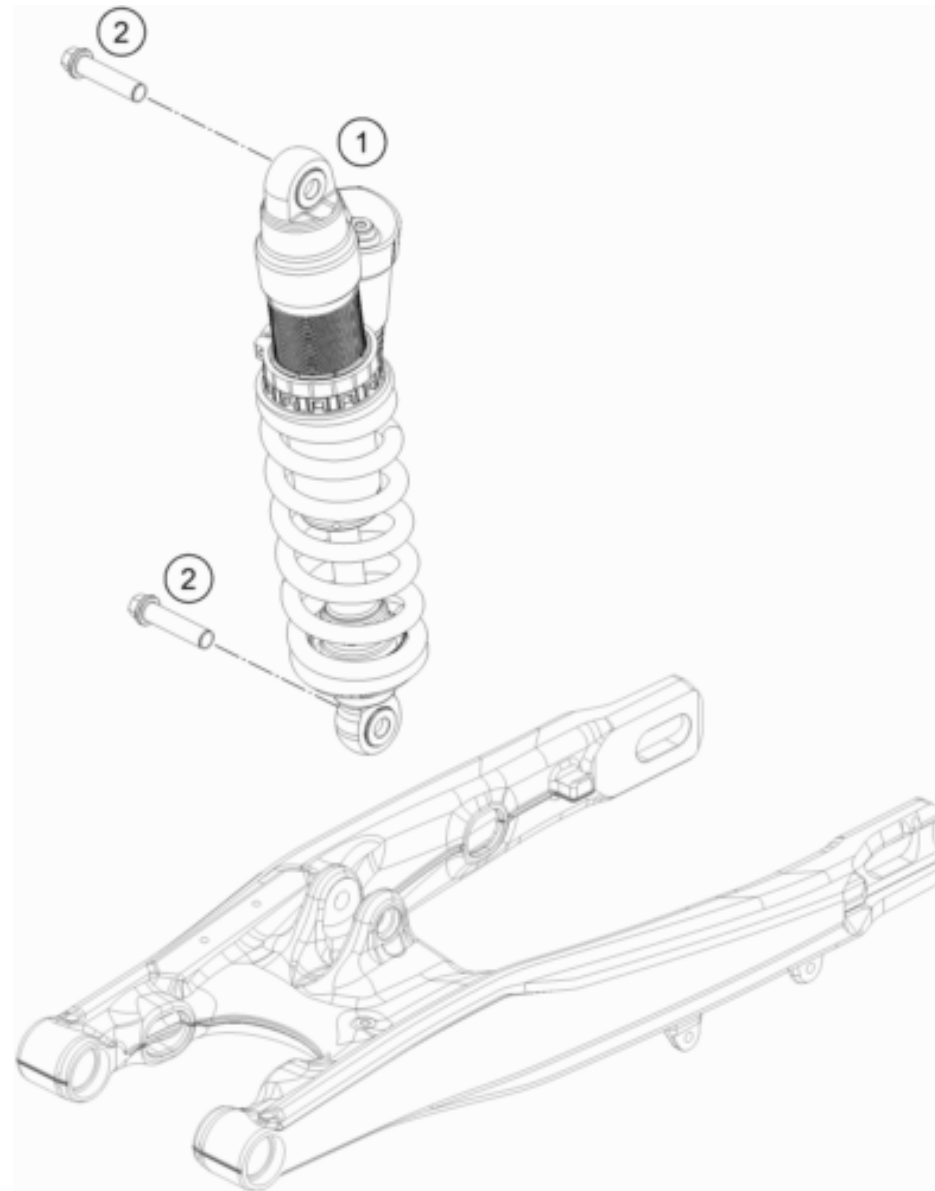
55371

* NEW PART

X ON DEMAND

SHOCK ABSORBER

MC 85 17/14 2024 1994



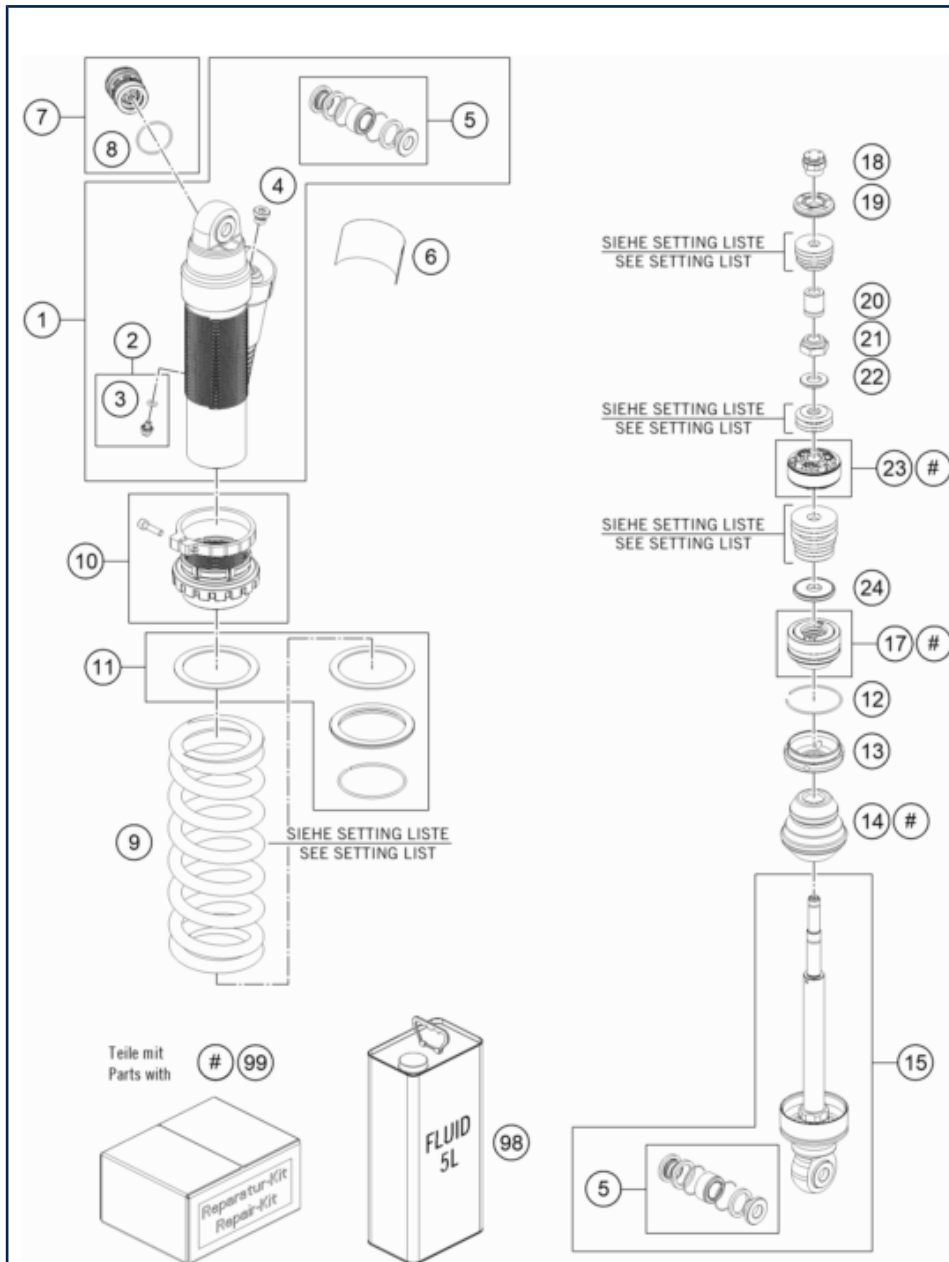
POS	PARTNUMBER		PIECE
1	12187U0401	Shock 85 SX/TC 21	1
2	0025120506S	HH COLLAR SCREW M12X50 TX45	2

184720410

54465

* NEW PART

X ON DEMAND



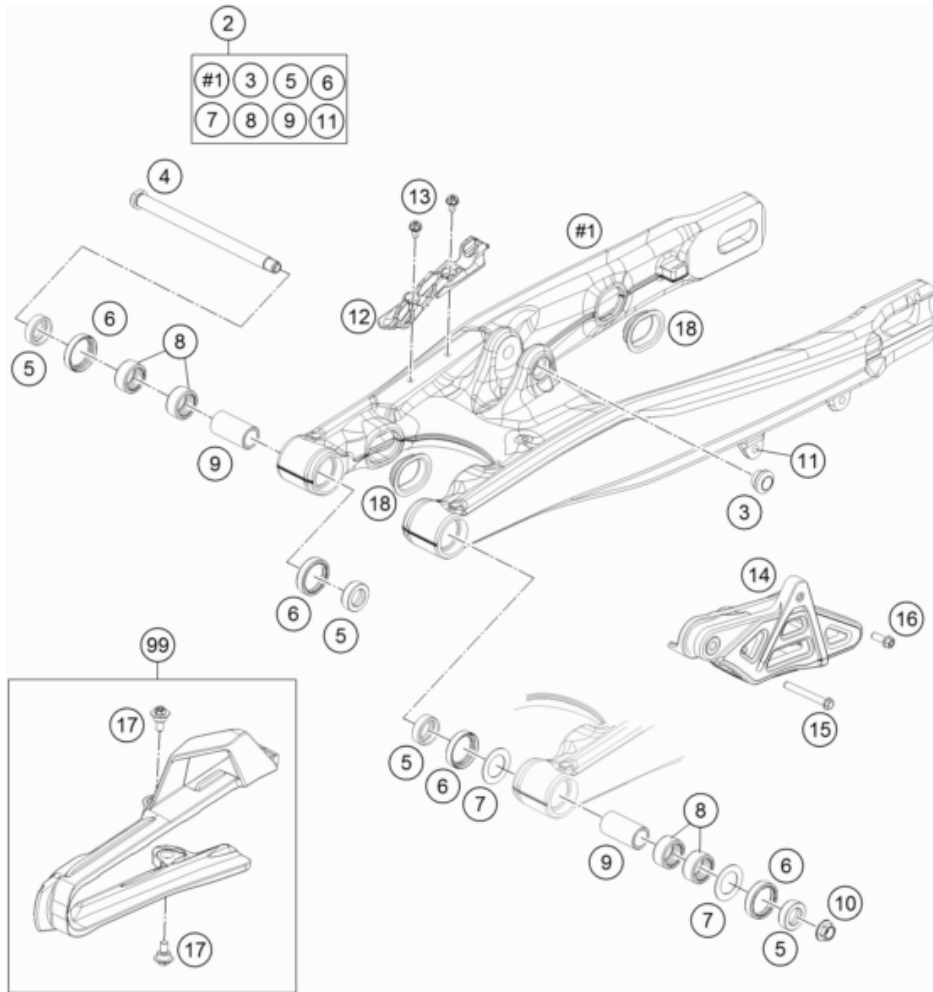
POS	PARTNUMBER	PIECE
1	46181242S6	Monoshock case M53x1 with pipe cpl. 1
2	36120151S	PLUG SCREW M5X6 CPL. 1
3	46810893	O-ring 5,28x1,78 NBR70 black 1
4	50180095	HS cylinder-head screw R1/8 I8 1
5	RP10011	Ball joint bearing kit 12mm 2
6	52000230	Sticker XACT 85 SX 1
7	50181101S40	Compression cpl. 1
8	50180217	O-ring 27x1,5 Viton70 green ISO 3601-3S 1
9	91010271S	SPRING (59) 215 30 N/MM x
9	91010240S	SPRING (59) 215 35 N/MM D=9,25 x
9	91010161S	SPRING (59) 215 40 N/MM D=9,5 1
9	91010201	Mainspring (59) 45-215 damper white x
9	91010080	Mainspring (59) 50-215 damper white x
9	91010170S	SPRING 55 N/MM x
10	46181382S	Plastic Spring Retainer D46 cpl. 1
11	RP10005	SPRING CUP SET PDS 17 1
12	46810010	Round-wire snap ring 49x1,8 1
13	46181351	Cover 46,12x15 h5,5 red 1
14	46181237	Rubber pad 17x48x55 1
15	46181301S3	Bottom part M18x1 h54,5 cpl. 1
17	46180669S	Sealholder 46x28 cpl. 1
18	46181365S	Nut PDS M10x1 h17,2 WAF19 cpl. 1
19	46181416	Piston 15,4x35,4x6 1
20	46181561	Bushing 10x17x21 1
21	46810474	Piston rod nut M12x1 1
22	46811258	Washer 12x24x2,5 1
23	46181328S	Piston 12x46x20 cpl. 1
24	46181194	Rebound disc 12x36x4 h0 1
98	50180751S1	SHOCK ABSORBER FLUID 5 LT 1
99	RP10020	Repairing kit shock absorber PDS 19 1

214720430

54211

* NEW PART

X ON DEMAND



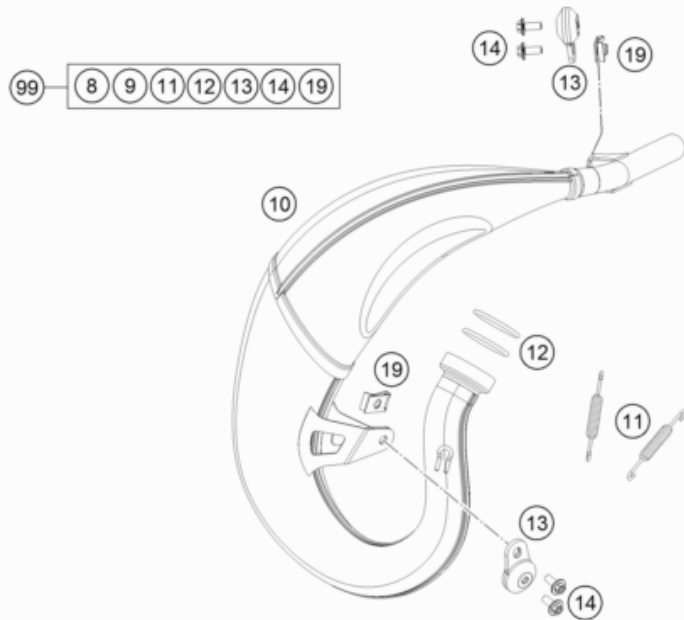
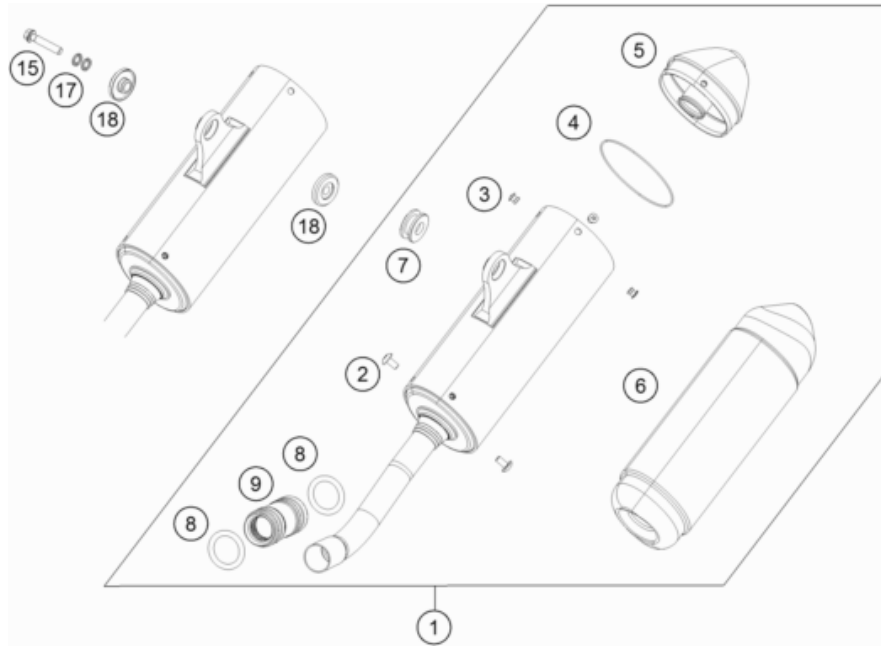
POS	PARTNUMBER		PIECE
2	47104030144	Swing arm cpl. 85 SX/TC 18	1
3	50180105	Threaded bush M12 d20	1
4	47104037000	SWING ARM BOLT 85 SX	1
5	54603090000	BUCKET F.SHAFTSEALRING 15X25X9	4
6	0760253270	radial shaft seal 25x32x7	4
7	59033080000	SHIM 20X32X1	2
8	50203097000	NEEDLE BUSH HK 2012	4
9	50203081700	BUSHING SLEEVE 15X20X38,75	2
10	77204087000	hex nut M14x1.5 WS17	1
11	54603055051	PRESS IN NUT M6 STEEL ZINC	1
12	47113047000	BRAKE HOSE GUIDE	1
13	0009050106	EJOT SPIRAL SCREW SF M5X10-K	2
14	78104070100	CHAIN GUIDE EXC	1
15	0025060456	HH COLLAR SCREW M6X45 TX30	1
16	0025060206	HH collar screw M6x20 TX30	1
17	83008000015	SPECIAL SCREW M6X15X3	2
18	77204041000	CLOSING COVER	4
99	47104066010	CHAIN GUARD KIT 85 SX 15	1

184720490

44920

* NEW PART

X ON DEMAND



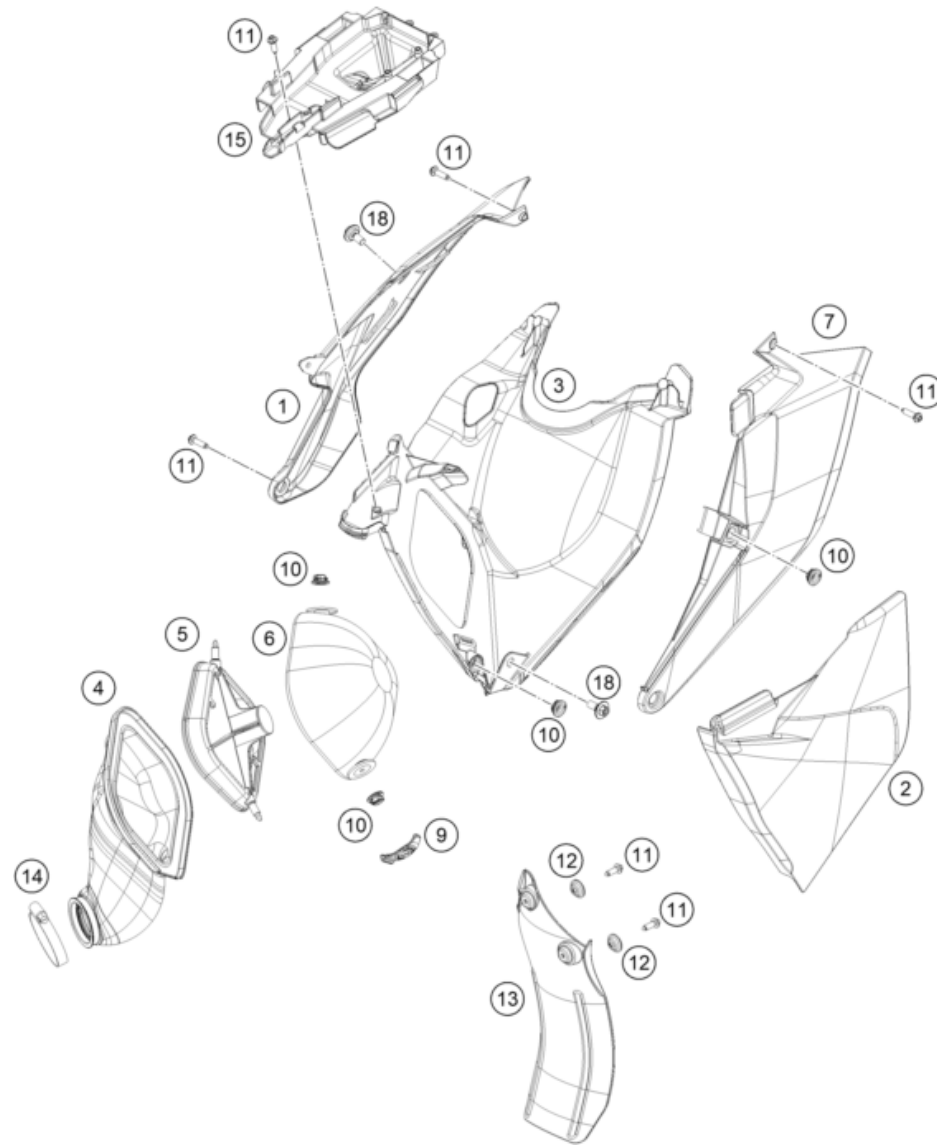
POS	PARTNUMBER		PIECE
1	47205079100	Silencer 85 SX	1
2	78105081010	SCREW TORX M5X10	4
3	0011480800	DUMMY RIVET 4,8X 8 NIRO	4
4	0770740015	O-RING 74,00X1,50 FKM 75SH	1
5	47205079060	Endcap cpl.	1
6	47205078165	stuffingyarn package 165g	1
7	77205068000	DAMP. COMPON. BLACK	1
8	47205058000	Hose spring	2
9	47205057000	Exhaust rubber	1
10	47205007000	Manifold	1
11	A46005016000	Tension spring L=65mm	2
12	0770380030	O-RING 38,00X3,00 VITON	2
13	50305012000	SWINGELEMENT FOR EXHAUST PIPE	2
14	0024060156	HH collar screw M6x15 TX30	4
15	0025060356	HH collar screw M6x35 TX30	1
17	50233041000	PAIR OF WASHERS M 6 NORDLOCK	1
18	77205169000	BUSHING 7.5x12x28x8.3 11	2
19	54603048100	clip nut M6	2
99	00050000812	EXHAUST HARDWARE KIT MINI	1

184720510

62500

* NEW PART

X ON DEMAND



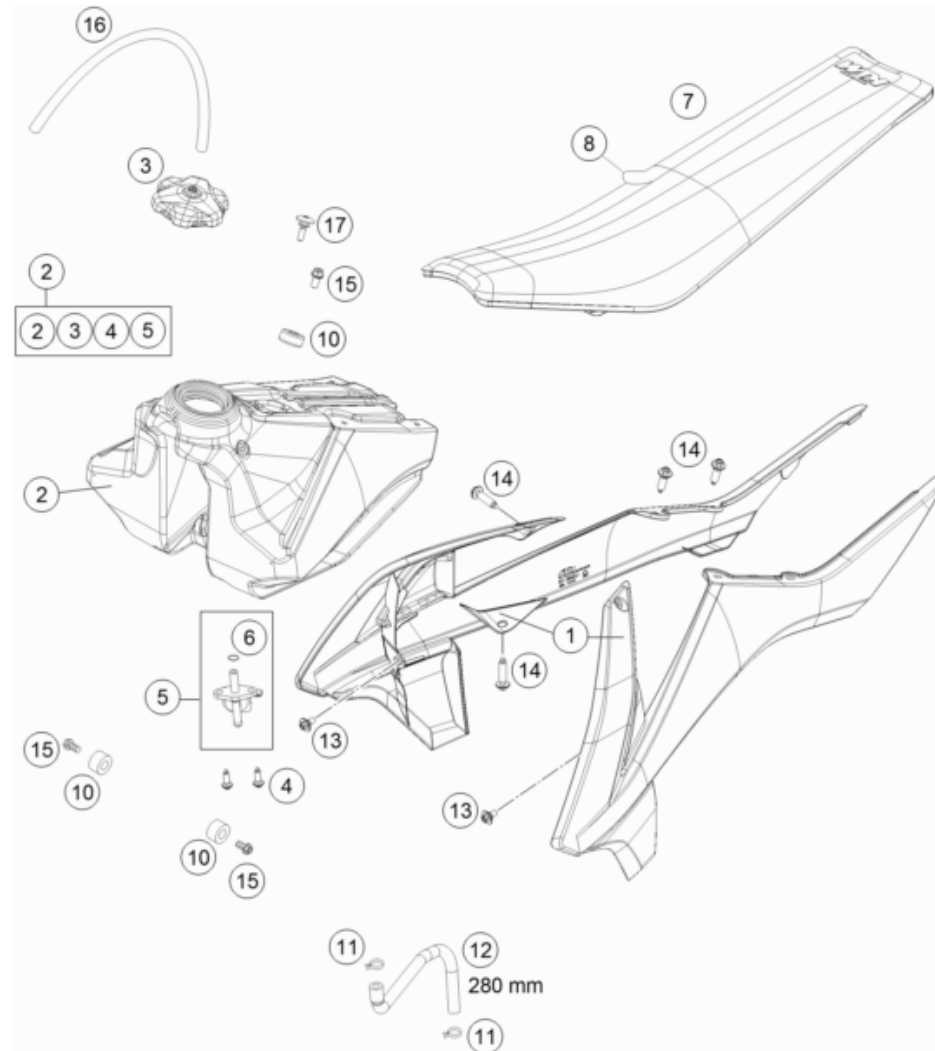
POS	PARTNUMBER		PIECE
1	47206004000FB	Air filter cover right	1
2	47206003000FB	Air filter box cover	1
3	47206001000FB	Air filter box	1
4	47206026000	Airbox rubber	1
5	47206016000	Air filter carrier	1
6	47206015000	Air filter	1
7	47206005000FB	Air filter cover left	1
9	79006017000	FILTER MOUNTING BRACKET	1
10	47106003160	quick release rubber grommet	4
11	0017060205	SCREW FOR PLASTIC K60X20 SW6	6
12	77304066050	chain slider bushing	2
13	47206010000	Splash protection	1
14	78006027000	HOSE CLAMP 45-65MM	1
15	47211094000	Electric compartment	1
18	83008000015	SPECIAL SCREW M6X15X3	2

21A5400615

55377

* NEW PART

X ON DEMAND



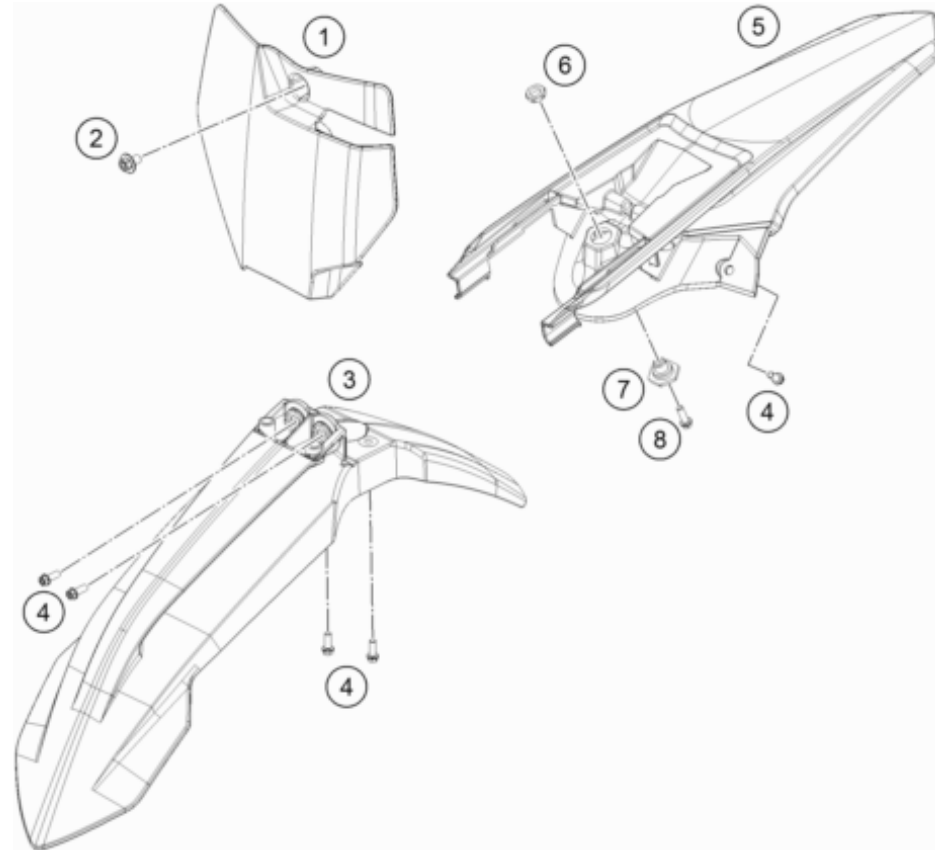
POS	PARTNUMBER		PIECE
1	47208054000FBB	Spoiler kit MC 85 23	1
2	47207013033	Fuel tank asm.	1
3	77707008144	TANK PLUG CPL. 2014	1
4	0017060205	SCREW FOR PLASTIC K60X20 SW6	2
5	50307005000	GAS COCK MIKUNI ON/OFF 2001	1
6	0770130023	O-RING 13,00X2,30	1
7	47207140000	Seat	1
8	47207140050	Seat cover	1
10	50307014000	TANK ROLLER 12X26X12 '98	3
11	45031005000	YDNAC-CLAMP FUEL HOSE (8MM)	2
12	58307016001	FUEL HOSE VITON 6X1,5 PER/M	1
13	83008000012	special screw M6x12x3	2
14	0017060206	SCREW F. PLASTIC K60X20AL SW6	8
15	0026060136	COLLAR SCREW M6X13 ISA30	3
16	78007000270	PVC-HOSE 5,6X10X270MM	1
17	50307011000	SCREW SEAT FASTENING D=6X23/18	1

184720710

59781

* NEW PART

X ON DEMAND



POS	PARTNUMBER		PIECE
1	47208007000FB	Start number plate MC85	1
2	0024060106	HH COLLAR SCREW M6X10 TX30	1
3	47208010000FB	Front fender	1
4	0025060166	HH collar screw M6x16 TX30	6
5	47208013000FB	Rear fender	1
6	50314057050	COLLAR NUT M12X1/WS17 H=5MM	1
7	54807048000	BUSHING FOR SEAT FASTENING 03	1
8	0025060256	HH collar screw M6x25 TX30	1

184720810

55389

* NEW PART

X ON DEMAND

POS	PARTNUMBER		PIECE
1	A54008099500	Graphics kit MC 85 2023	1



23A5400830

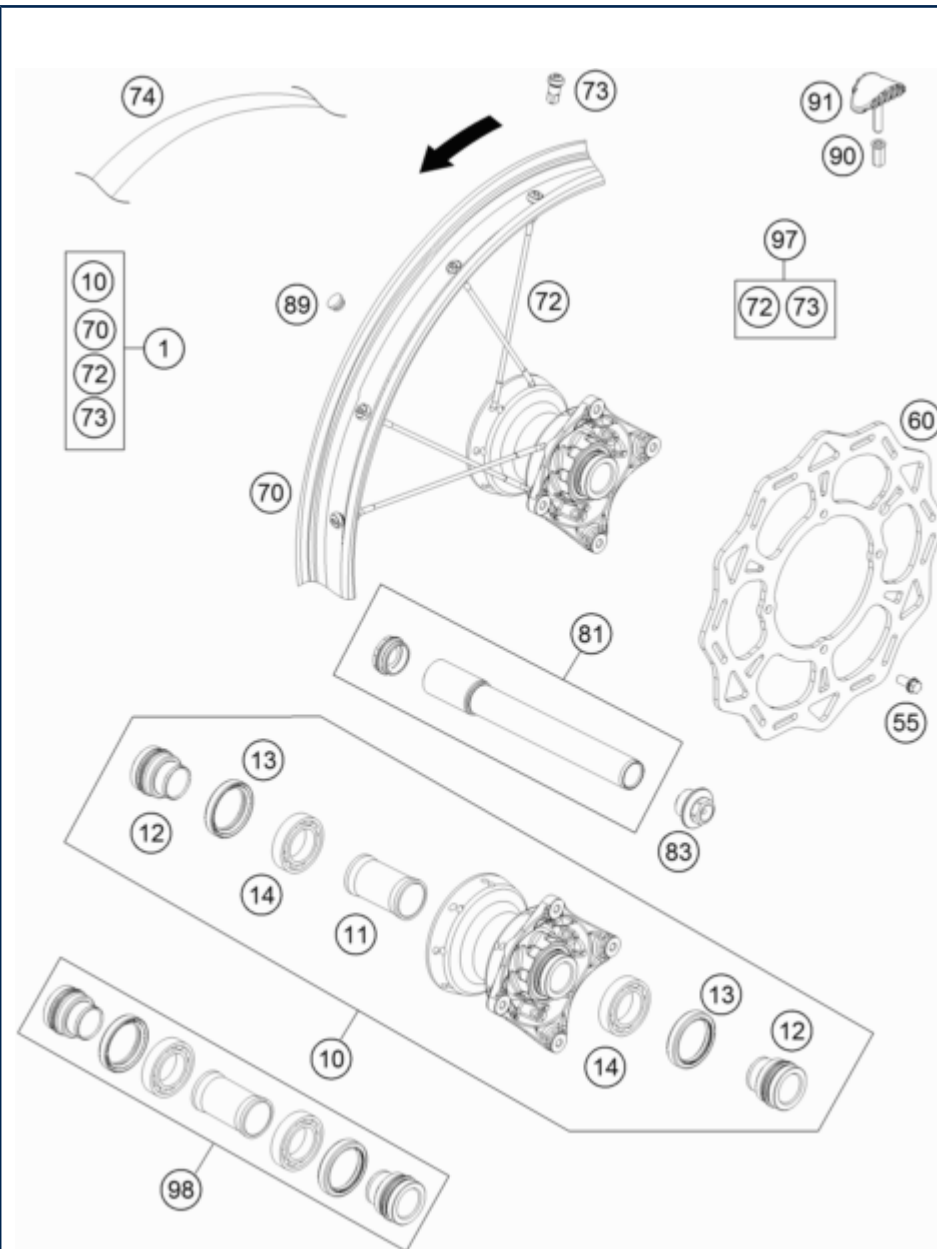
59783

* NEW PART

X ON DEMAND

FRONT WHEEL

MC 85 17/14 2024 1994



POS	PARTNUMBER		PIECE
1	4710900144430	FRONT WHEEL CPL. 17" BLACK 17	1
10	70009010044	FRONT WHEEL HUB CPL. 12	1
11	70009011000	BEAR.SPACER TUBE FRONT D22MM	1
12	70009012000	SPACER BUSHING D=22MM	2
13	0760324271	SHAFT SEAL RING 32X42X7 BSL	2
14	0625069050	BALL BEARING 6905 J1LLUC3	2
55	59009062013	SPECIAL SCREW M6X13 WS=8 10.9	4
60	47209060000	BRAKE DISC FRONT D=240MM	1
70	2350907040030	Front Rim 17x1.40	1
72	4710907118330	SPOKE M4,5X183-17" BLACK	32
73	79109072000	Spoke nipple M4.5	32
74	47009073000	RIM BAND 85 SX 17" 2003	1
81	70009081033	Front axle cpl. '12	1
83	70009082000	AXLESCREW M20X1.5 SW17	1
89	55003135000	PLUG FOR RIM	x
90	77110090050	NUT FOR WHEEL HOLDER	x
91	78109090000	RIM LOCK 1,60"	x
97	00050000965	SPOKE KIT FRONT "17" 85 SX 13	x
98	70009015000	FRONT WHEEL REP. KIT	x

184720910

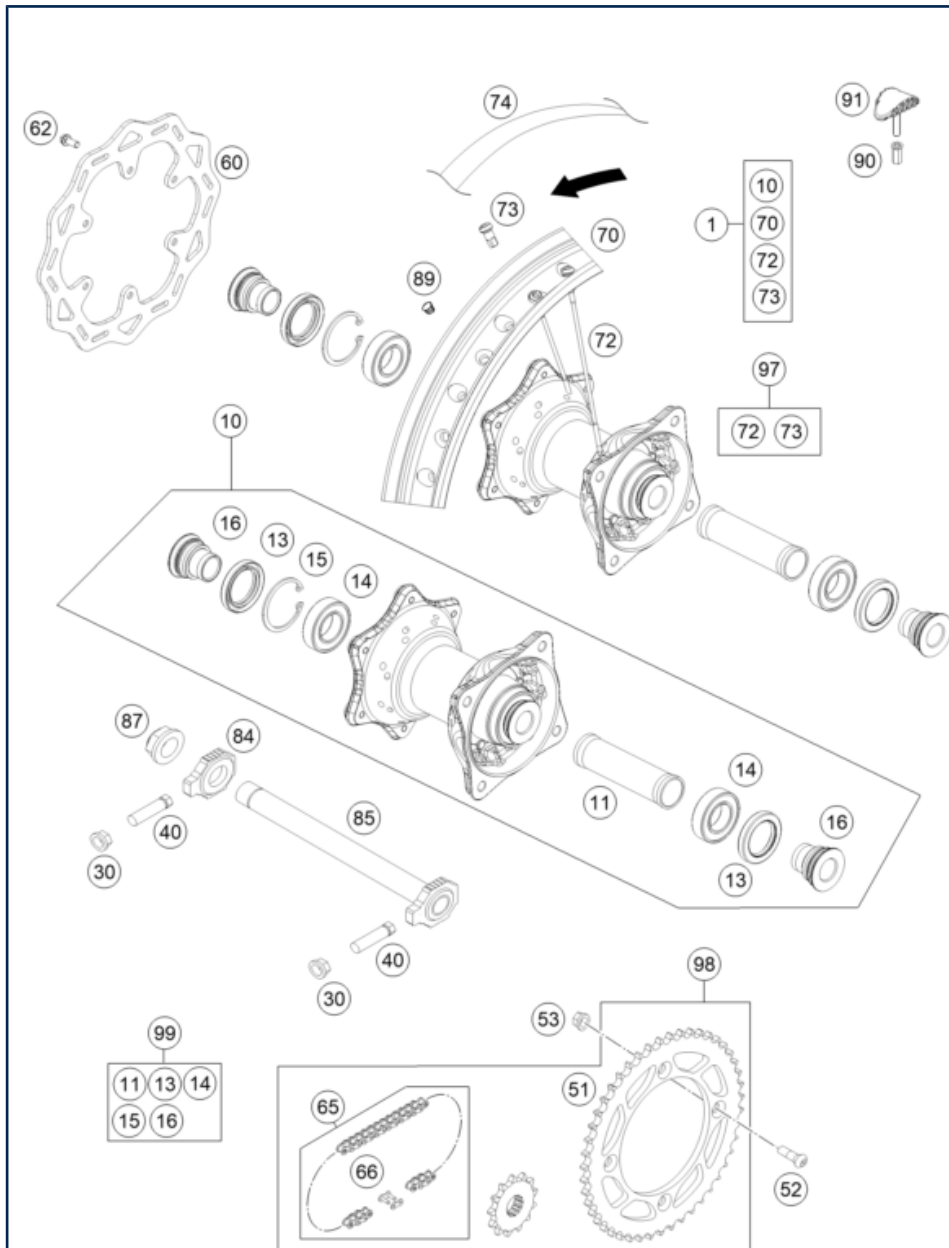
52383

* NEW PART

X ON DEMAND

REAR WHEEL

MC 85 17/14 2024 1994



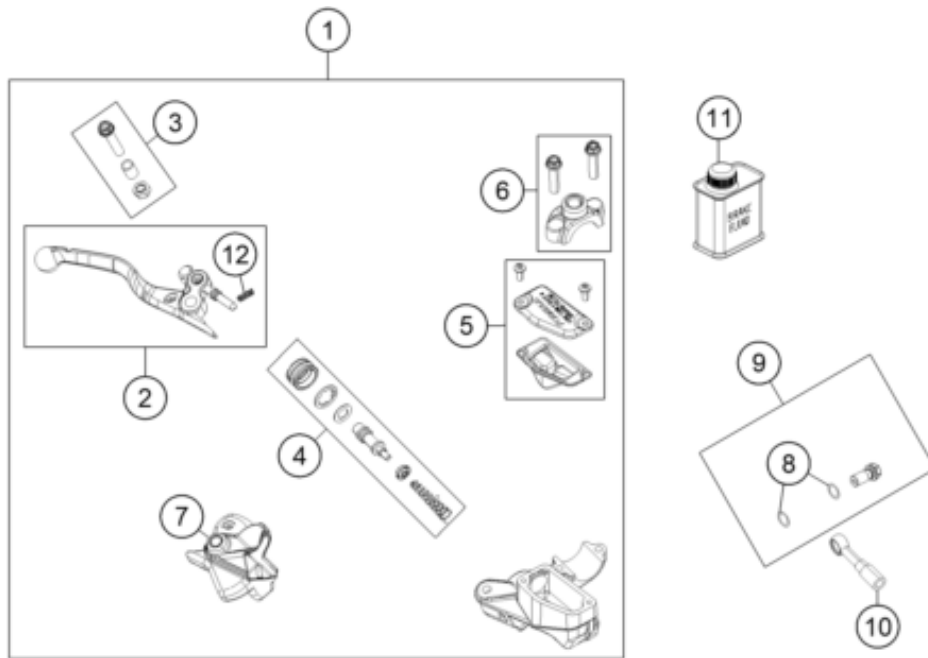
POS	PARTNUMBER		PIECE
1	4721000104430	Rear wheel cmpl. 1,6x14" 85SX	1
10	70110010044	Rear wheel hub cmpl.	1
11	70010011000	BEAR.SPACER TUBE '12	1
13	0760324771	SHAFT SEAL RING 32X47X7 BSL	2
14	0625060058	GR.BALL BEAR.6005 DDU2CG23S6NM	2
15	0472047175	CIRCLIP DIN0472-47X1,75	1
16	78010016000	BUSHING FOR HUB 08	2
30	46030045000	flanged nut M8 WS10	2
40	50203030090	HH SCREW M8X40 WS=10	2
51	47210051044	Sprocket 44-t	x
51	47210051045	Sprocket 45-t	x
51	47210051046	Sprocket 46-t	1
51	47210051047	Sprocket 47-t	x
51	47210051048	Sprocket 48-t	x
51	47210051049	Sprocket 49-t	x
51	47210051050	Sprocket 50-t	x
51	47210051051	Sprocket 51-t	x
52	0019080266S	COUNTER-SUNK SCREW ISA45 M8X26	4
53	06923080003	hex nut EN 1661 M8 WS13	4
60	79010060000	BRAKE DISC REAR 220MM 16	1
62	59009062016	SPECIAL SCREW M6X16 WS=8 10.9	6
65	47010165124	CHAIN 124 ROLLS 85 SX	1
66	47010166000	CONNECTING LINK 85 SX	1
70	2351007040030	rim back 14x1.60	1
72	4711007114730	SPOKE M4,5X147-14" BLACK	32
73	79109072000	Spoke nipple M4.5	32
74	47010073000	RIM BAND 85 SX 14" 2003	1
84	70010084000	CHAIN TENSIONER R/S 12	1
85	70010085044	WHEEL SPINDLE REAR CPL. 12	1
87	50310099000	HEXAGON NUT M20X1,5 '98	1
89	55003135000	PLUG FOR RIM	x
90	77110090050	NUT FOR WHEEL HOLDER	1
91	78109090000	RIM LOCK 1,60"	1
97	00050000966	SPOKE KIT REAR "14" 85 SX 13	x
98	00050002091	Drivetrain kit 13t/46t	x
99	70010015000	REAR WHEEL REP. KIT	x

214721010

54396

* NEW PART

X ON DEMAND



POS	PARTNUMBER		PIECE
1	47213001044	Complete master cylinder	1
2	72013002000	LEVER CPL.	1
3	70002038000	LEVER SCREW CPL.	1
4	72002032000	REP. KIT PISTON 10MM	1
5	47213003000	Reservoir kit	1
6	47213005000	Clamp Kit	1
7	70013004000	MUDCOVER HANDBRAKE LEVER	1
8	0770080019	O-RING 8,00X1,00 FORMULA	2
9	47213025000	Hose screws kit	1
10	47213110000	85cc. front hose	1
11	00062030000	BRAKE FLUID DOT5.1 0,25L	1
12	72002035000	SPRING FOR CLUTCH LEVER	1

214721310

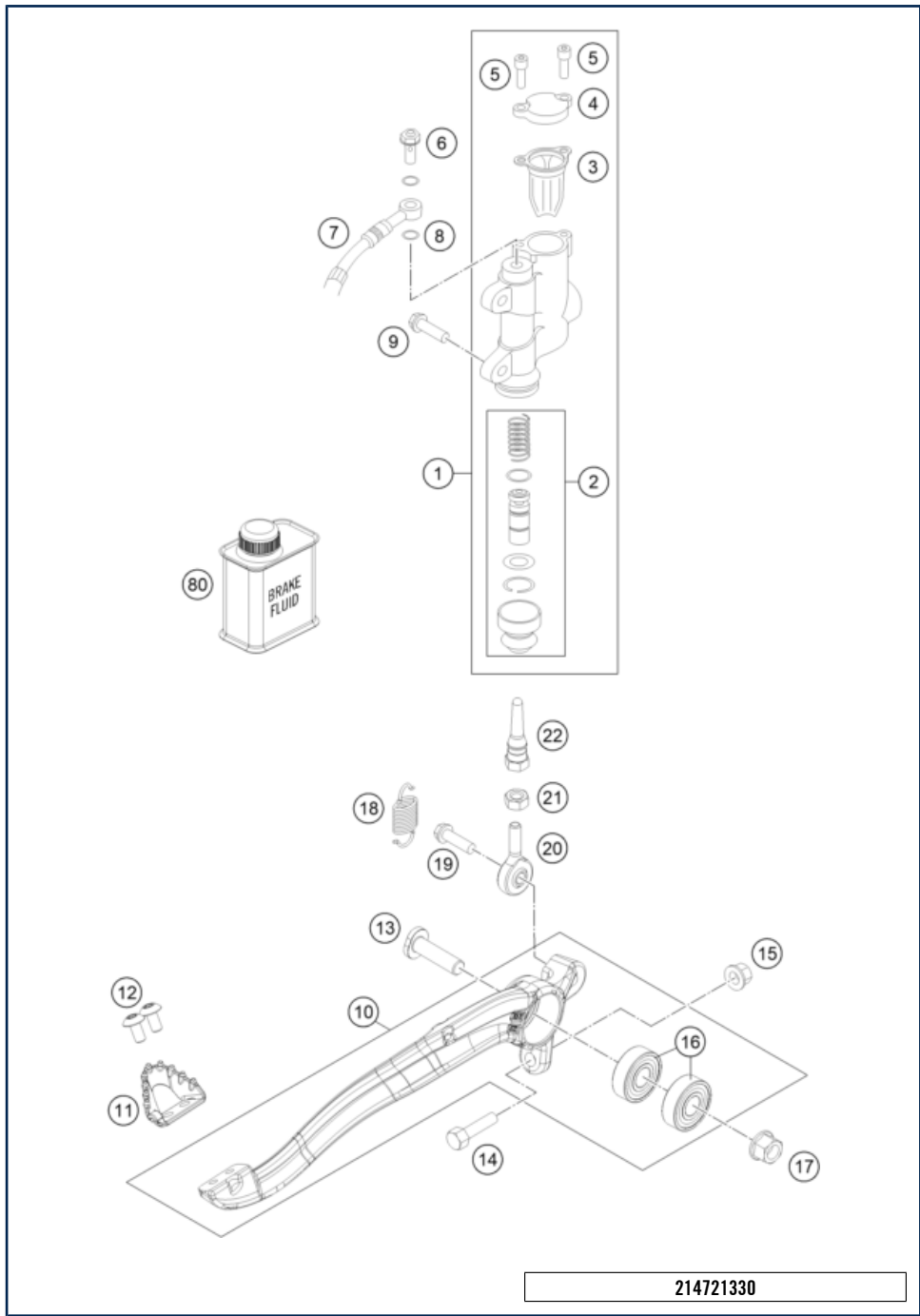
54518

* NEW PART

X ON DEMAND

REAR BRAKE CONTROL

MC 85 17/14 2024 1994



214721330

POS	PARTNUMBER		PIECE
1	47213060044	Complete master cylinder	1
2	47013061100	REP. SET PISTON REAR D=12 2004	1
3	47013063000	GASKET CYLINDER COVER REAR 03	1
4	47013062000	CYLINDER COVER REAR 85 SX 03	1
5	0912040103	AH.SCREW DIN0912-M 4X10	2
6	47013025000	HOLLOW SCREW BRAKE CYLINDER 03	1
7	47213070000	85cc. rear hose	1
8	0770080019	O-RING 8,00X1,00 FORMULA	2
9	0025060166	HH collar screw M6x16 TX30	2
10	47213050044	Foot brake lever kpl.	1
11	55413051000	STEP PLATE FOOT BRAKE LEVER	1
12	58605083010	SCREW TORX M5X10 05	2
13	47213054000	Screw foot brake lever	1
14	59001037000	SPECIAL SCREW M8X26 WS=10	1
15	46030045000	flanged nut M8 WS10	1
16	0625060002	deep groove ball bearing SKF 6000-2RS1	2
17	54630044000	COLLAR NUT M10 WS=13	1
18	79003062000	RETURN SPRING F. BRAKE LEVER	1
19	0025060206S	HH collar screw M6x20 TX30	1
20	54813055100	Joint head CMP6	1
21	0934060003	hex nut DIN 934 M6	1
22	47013056100	PRESSURE ROD 85 SX 06	1
80	00062030000	BRAKE FLUID DOT5.1 0,25L	1

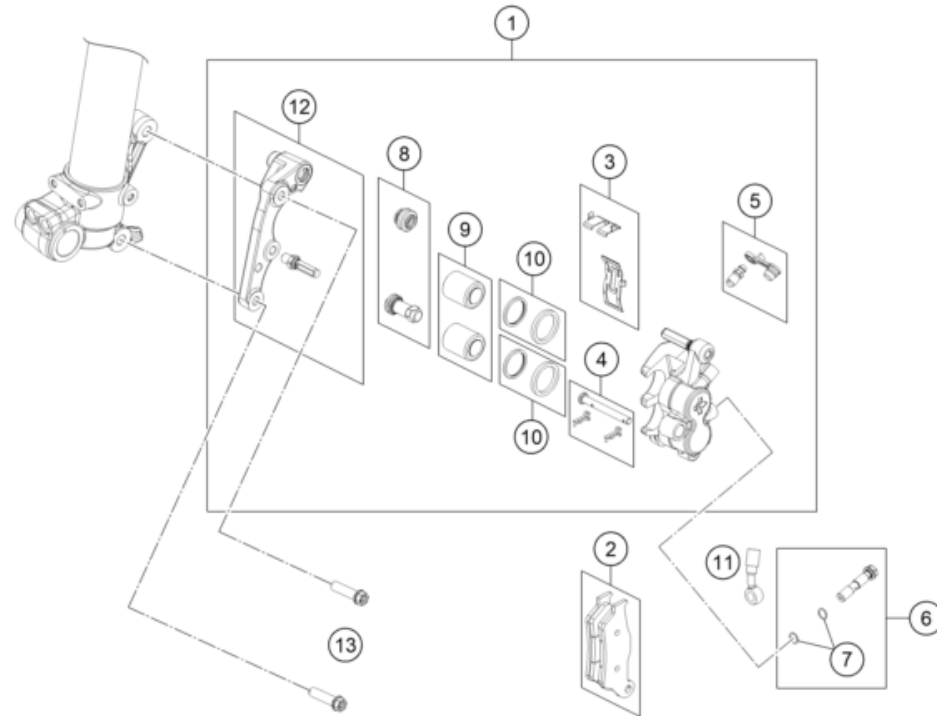
54447

* NEW PART

X ON DEMAND

FRONT BRAKE CALIPER

MC 85 17/14 2024 1994



POS	PARTNUMBER		PIECE
1	47213015001	Complete caliper	1
2	47213030000	Pads kit	1
3	47213018000	Springs kit	1
4	47213017000	Pads screw kit	1
5	47213020000	Bleeding screw with cap	1
6	47213025000	Hose screws kit	1
7	0770080019	O-RING 8,00X1,00 FORMULA	2
8	47213016000	Cup set	1
9	47213019000	Piston	2
10	47213021000	Seals kit	2
11	47213110000	85cc. front hose	1
12	47213014000	Bracket	1
13	0025080306S	HH COLLAR SCREW M8X30 TX40	2

214721360

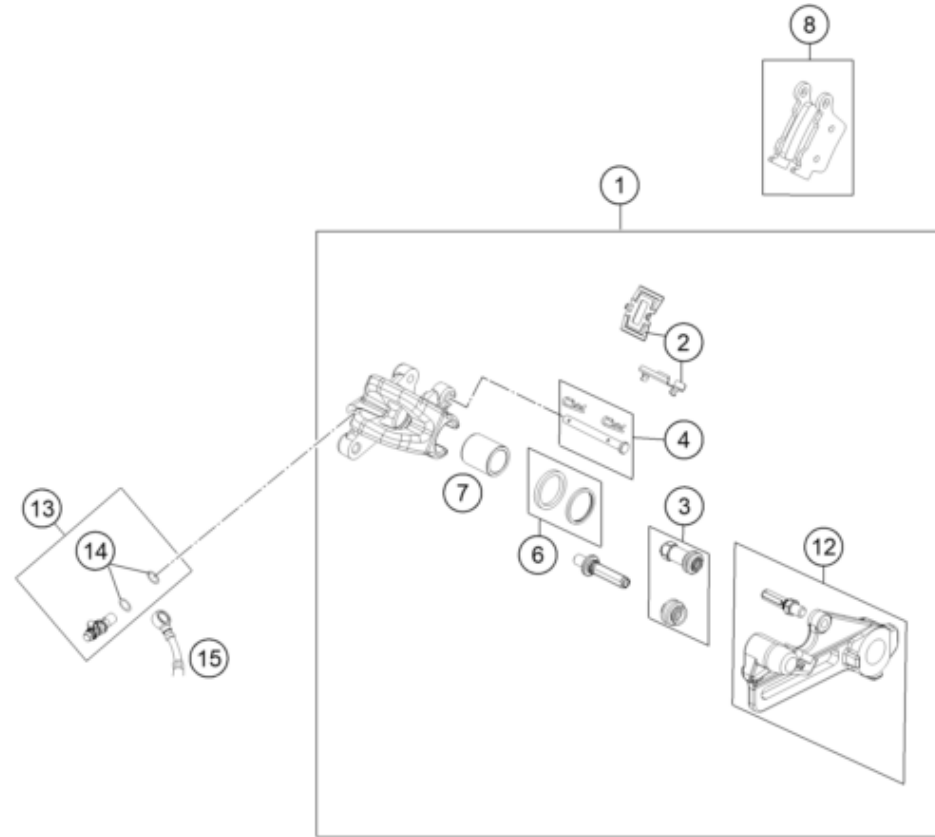
54525

* NEW PART

X ON DEMAND

REAR BRAKE CALIPER

MC 85 17/14 2024 1994



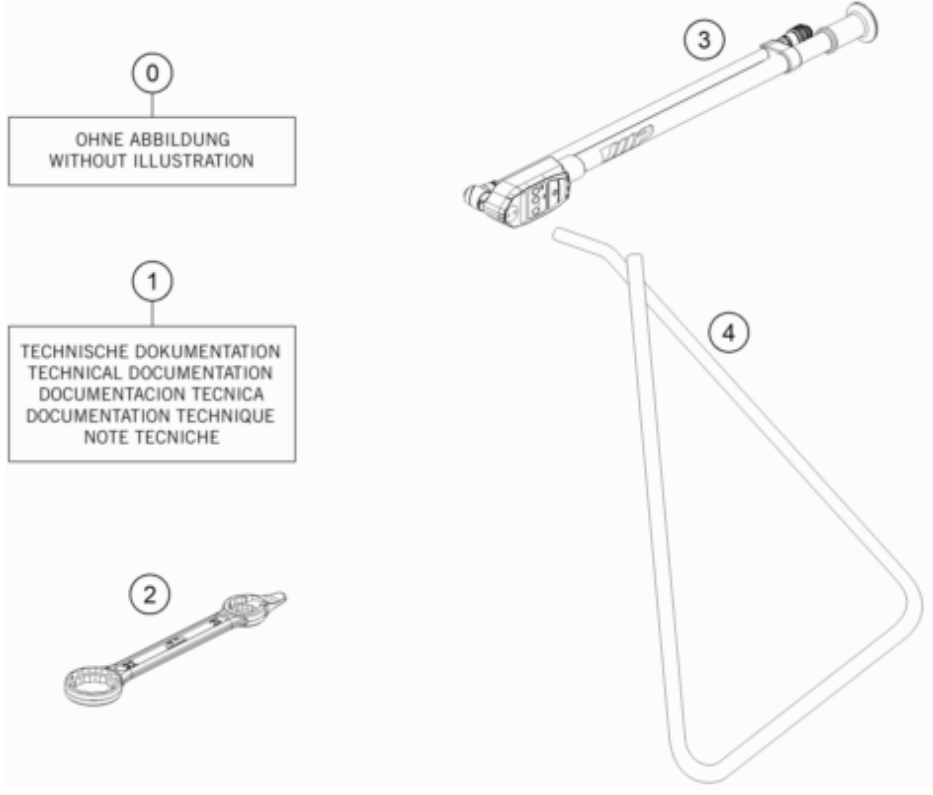
POS	PARTNUMBER		PIECE
1	47213080001	Complete caliper	1
2	47213085000	Springs kit/	1
3	47213016000	Cup set	1
4	47213082000	Pads screw kit	1
6	47213021000	Seals kit	1
7	47213019000	Piston	1
8	47213090000	Pads kit	1
12	47213075000	Plate kit	1
13	47213084000	Hose screws kit	1
14	0770080019	O-RING 8,00X1,00 FORMULA	2
15	47213070000	85cc. rear hose	1

214721390

54443

* NEW PART

X ON DEMAND



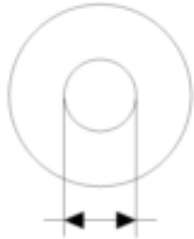
204722000

POS	PARTNUMBER		PIECE
0	79003040033	FOOT PEGS SET CPL. 2016	1
0	00063004012	HEADLIGHT MASK BOX	1
0	47203094000FB	Frame protection set	1
0	47208010033FBA	Front fender	1
0	0025060166	HH collar screw M6x16 TX30	4
0	47202002044	Handlebar pad compl.	1
0	52000229SET	Sticker XAXT AER OC 161x214	1
0	44011076140	CABLE TIE 140/2,5MM BLACK	2
0	44011076200	CABLE TIE 200/3,6MM BLACK	1
0	47235033000	Radiator cover full	1
0	47235033100	Radiator cover half	1
0	47208197000	Displacement sticker set MC85	1
0	54531623140	MAIN JET GR 140	1
0	54531623145	Main jet 145	1
0	54531623148	MAIN JET 148 KEIHIN	1
0	54531607045	IDLE JET 45 KEIHIN	1
0	54531607050	IDLE JET 50 KEIHIN	1
0	54531636012	"Jet needle Keihin ""NRJC""	1
0	00063004306	PLUG PACK	1
0	00063004202	PRINT LABEL 60X51 MM	1
0	0081035183	Ejot delta PT screw 35X18	2
1	3215156EN	Owner's manual MC 85 17/14 '24	1
2	50329080200	Combination wrench 17/21-27/32	1
3	79412966100	Fork pump	1
4	47003020000	PLUG IN STAND SX 85 2003	1

62615

* NEW PART

X ON DEMAND



5 Ø 5 mm

6 Ø 6 mm

8 Ø 8 mm

10 Ø 10 mm

12 Ø 12 mm

14 Ø 14-14,5 mm

16 Ø 16 mm

20 Ø 20 mm

21 Ø 21 mm

22 Ø 22 mm

23 Ø 23 mm

24 Ø 24,5 mm

28 Ø 28,25-28,5 mm

32 Ø 32 mm

52 Ø 52 mm



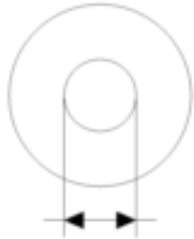
POS	PARTNUMBER		PIECE
1	48600611	Spring (10,2) l5 check valve	X
5	44906890	WASHER 5X15X2	X
6	40540400	Shim 6x12x0,10	X
6	40540401	Shim 6x14x0,10	X
6	40540402	Shim 6x16x0,10	X
6	40540403	Shim 6x18x0,10	X
6	40540404	Shim 6x12x0,15	X
6	40540405	Shim 6x14x0,15	X
6	40540406	Shim 6x16x0,15	X
6	40540407	SHIM 6X18X0,15	X
6	40540408	Shim 6x12x0,20	X
6	40540409	Shim 6x14x0,20	X
6	40540410	Shim 6x16x0,20	X
6	40540411	Shim 6x18x0,20	X
6	48600095	SHIM 6X20X0,20	X
6	40540412	Shim 6x12x0,25	X
6	40540413	Shim 6x14x0,25	X
6	40540414	Shim 6x16x0,25	X
6	40540415	Shim 6x18x0,25	X
6	40540417	SHIM 6X8,5X0,10	X
6	40540418	SHIM 6X9X0,10	X
6	40540419	SHIM 6X9,5X0,10	X
6	40540423	SHIM 6X9,5X0,15	X
6	40540425	SHIM 6X8,5X0,20	X
6	40540426	SHIM 6X9X0,20	X
6	40540427	SHIM 6X9,5X0,20	X
6	40540447	Shim 6x10x0,30	X
6	40540449	Shim 6x9x0,30	X
6	40540450	Shim 6x9,5x0,30	X
6	40540494	Shim 6x18x0,40	X
6	40540774	Shim 6x18x0,10 delta	X
6	40541383	Shim 6X11X0,10	X
6	40541391	Shim 6x11x0,30	X
6	40541402	Shim 6x11x0,20	X
6	40541403	SHIM 6X10X0,20	X
6	40541404	Shim 6x10x0,10	X
6	40541405	Shim 6x10x0,15	X
6	40541406	SHIM 6X11X0,15	X

080000190

4668

* NEW PART

X ON DEMAND



5 Ø 5 mm

6 Ø 6 mm

8 Ø 8 mm

10 Ø 10 mm

12 Ø 12 mm

14 Ø 14-14,5 mm

16 Ø 16 mm

20 Ø 20 mm

21 Ø 21 mm

22 Ø 22 mm

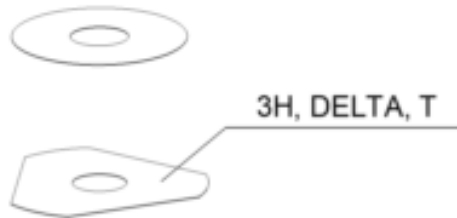
23 Ø 23 mm

24 Ø 24,5 mm

28 Ø 28,25-28,5 mm

32 Ø 32 mm

52 Ø 52 mm



POS	PARTNUMBER		PIECE
6	40541408	SHIM 6X8,0X0,30	X
6	40541414	Shim 6x8x0,1	X
6	40541416	SHIM 6X8X0,3	X
6	40541417	SHIM 6X11X0,25	X
6	48600102	SHIM 6X24X0,25	X
6	48600063	Shim 6x24x0,10	X
6	48600064	Shim 6x22x0,10	X
6	48600065	Shim 6x20x0,10	X
6	48600069	Shim 6x20x0,15	X
6	48600100	Shim 6x24x0,15	X
6	48600116	Shim 6x24x0,10 delta	X
6	48600139	Shim 6x22x0,1 delta	X
6	48600217	Shim 6x10x0,25	X
6	48600325	Shim 6x13x0,10	X
6	48600327	SHIM 6X15X0,1	X
6	48600329	Shim 6x17x0,10	X
6	48600331	Shim 6x19x0,10	X
6	48600096	Shim 6x20x0,25	X
6	48600097	Shim 6x22x0,15	X
6	48600099	Shim 6x22x0,25	X
6	40540448	Shim 6x8,5x0,30	X
6	48600479	Shim 6x20x0,10 DELTA	X
6	48600332	SHIM 6X21X0,1	X
6	48600333	SHIM 6X23X0,1	X
6	40541393	Shim 6x12x0,30	X
6	48600330	SHIM 6X17X0,15	X
6	48600988	Shim 6x28x0,10	X
6	48600989	Shim 6x26x0,10	X
6	48601091	Shim 6x28x0,15	X
6	48601093	Shim 6x26x0,15	X
6	48600328	Shim 6x15x0,15	X
6	48600326	Shim 6x13x0,15	X
6	48601548	Shim 6x17x1,5	X
6	48601693	Washer 6x18x3	X
6	48600098	Shim 6x22x0,20	X
6	48601300	Washer 6x25x1,5	X
6	48601692	Shim 6x30x0,15	X
6	48601550	Shim 6x30x0,10	X

080000190

4668

* NEW PART

X ON DEMAND



- 5 Ø 5 mm
- 6 Ø 6 mm
- 8 Ø 8 mm
- 10 Ø 10 mm
- 12 Ø 12 mm
- 14 Ø 14-14,5 mm
- 16 Ø 16 mm
- 20 Ø 20 mm
- 21 Ø 21 mm
- 22 Ø 22 mm
- 23 Ø 23 mm
- 24 Ø 24,5 mm
- 28 Ø 28,25-28,5 mm
- 32 Ø 32 mm
- 52 Ø 52 mm



POS	PARTNUMBER		PIECE
6	40541392	Shim 6x8x0,2	X
6	48601917	Washer 6x25x4	X
6	48601916	Washer 6x18x4	X
6	40540399	Shim 6x16x0,30	X
6	48601584	Shim 6x30x0,4 spring shim	X
6	48601459	Washer check valve 6x31x0,4	X
6	48601849	Check valve plate 2,5mm hub	X
6	48600101	SHIM 6X24X0,20	X
6	48601094	Shim 6x26x0,20	X
6	40540422	Shim 6X9X0,15	X
6	48601841	Washer check valve 6x31x0,4	X
6	48601850	Shim 6x30x0,4 spring shim	X
6	48601092	Shim 6x28x0,20	X
6	48601264	Shim 6x25x0,10	X
6	48600967	Shim 6x20x0,2 DELTA	X
6	48601847	Washer 6x25x1,5	X
6	48601707	Sinus shim plate 6X30	X
6	S64060000400000	Shim 6x14x0.3	X
6	S64060000500000	Shim 6x13x0.25	X
6	S64060000600000	Shim 6x17x0,2	X
6	40540421	Shim 6x8.5x0.15	X
6	48601262	Washer 6x18x1,5	X
6	S64060001500000	Shim 6x8x0,15	X
8	40540477	Shim 8x18x0,40	X
8	43570120	Shim 8x18x0,10	X
8	44916098	WASHER 8,4X16X0,8	X
8	44916130	WASHER 8,2X15X1	X
8	44916180	WASHER 8,2X11X1	X
8	48600214	Shim 8x16x0,10	X
8	48600385	SHIM 8x14x0.25	X
8	48600346	Shim 8x11x0,20	X
8	48600215	Shim 8x20x0,10	X
8	48600485	SHIM 8X10X0,10	X
8	48601402	SHIM 8X13X0,10	X
8	48600350	Shim 8x16x0,15	X
8	48600061	Shim 8x24x0,40	X
8	48600062	CHECK VALVE 8X24X0,1	X
8	48600216	Shim 8x22x0,10	X

080000190

4668

* NEW PART

X ON DEMAND



- 5 Ø 5 mm
- 6 Ø 6 mm
- 8 Ø 8 mm
- 10 Ø 10 mm
- 12 Ø 12 mm
- 14 Ø 14-14,5 mm
- 16 Ø 16 mm
- 20 Ø 20 mm
- 21 Ø 21 mm
- 22 Ø 22 mm
- 23 Ø 23 mm
- 24 Ø 24,5 mm
- 28 Ø 28,25-28,5 mm
- 32 Ø 32 mm
- 52 Ø 52 mm



POS	PARTNUMBER		PIECE
8	48600480	Shim 8x10x0,20	X
8	48600555	SHIM 8X16X0,20	X
8	48600213	SHIM 8X14X0,10	X
8	48600357	Shim 8x11x0,10	X
8	48600351	Shim 8x12x0,10	X
8	48600607	Shim 8x20x0,40	X
8	48601095	Shim 8x17x0,10	X
8	48600352	CHECK VALVE 8X11X0,4	X
8	48601860	Washer 8x11x0,15	X
8	48601266	Shim 8x26x0,40	X
8	46180640	Shim 8x16x0,3	X
8	43578166	Washer 8x20x1	X
8	48601113	Shim 8x15x0,1	X
8	48600218	Shim 8X11X0,40	X
8	48600964	Shim 8x20x0,15	X
8	89080008	Shim 8x30x0,10	X
8	48601859	Shim 8x10x0,15	X
8	48601863	Shim 8x14x0,15	X
8	89080001	Shim 8x18x0,15	X
8	89080002	Shim 8x22x0,15	X
8	89080003	Shim 8x24x0,15	X
8	89080005	Shim 8x26x0,15	X
8	89080007	Shim 8x28x0,15	X
8	89080009	Shim 8x30x0,15	X
8	48600386	Shim 8X12X0,25	X
8	48601862	Shim 8x13x0,15	X
8	89080004	Shim 8x26x0,10	X
8	89080006	Shim 8x28x0,10	X
8	S64080000000000	Shim 8x24x0,2	X
8	48601864	Shim 8x15x0,15	X
8	48600965	SHIM 8X20X0,2	X
8	S64080000300000	Shim 8x18x0,2	X
8	S64080000100000	Shim 8x12x0,2	X
8	S64080000900000	Shim 8x14x0,20	X
8	S64080000100000	Shim 8x12x0,2	X
8	S64080000400000	Shim 8x22x0,2	X
10	36120284	SHIM 10X16X0,10	X
10	36120298	SHIM 10X16X0,2	X

080000190

4668

* NEW PART

X ON DEMAND



5 Ø 5 mm

6 Ø 6 mm

8 Ø 8 mm

10 Ø 10 mm

12 Ø 12 mm

14 Ø 14-14,5 mm

16 Ø 16 mm

20 Ø 20 mm

21 Ø 21 mm

22 Ø 22 mm

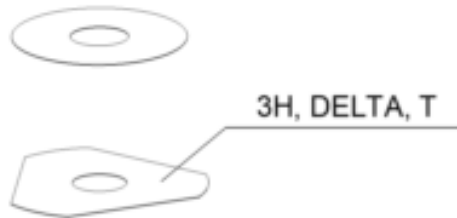
23 Ø 23 mm

24 Ø 24,5 mm

28 Ø 28,25-28,5 mm

32 Ø 32 mm

52 Ø 52 mm



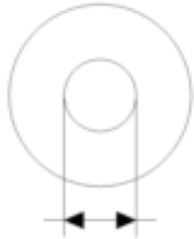
POS	PARTNUMBER		PIECE
10	36120312	SHIM 10X16X0,30	X
10	36120314	SHIM 10X18X0,30	X
10	36120325	SHIM 10X19X0,15	X
10	36120327	SHIM 10X23X0,15	X
10	36120328	SHIM 10X25X0,15	X
10	36120329	SHIM 10X27X0,15	X
10	36120330	SHIM 10X29X0,15	X
10	36120331	SHIM 10X31X0,15	X
10	36120332	SHIM 10X33X0,15	X
10	36120334	SHIM 10X21X0,20	X
10	36120335	SHIM 10X23X0,20	X
10	36120336	SHIM 10X25X0,20	X
10	36120337	SHIM 10X27X0,20	X
10	36120338	SHIM 10X29X0,20	X
10	36120339	SHIM 10X31X0,20	X
10	36120340	SHIM 10X33X0,20	X
10	36120342	SHIM 10X21X0,25	X
10	36120343	SHIM 10X23X0,25	X
10	36120344	SHIM 10X25X0,25	X
10	36120345	SHIM 10X27X0,25	X
10	36120349	SHIM 10X19X0,30	X
10	36120350	SHIM 10X21X0,30	X
10	36120313	SHIM 10X17X0,30	X
10	36120354	SHIM 10X29X0,30	X
10	40140275	WASHER 10X35X0,15	X
10	48601708	Shim 10x30x0,40	X
10	36120346	SHIM 10X29X0,25	X
10	36120355	SHIM 10X31X0,30	X
10	36120348	SHIM 10X33X0,25	X
10	36120311	SHIM 10X15X0,30	X
10	36120292	SHIM 10X17X0,15	X
10	36120326	SHIM 10X21X0,15	X
10	36120286	SHIM 10X18X0,10	X
10	36120347	SHIM 10X31X0,25	X
10	36120333	SHIM 10X19X0,20	X
10	36120351	SHIM 10X23X0,30	X
10	36120352	SHIM 10X25X0,30	X
10	36120353	SHIM 10X27X0,30	X

080000190

4668

* NEW PART

X ON DEMAND



5 Ø 5 mm

6 Ø 6 mm

8 Ø 8 mm

10 Ø 10 mm

12 Ø 12 mm

14 Ø 14-14,5 mm

16 Ø 16 mm

20 Ø 20 mm

21 Ø 21 mm

22 Ø 22 mm

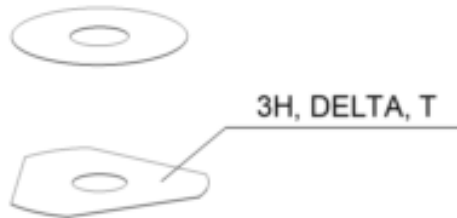
23 Ø 23 mm

24 Ø 24,5 mm

28 Ø 28,25-28,5 mm

32 Ø 32 mm

52 Ø 52 mm



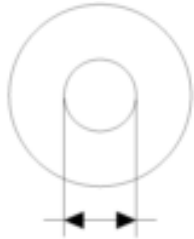
POS	PARTNUMBER		PIECE
10	36120356	SHIM 10X33X0,30	X
10	50180395	Washer 10x16x1	X
10	36120291	SHIM 10X16X0,15	X
10	36120308	Shim 10x13x0,30	X
10	36120604	Washer 10x22x2,5	X
10	36120299	SHIM 10X17X0,20	X
12	46810605	SHIM 12X21X0,10	X
12	46810490	SHIM 12X24X0,20	X
12	46810491	Shim 12x26x0,20	X
12	46810492	Shim 12x28x0,20	X
12	46810493	SHIM 12X30X0,20	X
12	46810494	Shim 12x32x0,20	X
12	46810495	Shim 12x34x0,20	X
12	46810496	SHIM 12X36X0,20	X
12	46810497	SHIM 12X38X0,20	X
12	46810498	Shim 12x40x0,20	X
12	46810499	Shim 12x24x0,25	X
12	46810500	SHIM 12X26X0,25	X
12	46810501	SHIM 12X28X0,25	X
12	46810502	Shim 12x30x0,25	X
12	46810504	SHIM 12X34X0,25	X
12	46810505	SHIM 12X36X0,25	X
12	46810507	Shim 12x40x0,25	X
12	46810508	SHIM 12X24X0,30	X
12	46810509	SHIM 12X26X0,30	X
12	46810510	SHIM 12X28X0,30	X
12	46810512	SHIM 12X32X0,30	X
12	46810513	SHIM 12X34X0,30	X
12	46810518	SHIM 12X26X0,15	X
12	46810519	SHIM 12X28X0,15	X
12	46810520	SHIM 12X30X0,15	X
12	46810521	SHIM 12X32X0,15	X
12	46810522	SHIM 12X34X0,15	X
12	46810523	SHIM 12X36X0,15	X
12	46810524	SHIM 12X38X0,15	X
12	46810525	SHIM 12X40X0,15	X
12	46810604	SHIM 12X20X0,10	X
12	46810606	SHIM 12X22X0,10	X

080000190

4668

* NEW PART

X ON DEMAND



- 5 Ø 5 mm
- 6 Ø 6 mm
- 8 Ø 8 mm
- 10 Ø 10 mm
- 12 Ø 12 mm
- 14 Ø 14-14,5 mm
- 16 Ø 16 mm
- 20 Ø 20 mm
- 21 Ø 21 mm
- 22 Ø 22 mm
- 23 Ø 23 mm
- 24 Ø 24,5 mm
- 28 Ø 28,25-28,5 mm
- 32 Ø 32 mm
- 52 Ø 52 mm



POS	PARTNUMBER		PIECE
12	46810607	SHIM 12X23X0,10	X
12	46810608	SHIM 12X24X0,10	X
12	46810610	Shim 12x17x0,15	X
12	46810611	SHIM 12X18X0,15	X
12	46810612	SHIM 12X19X0,15	X
12	46810615	SHIM 12X22X0,15	X
12	46810636	BACKPLATE 12X16X0,30	X
12	46810637	Shim 12x17x0,30	X
12	46810638	Shim 12x18x0,30	X
12	46810639	SHIM 12X19X0,30	X
12	46810641	Shim 12X21X0,30	X
12	46811582	Shim 12x30x0,10	X
12	46810631	SHIM 12X20X0,25	X
12	46810633	SHIM 12X22X0,25	X
12	46811580	Shim 12x32x0,10	X
12	46810503	SHIM 12X32X0,25	X
12	46810517	SHIM 12X24X0,15	X
12	46810856	Shim 12x20x0,30	X
12	46811258	Washer 12x24x2,5	X
12	46812018	Shim 12x42x0,25	X
12	46812015	Shim 12x44x0,20	X
12	46810613	SHIM 12X20X0,15	X
12	46810623	SHIM 12X21X0,20	X
12	46810624	SHIM 12X22X0,20	X
12	46810642	SHIM 12X22X0,30	X
12	46810643	SHIM 12X23X0,30	X
12	46811629	Shim 12x28x0,10	X
12	46810511	SHIM 12X30X0,30	X
12	46810514	SHIM 12X36X0,30	X
12	46810506	SHIM 12X38X0,25	X
12	46810515	SHIM 12X38X0,30	X
12	46812017	Shim 12x42x0,20	X
12	46812016	Shim 12x44x0,25	X
12	46810622	SHIM 12X20X0,20	X
12	46811635	Shim 12x26x0,10	X
12	50181296	Shim 12x45x0,20	X
12	46810620	Shim 12x18x0,2	X
12	46810616	Shim 12x23x0,15	X

080000190

4668

* NEW PART

X ON DEMAND



- 5 Ø 5 mm
- 6 Ø 6 mm
- 8 Ø 8 mm
- 10 Ø 10 mm
- 12 Ø 12 mm
- 14 Ø 14-14,5 mm
- 16 Ø 16 mm
- 20 Ø 20 mm
- 21 Ø 21 mm
- 22 Ø 22 mm
- 23 Ø 23 mm
- 24 Ø 24,5 mm
- 28 Ø 28,25-28,5 mm
- 32 Ø 32 mm
- 52 Ø 52 mm



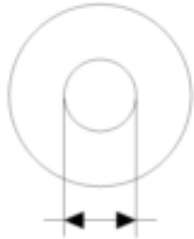
POS	PARTNUMBER		PIECE
12	46810625	SHIM 12X23X0,20	X
12	50181297	Adjustment 12x45x0,25	X
12	46810603	SHIM 12X19X0,10	X
12	46180712	SHIM 12X36X0,10	X
12	46810614	SHIM 12X21X0,15	X
12	46810628	SHIM 12X17X0,25	X
12	46810634	SHIM 12X23X0,25	X
12	S64120000000000	Shim 12x25x0,15	X
12	46810516	SHIM 12X40X0,30	X
12	S64120000800000	Shim 12x34x0,1	X
12	46810627	SHIM 12X16X0,25	X
12	46810632	SHIM 12X21X0,25	X
12	46810602	SHIM 12X18X0,10	X
14	35480479	Shim 14x26x0,40	X
14	46811046	Washer 14,5x35,4x1,25	X
16	50180023	SHIM 16X23X0,20	X
16	50180030	Shim 16x23x0,25	X
16	50180006	Shim 16x20x0,10	X
16	50180007	SHIM 16X21X0,10	X
16	50180028	SHIM 16X21X0,25	X
16	50180210	Washer 16x21x1	X
16	50180008	SHIM 16X22X0,10	X
16	50180022	Shim 16x22x0,20	X
16	50180037	SHIM 16X23X0,30	X
16	50180038	SHIM 16X24X0,30	X
16	50180032	Shim 16x25x0,25	X
16	50180039	SHIM 16X25X0,30	X
16	50180012	SHIM 16X26X0,10	X
16	50180019	SHIM 16X26X0,15	X
16	50180026	SHIM 16X26X0,20	X
16	50180040	SHIM 16X26X0,30	X
16	50180041	SHIM 16X28X0,10	X
16	50180045	Shim 16x28x0,15	X
16	50180054	Shim 16x28x0,2	X
16	50180063	SHIM 16X28X0,25	X
16	50180072	SHIM 16X28X0,30	X
16	50180046	SHIM 16X30X0,15	X
16	50180055	SHIM 16X30X0,20	X

080000190

4668

* NEW PART

X ON DEMAND



5 Ø 5 mm

6 Ø 6 mm

8 Ø 8 mm

10 Ø 10 mm

12 Ø 12 mm

14 Ø 14-14,5 mm

16 Ø 16 mm

20 Ø 20 mm

21 Ø 21 mm

22 Ø 22 mm

23 Ø 23 mm

24 Ø 24,5 mm

28 Ø 28,25-28,5 mm

32 Ø 32 mm

52 Ø 52 mm



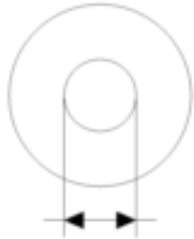
POS	PARTNUMBER		PIECE
16	50180064	Shim 16x30x0,25	X
16	50180073	SHIM 16X30X0,30	X
16	50180047	Shim 16X32X0,15	X
16	50180056	Shim 16x32x0,2	X
16	50180065	SHIM 16X32X0,25	X
16	50180074	SHIM 16X32X0,30	X
16	50180044	SHIM 16X34X0,10	X
16	50180048	SHIM 16X34X0,15	X
16	50180057	Shim 16x34x0,2 y5	X
16	50180066	SHIM 16X34X0,25	X
16	50180075	SHIM 16X34X0,30	X
16	50180049	Shim 16x36x0,15	X
16	50180058	Shim 16x36x0,20	X
16	50180067	SHIM 16X36X0,25	X
16	50180076	SHIM 16X36X0,30	X
16	50180050	SHIM 16X38X0,15	X
16	50180059	SHIM 16X38X0,20	X
16	50180068	SHIM 16X38X0,25	X
16	50180077	SHIM 16X38X0,30	X
16	50180051	Shim 16x40x0,15	X
16	50180060	Shim 16x40x0,2	X
16	50180069	SHIM 16X40X0,25	X
16	50180078	SHIM 16X40X0,30	X
16	50180052	SHIM 16X42X0,15	X
16	50180061	Shim 16x42x0,2	X
16	50180070	SHIM 16X42X0,25	X
16	50180079	SHIM 16X42X0,30	X
16	50180053	SHIM 16X44X0,15	X
16	50180062	Shim 16X44X0,20	X
16	50180071	SHIM 16X44X0,25	X
16	50180080	SHIM 16X44X0,30	X
16	50180177	Springwasher 8,2x16x0,6	X
16	50180033	Shim 16x26x0,25	X
16	50180034	Shim 16x20x0,30	X
16	50180035	Shim 16x21x0,30	X
16	50180036	Shim 16x22x0,30	X
16	50180043	SHIM 16X32X0,10	X
16	50180024	Shim 16x24x0,20	X

080000190

4668

* NEW PART

X ON DEMAND



- 5 Ø 5 mm
- 6 Ø 6 mm
- 8 Ø 8 mm
- 10 Ø 10 mm
- 12 Ø 12 mm
- 14 Ø 14-14,5 mm
- 16 Ø 16 mm
- 20 Ø 20 mm
- 21 Ø 21 mm
- 22 Ø 22 mm
- 23 Ø 23 mm
- 24 Ø 24,5 mm
- 28 Ø 28,25-28,5 mm
- 32 Ø 32 mm
- 52 Ø 52 mm



POS	PARTNUMBER		PIECE
16	50180027	SHIM 16X20X0,25	X
16	50180031	Shim 16x24x0,25	X
16	50180029	SHIM	X
16	50180010	SHIM 16X24X0,10	X
16	50180021	SHIM 16X21X0,20	X
16	50180025	SHIM 16X25X0,20	X
16	50180383	Washer 16x19x0,3	X
16	50180014	SHIM	X
16	50180013	SHIM 16X20X0,15	X
16	50180015	DISTANCER PLATE 16X22X0,15	X
16	50180017	Shim 16x24x0,15	X
16	50180009	DISTANCER PLATE 16X23X0,10	X
16	50180016	SHIM 16X23X0,15	X
16	50180020	SHIM 16X20X0,20	X
20	48600212	PRESSURE-RING 20X16,25X0,20	X
20	50180666	SHIM 20X24X0,30	X
20	50180654	SHIM 20X36X0,20	X
20	50180655	SHIM 20X38X0,20	X
20	50180656	SHIM 20X40X0,20	X
20	50180665	SHIM 20X40X0,25	X
20	50180662	SHIM 20X34X0,25	X
20	50180657	SHIM 20X24X0,25	X
20	50180653	SHIM 20X34X0,20	X
20	50180634	RING 20X22,9X1	X
20	50180650	SHIM 20,2X28X0,20	X
20	50180663	SHIM 20X36X0,25	X
20	50180664	SHIM 20X38X0,25	X
20	50180659	SHIM 20,2X28X0,25	X
21	50180209	Shim 21x36x0,25	X
22	50180330	Shim 18x22x0,3	X
23	50180635	SHUTTLE VALVE 23X38X0,25	X
23	50180578	SHIM D23XD16X2	X
24	40541061	WASHER 24,5X34X2	X
28	36120469	SHIM 28,5X14X2	X
28	36120471	SHIM 28,5X14X5	X
28	89000001	Shim 28,25x34x0,30	X
28	46811636	Shim 28,25x32x0,30	X
32	48600460	WASHER 32X42X2,5	X

080000190

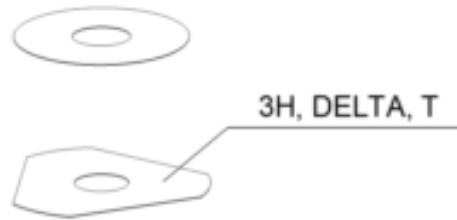
4668

* NEW PART

X ON DEMAND



- ⑤ Ø 5 mm
- ⑥ Ø 6 mm
- ⑧ Ø 8 mm
- ⑩ Ø 10 mm
- ⑫ Ø 12 mm
- ⑭ Ø 14-14,5 mm
- ⑮ Ø 16 mm
- ⑳ Ø 20 mm
- ㉑ Ø 21 mm
- ㉒ Ø 22 mm
- ㉓ Ø 23 mm
- ㉔ Ø 24,5 mm
- ㉘ Ø 28,25-28,5 mm
- ㉚ Ø 32 mm
- ㉜ Ø 52 mm



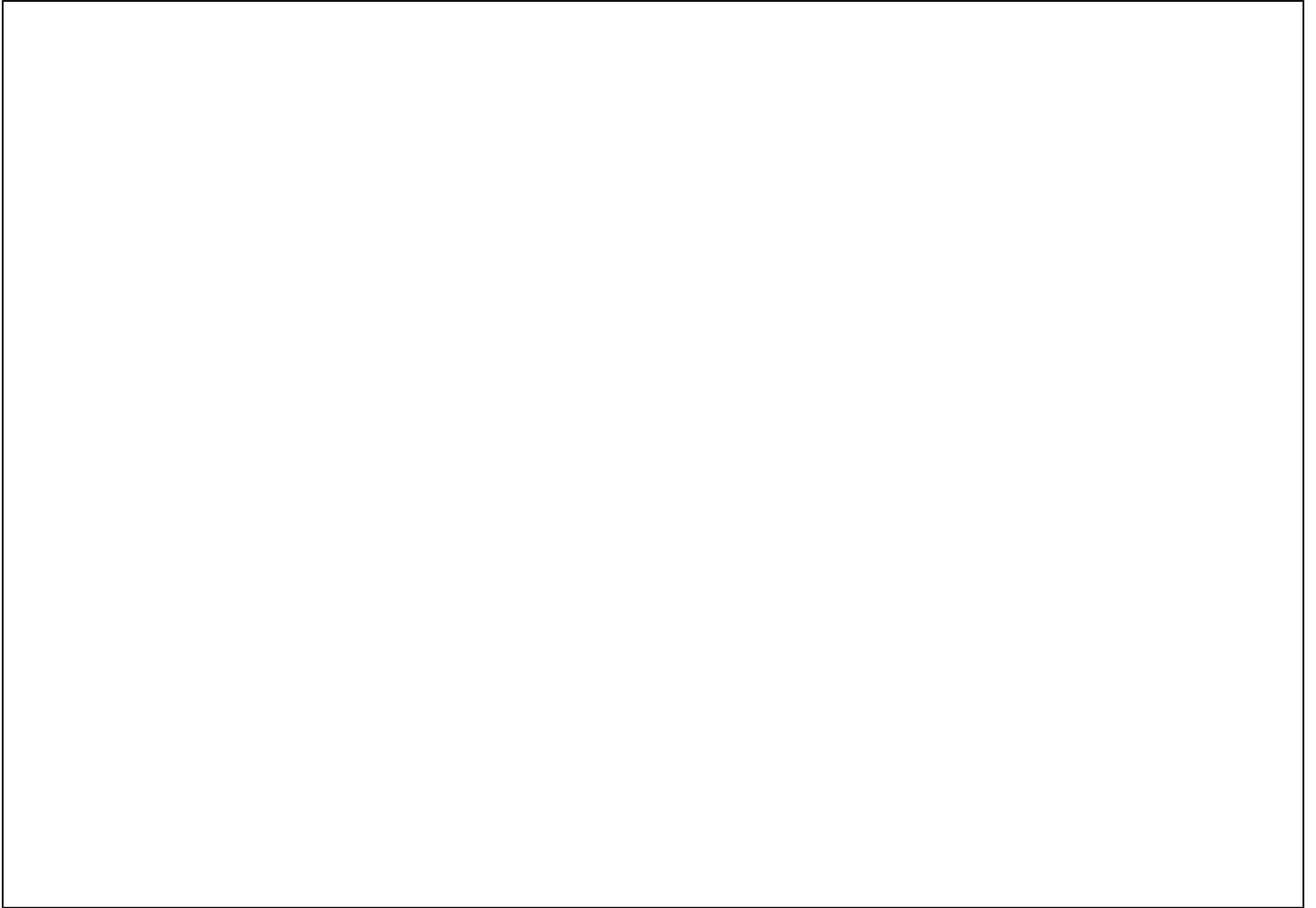
POS	PARTNUMBER		PIECE
32	50600065	SHIM 32X45X2	x
32	46811637	Shim 32,25x36x0,30	x
52	50600002	Washer 52x59x2,2	x

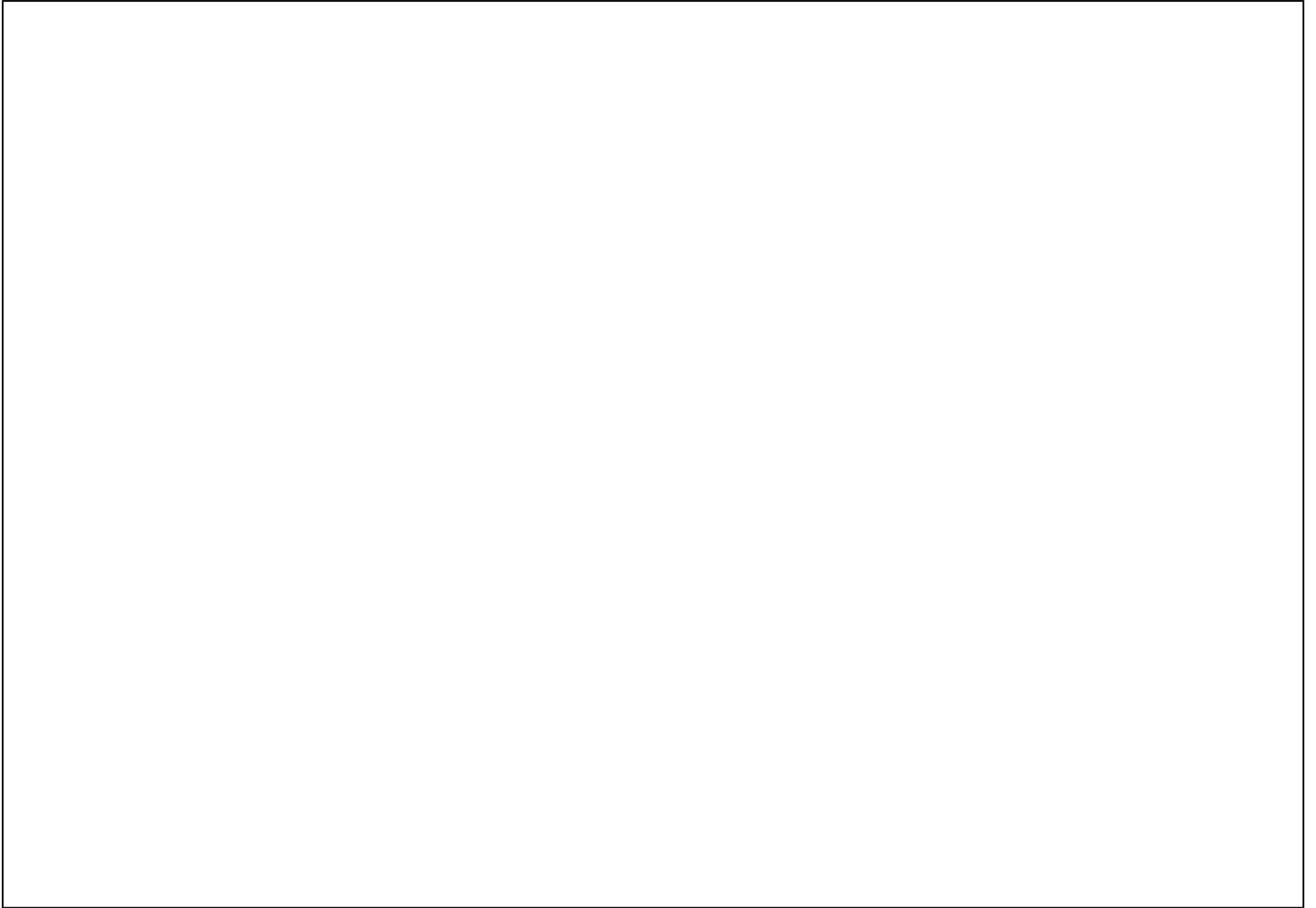
080000190

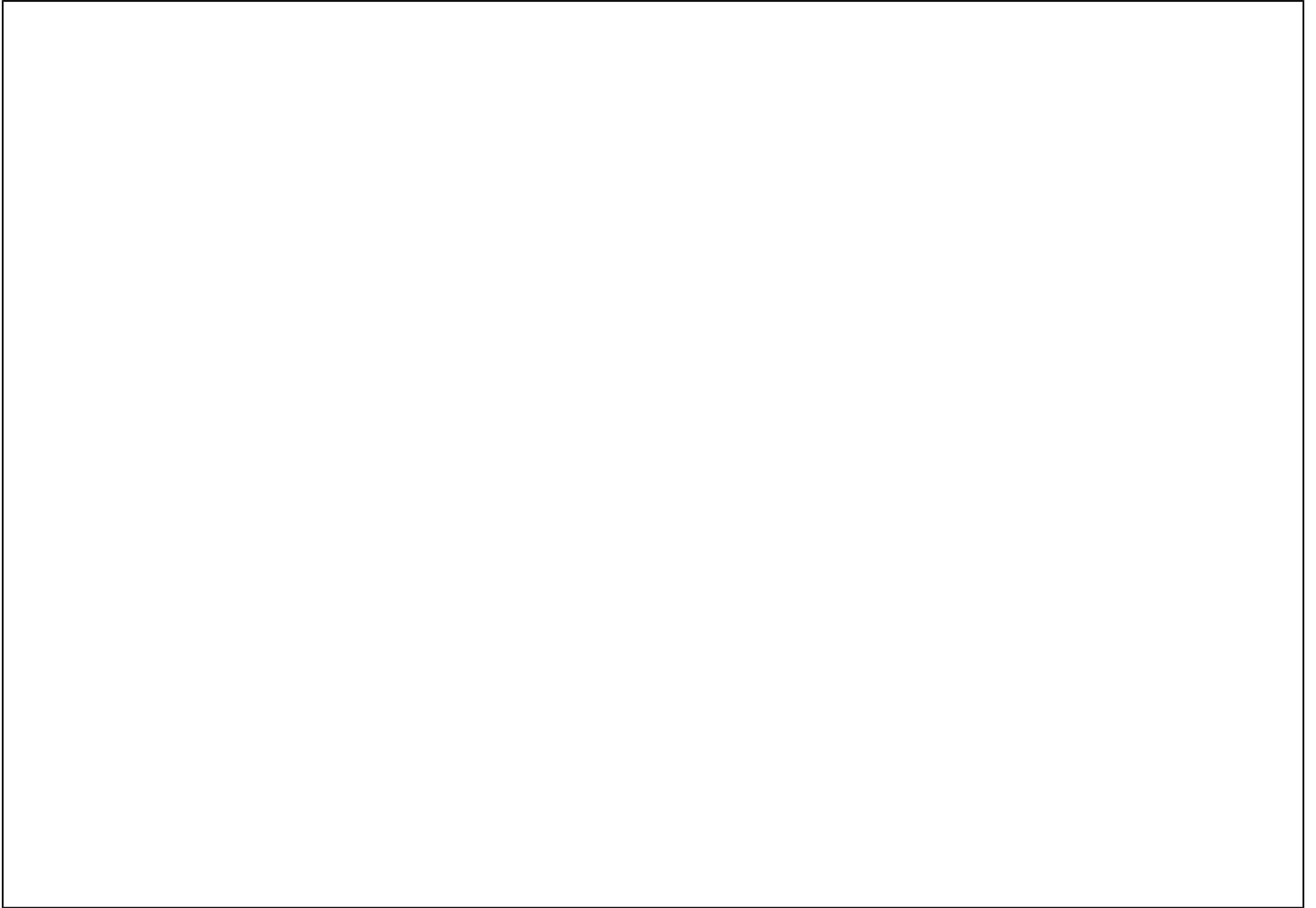
4668

* NEW PART

X ON DEMAND









02/2023

ART.-NR.F0001X8



Stallhofnerstraße 3 / 5230 Mattighofen / Austria / www.gasgas.com



Engine MC 85 2024

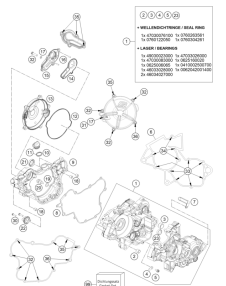
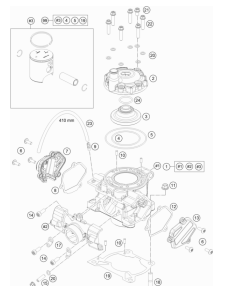
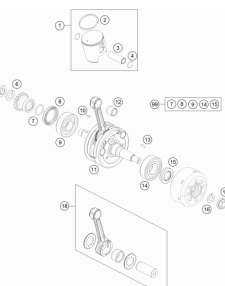
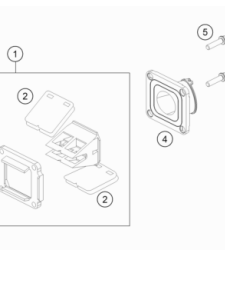
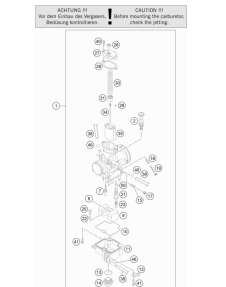
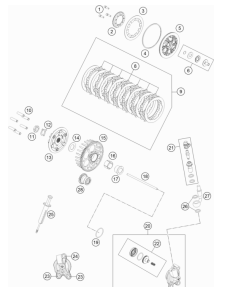

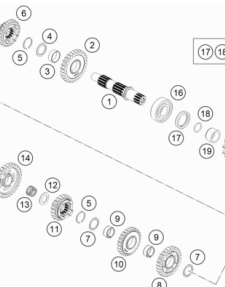

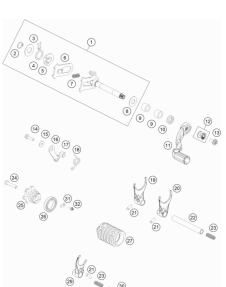
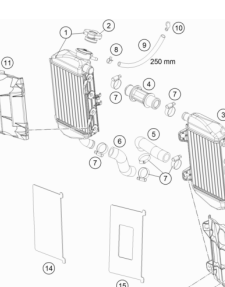
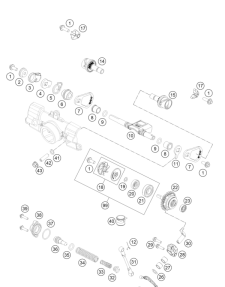
ENGINE / ART.-NR.080406X / **1994**
SPAREPARTSCATALOG

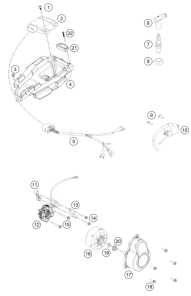
GASGAS

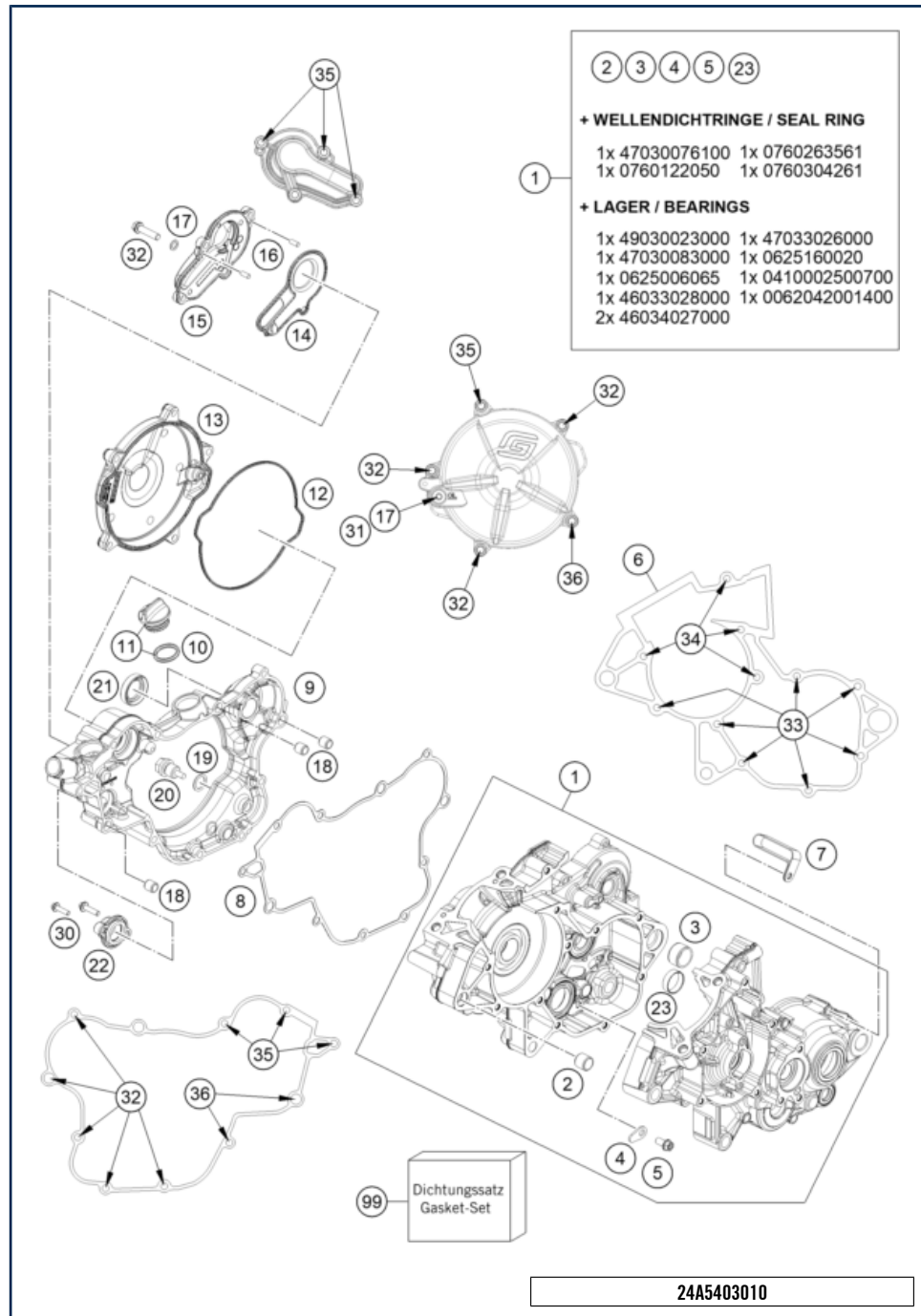


All information contained is without obligation. KTM Sportmotorcycle GmbH particularly reserves the right to modify any equipment, technical specifications, prices, colors, shapes, materials, services, service work, constructions, equipment and the like so as to adapt them to local conditions or to cancel any of the above items, all without previous announcement and without giving reasons. KTM may stop manufacturing certain models without previous notice. KTM shall not be held liable for any deviations of availability and/or ability to deliver, illustrations, descriptions, printing and/or other errors. The illustrated models partly contain extra equipment, which is not applied to standard models.

© by KTM Sportmotorcycle GmbH, Mattighofen AUSTRIA; All rights reserved; Reprint, also in extracts, with written allowance of KTM Sportmotorcycle GmbH, Mattighofen only.

<p>ENGINE CASE</p>  <p>3</p>	<p>CYLINDER</p>  <p>4</p>	<p>CRANKSHAFT, PISTON</p>  <p>5</p>	<p>REED VALVE CASE</p>  <p>6</p>
<p>CARBURETOR</p>  <p>7</p>	<p>CLUTCH</p>  <p>9</p>	<p>TRANSMISSION I - MAIN SHAFT</p>  <p>10</p>	<p>TRANSMISSION II - COUNTERSHAFT</p>  <p>11</p>
<p>KICK STARTER</p>  <p>12</p>	<p>SHIFTING MECHANISM</p>  <p>13</p>	<p>COOLING SYSTEM</p>  <p>14</p>	<p>EXHAUST CONTROL</p>  <p>15</p>

<p>IGNITION SYSTEM</p>  <p style="text-align: center;">17</p>			



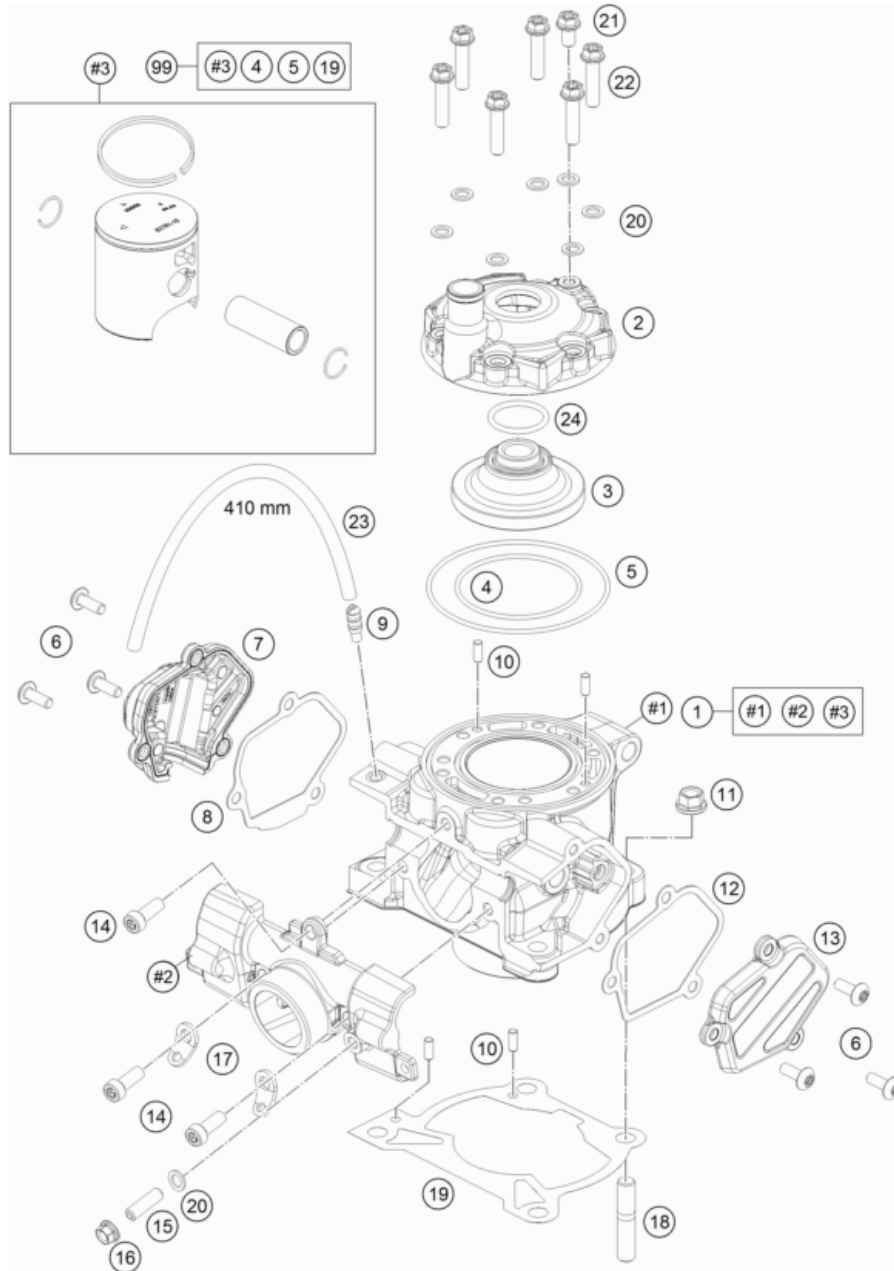
POS	PARTNUMBER	PIECE
1	47230000144	Engine case cpl. 1
2	54630027000	DOWEL BUSHING 13,8X11X12 1
3	54830027100	Dowel, 21x12 1
4	54634049000	RETAINING PLATE 2
5	0025060126S	Hex collar screw M6x12 ISA30 self-lockin 2
6	47230039000	Crankcase cover gasket 1
7	55430090000	Bracket for bleeding tube 1
8	47230025000	Gasket inner clutch cover 1
9	47230001100	Inner clutch cover 1
10	0770191015	O-RING 19,00X3,00 NBR 1
11	79430020033	OIL FILLER CAP M24x3 WITH O-R 1
12	47230027000	Clutchcover gasket 1
13	A54030226000	Outer clutch cover 1
14	47235053100	Seal with support plate 1
15	47235052000	Waterpump cover 1
16	0402040980	NEEDLE ROL.DIN5402 NRB 4X9,8 2
17	0603061001	CU-SEAL RING DIN7603-6X10X1 2
18	49030090100	DOWEL 9,8 X7X10 3
19	58038022000	CU-SEAL RING DIN7603-12X18X1,5 1
20	58030021100	oil drain plug with magnet 1
21	0760193070	SHAFT SEAL RING 19X30X7 B 1
22	54637070100	COVER LID 250-380'98 1
23	50433024050	BUSHING IDLER GEAR 1
30	0014050203	HH COLLAR SCREW M 5X20 WS=6 2
31	0025060106	HH collar screw M6x10 TX30 1
32	0025060256	HH collar screw M6x25 TX30 9
33	0025060456	HH COLLAR SCREW M6X45 TX30 7
34	0025060506	HH collar screw M6x50 TX30 4
35	0025060606	HH collar screw M6x60 TX30 4
36	0025060556	HH collar screw M6x55 TX30 2
99	47230099000	Gasket set 85 SX 2018 1

* NEW PART

X ON DEMAND

CYLINDER

Engine MC 85 2024 1994



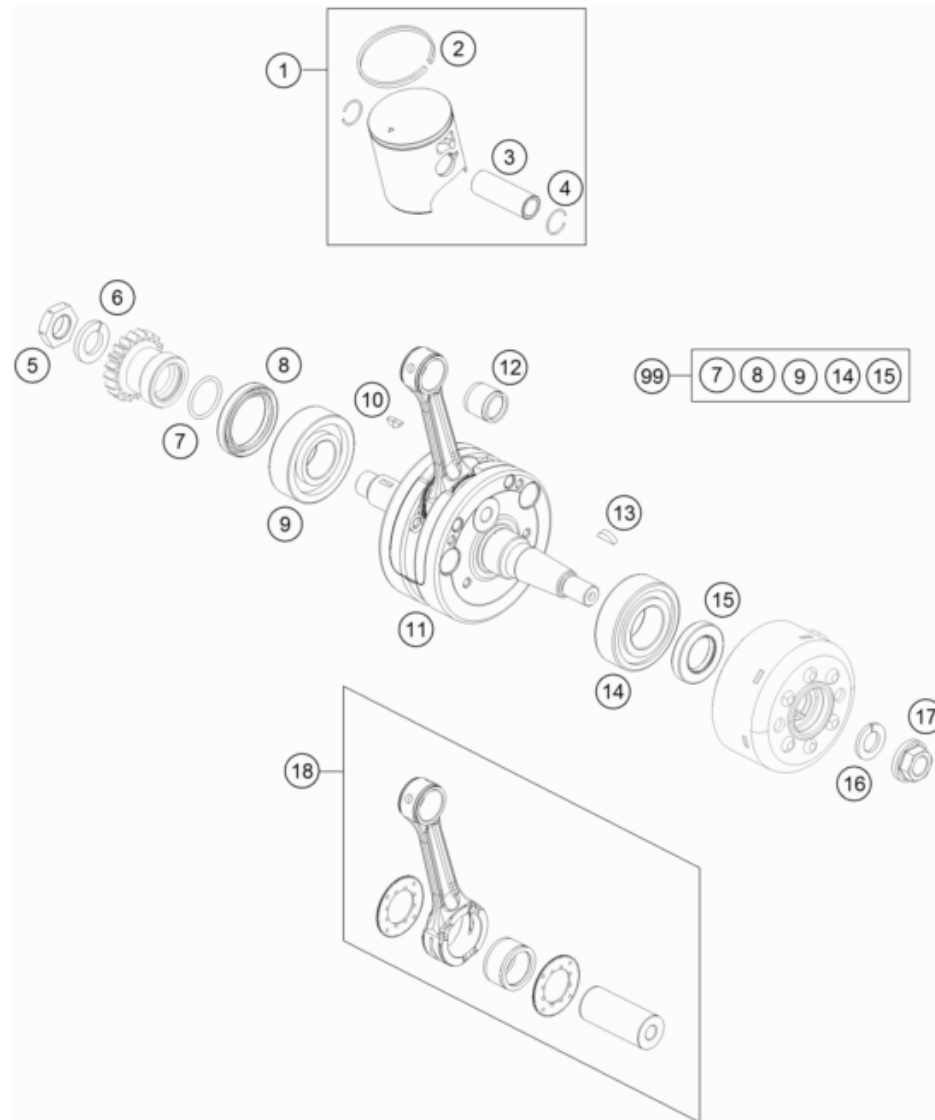
184723040

POS	PARTNUMBER		PIECE
1	47230038000	Cylinder + piston 85SX/TC85	1
2	47230006000	Cylinder head	1
3	47230060100	Combustion chamber inlay	1
4	0770540020	O-RING 54X2 VITON	1
5	0770800021	O-RING 80,00X2,00 VITON	1
6	58605083014	SCREW M5X14 TORX 25 07	6
7	4723700700033	Exhaust regulation cover rh	1
8	47237008000	Exhaust ctrl cover gasket rhs	1
9	58336020090	VACUUM CONNECTION M 6X1	1
10	0402040980	NEEDLE ROL.DIN5402 NRB 4X9,8	4
11	46030045000	flanged nut M8 WS10	4
12	47237006000	Exhaust ctrl cover gasket lhs	1
13	4723700500033	Exhaust regulation vover lh	1
14	014580060166	SHCS ISO 14580 M6x16	3
15	0913060203	THREAD PIN DIN0913-M 6X20	1
16	77336088106	COLLAR NUT M6X1 SW8	1
17	51005074000	RETAINING PLATE	2
18	0835080256	STUD DIN0835-M 8X25 10.9	4
19	47230035020	Cylinder gasket	x
19	47230035025	Cylinder gasket	x
19	47230035040	Cylinder gasket	x
19	47230035050	Cylinder gasket	x
19	47230035075	Cylinder gasket	x
20	0603061001	CU-SEAL RING DIN7603-6X10X1	8
21	0025060106	HH collar screw M6x10 TX30	1
22	0025060256	HH collar screw M6x25 TX30	6
23	50335030001	PVC-HOSE 6X9	1
24	07702300251	O-RING 23,00X2,5 NBR 70 SH	1
99	00050000247	PISTON KIT GR.I 85 SX/TC	x
99	00050000248	PISTON KIT GR.II 85 SX/TC	x

52091

* NEW PART

X ON DEMAND



POS	PARTNUMBER		PIECE
1	47230007100 I	Piston cpl. I	1
1	47230007100 II	Piston cpl. II	1
2	47030030000	PISTON RING 85 SX 2003	1
3	47230033000	Piston pin	1
4	47030074000	WIRE LOCK RING 85 SX 2003	2
5	47230029000	Nut primary drive gear	1
6	47230029014	Detent edged ring M14	1
7	0770210020	O-RING 21X2	1
8	0760304261	OIL SEAL	1
9	47030083000	BALL BEARING 22X52X15	1
10	0888030037	WOODRUFF KEY DIN6888-3X3,7	1
11	47230018100	crankshaft cpl.	1
12	47030034000	NEEDLE BEARING KBK 14X18X17 03	1
13	0888030050	WOODRUFF KEY DIN6888-3X5X13	1
14	49030023000	cylindrical roller bearing NJ205	1
15	47030076100	SEAL SHAFT RING 20X35X6 BTSL	1
16	50230029012	LOCKING RING VSK 12	1
17	49030021000	COLLAR NUT M12X1 R/S	1
18	47230015044	repair kit	1
99	00050002318	Crankshaft rep. kit 85	1

184723060

56784

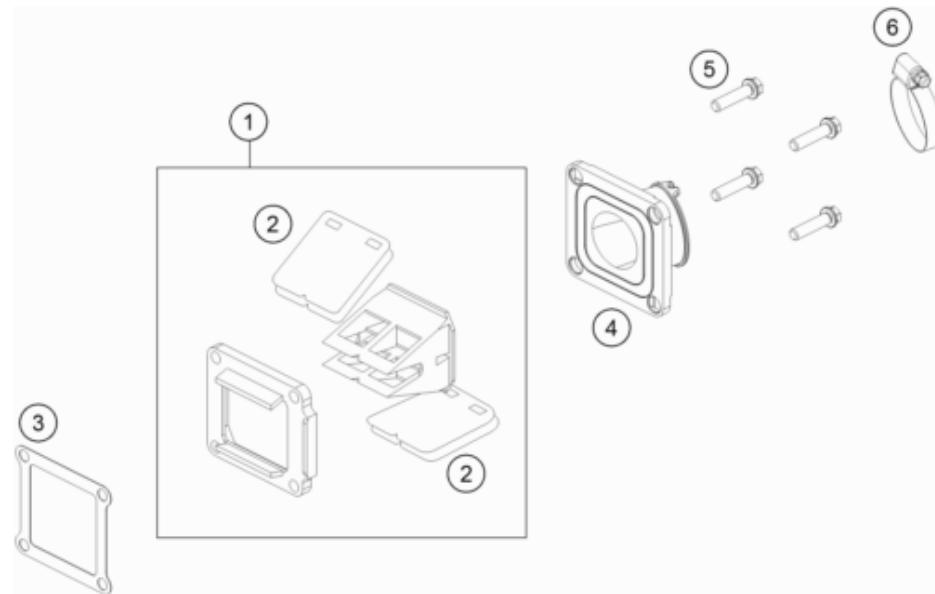
* NEW PART

X ON DEMAND

REED VALVE CASE

Engine MC 85 2024 1994

POS	PARTNUMBER		PIECE
1	47030051144	REED VALVE ASSY CPL.85 SX 2009	1
2	47030052144	REED VALVE CPL. 85 SX 2009	1
3	47230049000	Gasket reed valve	1
4	47230050000	Intake flange	1
5	0025060256	HH collar screw M6x25 TX30	4
6	51230061000	CLAMP 40/12 GEMI	1



184723070

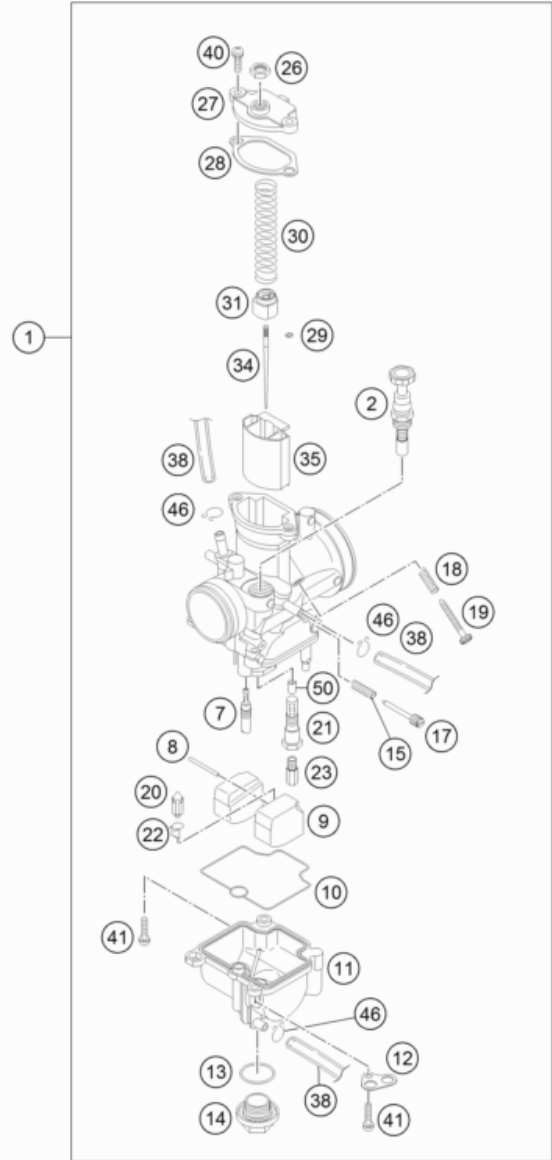
19304

* NEW PART

X ON DEMAND

ACHTUNG !!!
Vor dem Einbau des Vergasers, Bedüsung kontrollieren.

CAUTION !!!
Before mounting the carburetor, check the jetting.



187253110

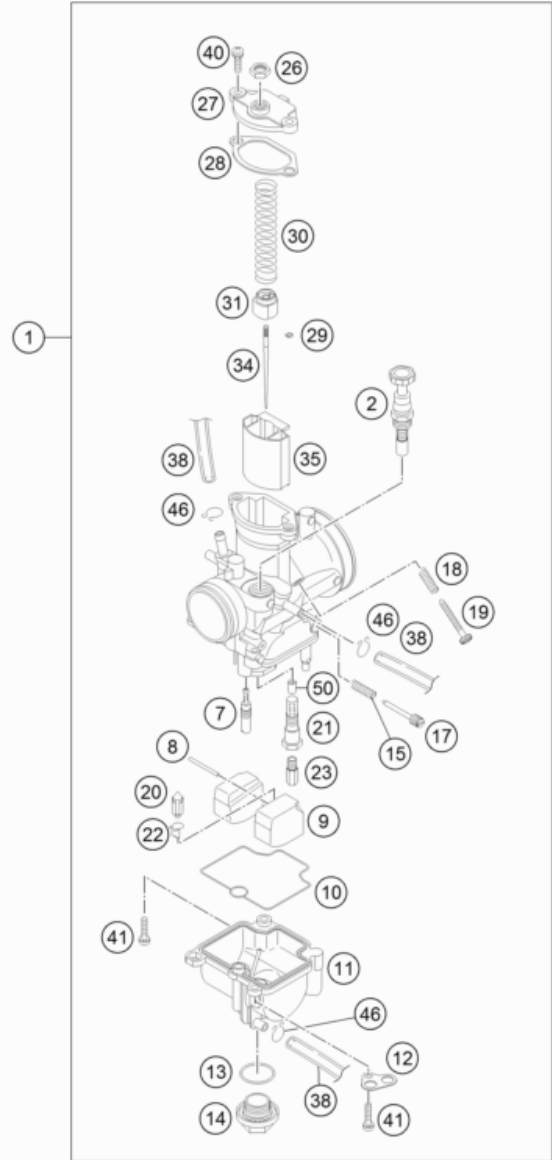
POS	PARTNUMBER		PIECE
1	47231001044	Carburetor Keihin PWK 28 18	1
2	54631245000	STARTER PISTON CPL.	1
7	54531607040	IDLE JET 40 KEIHIN	x
7	54531607042	IDLE JET 42 KEIHIN	x
7	54531607045	IDLE JET 45 KEIHIN	x
7	54531607048	IDLE JET 48 KEIHIN	1
7	54531607050	IDLE JET 50 KEIHIN	x
7	54531607052	IDLE JET 52 KEIHIN	x
8	57331008000	ARM PIN FLOAT	1
9	47031009000	FLOAT CPL. PWK28 03	1
10	47031010000	FLOAT CHAMBER GASKET	1
11	72531011000	FLOAT CHAMBER COMP. ASSY	1
12	54531612100	RETAINING PLATE FOR BLEEDER	2
13	0770180230	O-RING 18,00X2,30 NBR 70	1
14	54531699000	PLUG M 18X1	1
15	54531615000	SPRING FOR ADJUSTMENT SCREW	1
17	54531617000	ADJUSTMENT SCREW	1
18	54631118000	SPRING	1
19	54631219100	ADJUSTMENT SCREW M 5	1
20	47031020000	FLOAT NEEDLE CPL.	1
21	72531022000	NEEDLE JET HOLDER 14	1
22	54531621000	CLAMP	1
23	54531623138	Main Jet 138 Keihin	x
23	54531623140	MAIN JET GR 140	x
23	54531623142	MAIN JET 142 KEIHIN	1
23	54531623145	Main jet 145	x
23	54531623148	MAIN JET 148 KEIHIN	x
23	54531623150	MAIN JET 150 KEIHIN	x
23	54531623152	MAIN JET 152 KEIHIN	x
26	52031126000	HEXAGON NUT M 6X0,75 DIN0439	1
27	47031027000	CARBURETOR COVER PWK28 03	1
28	47031028000	CARBURETOR COVER GASKET PWK28	1
29	54531629000	CLIP FOR JET NEEDLE	1
30	47031030000	THROTTLE VALVE SPRING	1
31	47031031000	SPRING CAP	1
34	47231034000	Jet needle Keihin NRKA	x
34	47231034100	Jet needle Keihin NRKB	x
34	47231034200	Jet Needle Keihin NRKC	1

47990

* NEW PART X ON DEMAND

ACHTUNG !!!
Vor dem Einbau des Vergasers, Bedüsung kontrollieren.

CAUTION !!!
Before mounting the carburetor, check the jetting.



187253110

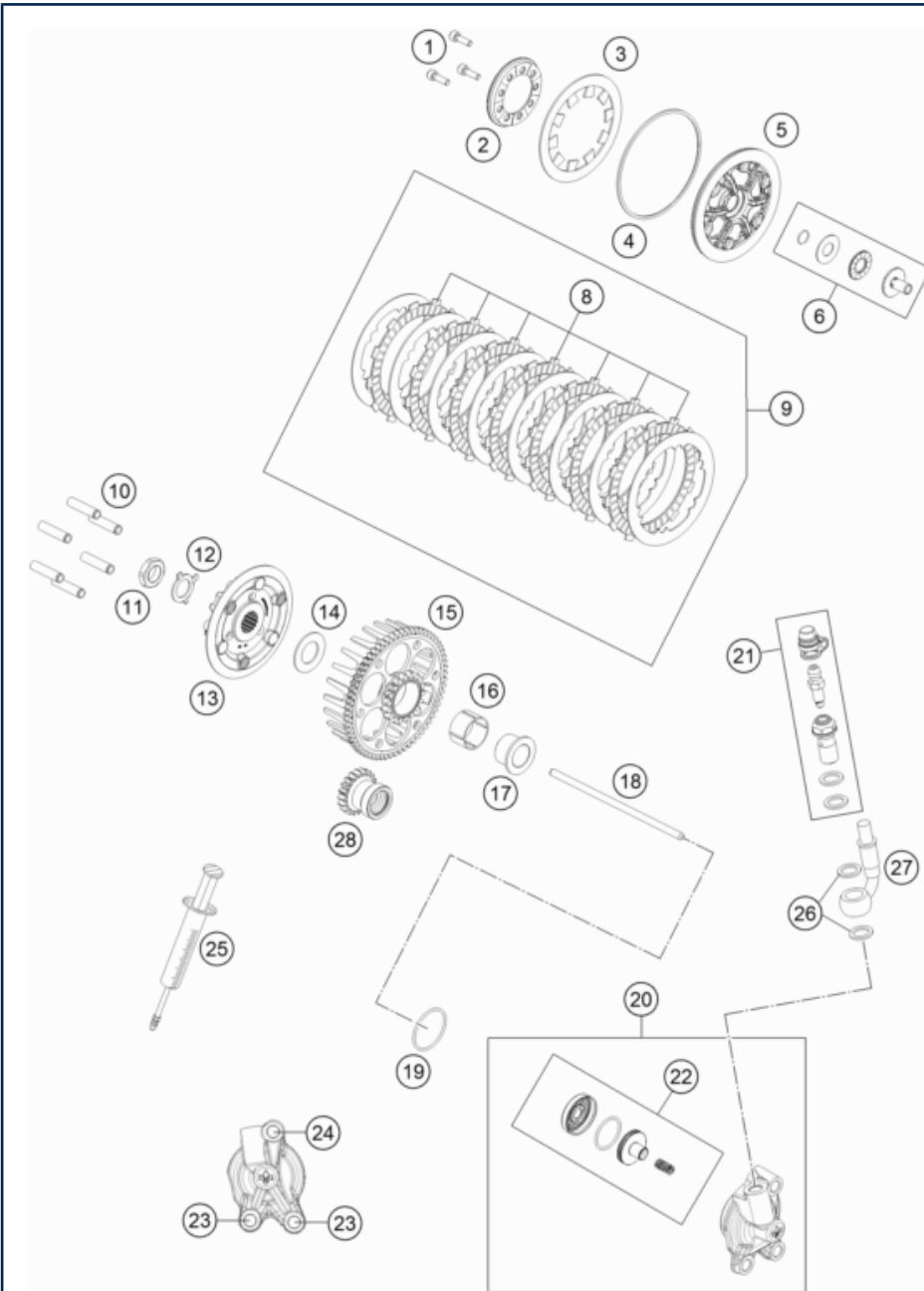
POS	PARTNUMBER		PIECE
34	47231034300	Jet needle Keihin NRKD	x
34	47231034400	Jet needle Keihin NRKE	x
34	47231134000	Jet needle Keihin NRJA	x
34	47231134100	Jet needle Keihin NRJB	x
34	47231134200	Jet needle Keihin NRJC	x
34	47231134300	Jet needle Keihin NRJD	x
34	47231134400	Jet needle Keihin NRJE	x
34	54531636012	"Jet needle Keihin ""NRJC"""	x
35	47231035000	"Throttle Valve ""3.0"" Keihin"	1
38	31007007101	PVC-HOSE 4X6MM	2
40	0016040163	HH COLLAR SCREW M 4X16 WS=6	2
41	0985040163	FLAT HEAD SCREW DIN7985-M 4X16	2
46	54531696000	CLAMP 6 MM	5
50	47231021000	Needle Jet	1

47990

* NEW PART X ON DEMAND

CLUTCH

Engine MC 85 2024 1994



POS	PARTNUMBER		PIECE
1	0912050163	AH SCREW DIN0912-M 5X16	3
2	47232006100	Spring retainer	1
3	47232005000	Clutch spring 58x97.1x1.5	1
4	47232013000	Inner ring 94x99x1.5	1
5	47232003100	Clutch pressure plate	1
6	78132057144	PRESSURE PIECE CPL.	1
8	47232011000	lining disc 1,95mm	7
9	47232010033	disc pack	1
10	50532004100	Sleeve 7.95x31.65	6
11	47232019000	Hexagon nut M16x1,5	1
12	47232018100	Lock washer	1
13	47232102100	Inner clutch hub	1
14	47232017000	Support disk	1
15	47232001164	clutch basket	1
16	0405263017	Needle cage K263017	1
17	47232015000	Collar 20x26x19	1
18	47232054000	Rod	1
19	0770300015	O-RING 30,00X1,50 NBR 70	1
20	72132061044	Output cylinder cpl.	1
21	72032064000	BLEEDER SCREW CPL.	1
22	72032066000	PISTON CPL.	1
23	0025060166	HH collar screw M6x16 TX30	2
24	0025060256	HH collar screw M6x25 TX30	1
25	50329050000	VENT INJEKTION HYDR. CLUTCH	1
26	0603082121	SEAL RING CU DIN7603- 8X12X1	2
27	47232063000	85cc. clutch hose	1
28	47232023020	Gear primary drive	1

194723210

59771

* NEW PART

X ON DEMAND



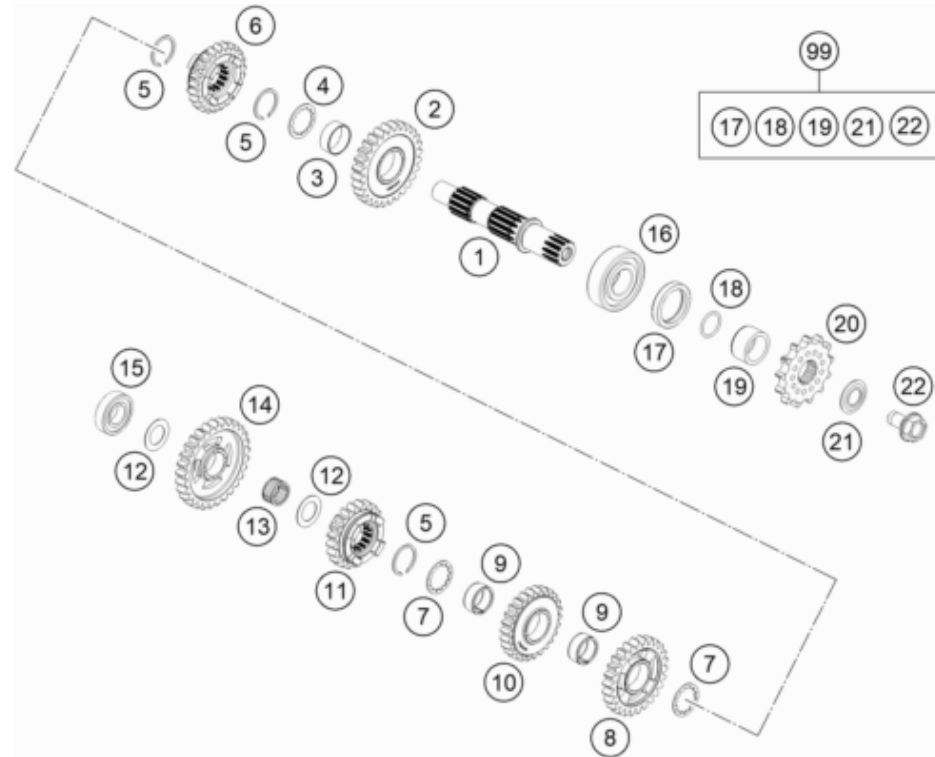
POS	PARTNUMBER		PIECE
1	46033028000	GROOVED BALL BEARING 20X42X12	1
2	54634049000	RETAINING PLATE	1
3	0025060126	HH collar screw M6x12 TX30	1
4	47233001050	Input shaft	1
5	50133099000	NEEDLE CAGE K18X22X10 PARTED	2
6	47233006000	Idler gear 6 th.	1
7	47233043000	thrust washer 19.1x24.5x1	1
8	0417200120	CIRCLIP WS20	2
9	47233003000	Sliding gear 3 rd.	1
10	47233042000	thrust washer 19.1x24.5x1	1
11	47233005000	Idler gear 5 th.	1
12	47233002000	Fixed gear 2nd	1
13	47133041000	Thrust washer 16.1x26x0,5	1
14	47033026000	BALL BEARING 16X35X8	1

184723330

19318

* NEW PART

X ON DEMAND



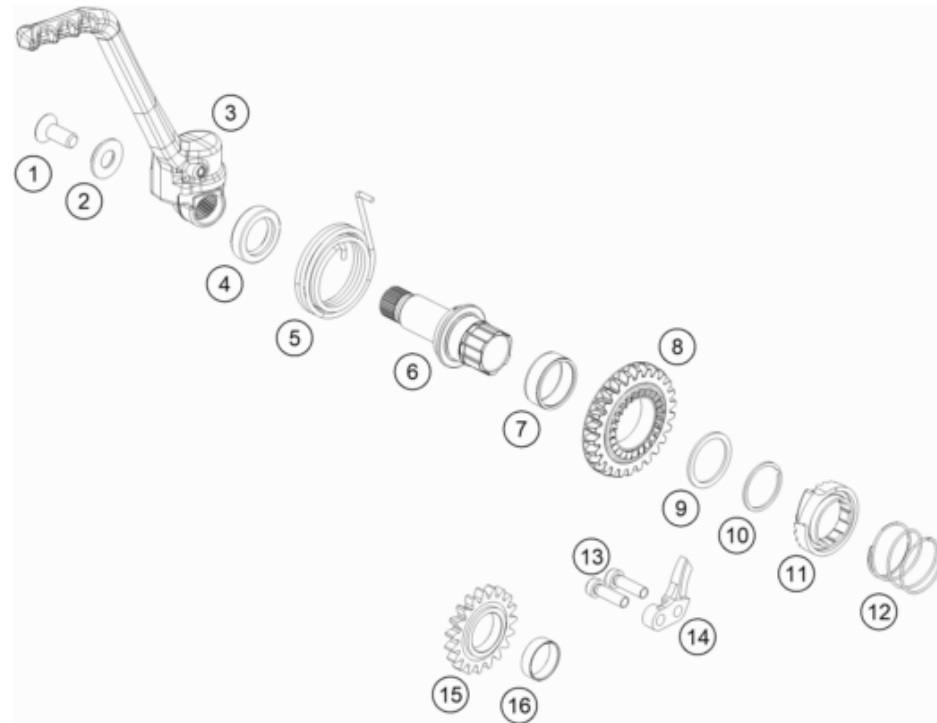
POS	PARTNUMBER		PIECE
1	47233010150	Countershaft	1
2	47233012000	Idler gear 2 nd.	1
3	47233021000	Bushing idler gear	1
4	47233041000	Thrust washer 19.2x27.1x1	1
5	0417210120	CIRCLIP SW21	2
6	47233015000	Sliding gear 5 th.	1
7	47233040000	Thrust washer 22x1.50x13x9H	2
8	47233013000	Idler gear 3 rd.	1
9	50133099000	NEEDLE CAGE K18X22X10 PARTED	2
10	47233014000	idler gear 4 th.	1
11	47233016000	sliding gear 6 th.	1
12	47133043000	Thrust washer 15.2x25x0.5	2
13	47033099000	NEEDLE BEARING K15X19X10S	1
14	47233011000	Idler gear 1 st.	1
15	0625160020	BALL BEARING 16002 C3	1
16	0062042001400	Grooved ball bearing	1
17	0760263561	SHAFT SEAL RING 26X35X6BSL NB	1
18	0770020180	O-RING 18,77X1,78 NBR 70	1
19	47233030000	Spacer chain pinion	1
20	47233029013	Sprocket 13t	1
21	47233034000	Spring washer 17,2x35x1,5	1
22	59033029000	HH COLLAR SCREW M10X18 10.9	1
99	00050000990	Repair kit output shaft 85	1

204723360

62484

* NEW PART

X ON DEMAND



POS	PARTNUMBER		PIECE
1	0019080206S	FLAT HEAD SCREW M. ISA45 M8X20	1
2	54633037000	WASHER 8MM GALVANIZED	1
3	47233070044	Kick starter cpl.	1
4	0760193070	SHAFT SEAL RING 19X30X7 B	1
5	50433054200	Kick-starter spring	1
6	79233050000	KICK STARTER SHAFT	1
7	0405252910	NEEDLE BEAR K 25X29X10	1
8	50533051026	Kickstart gear t26	1
9	54833044000	STOP DISC 25X31X1,5	1
10	0417025000	CIRCLIP SW25	1
11	50433052000	KICK STARTER RATCHET	1
12	58033028000	RATCHET GEAR SPRING 1,2 MM	1
13	014580060206S	Cyl. screw ISO 14580 M6x20 SS	2
14	59033069000	BUMP PART	1
15	50533053119	Starter idler gear 19 Z	1
16	50433024050	BUSHING IDLER GEAR	1

194723390

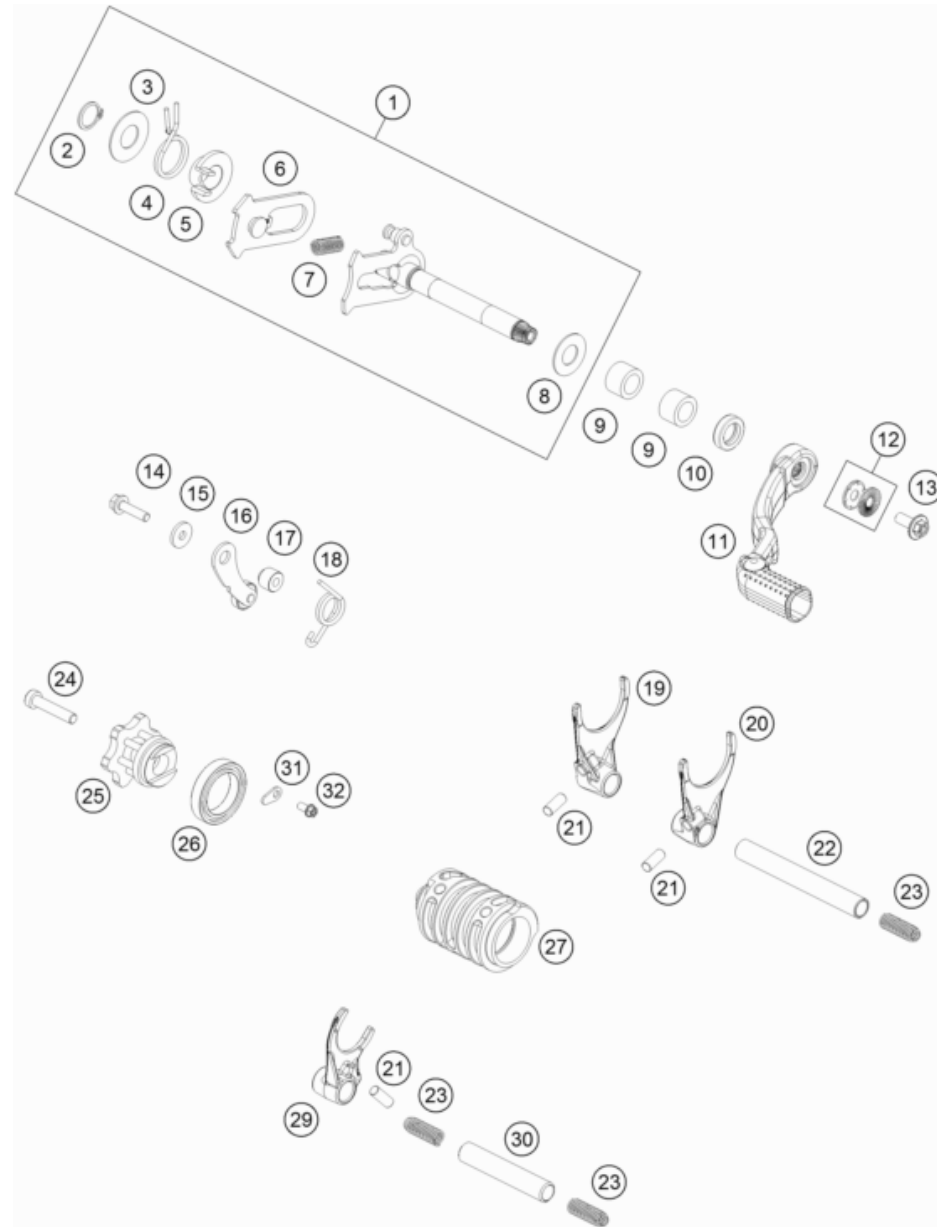
52089

* NEW PART

X ON DEMAND

SHIFTING MECHANISM

Engine MC 85 2024 1994



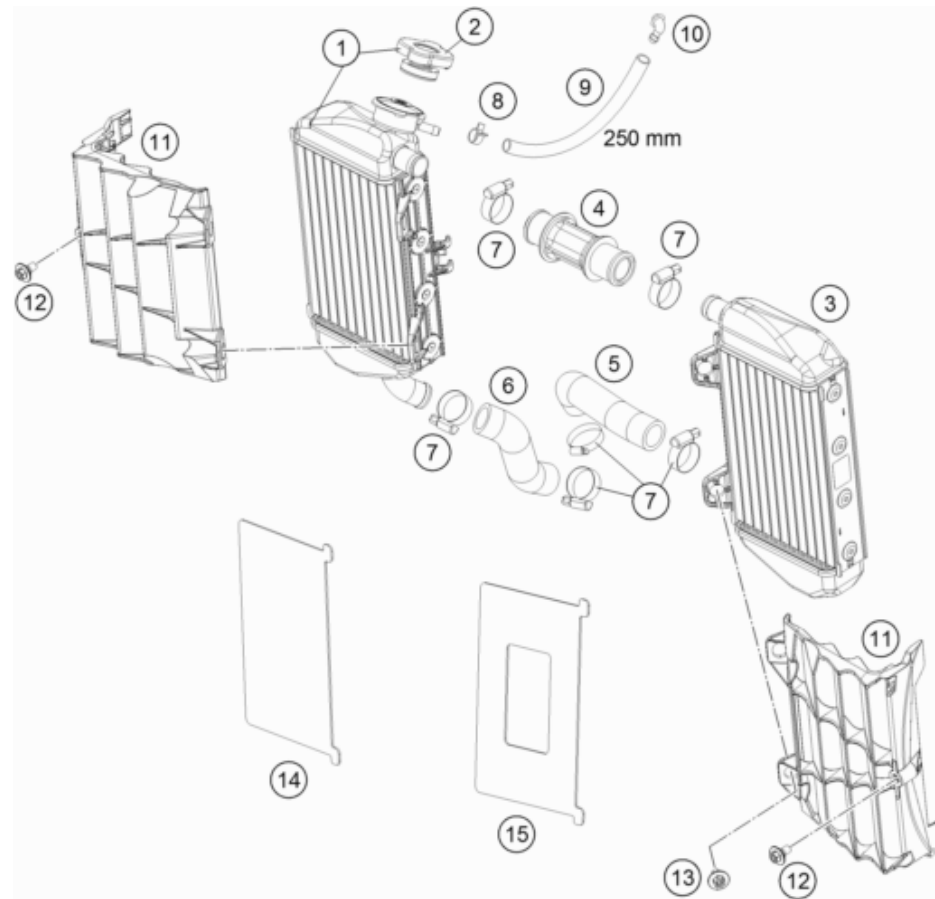
POS	PARTNUMBER		PIECE
1	47234005044	Shift shaft cpl.	1
2	0471140100	retaining ring DIN 471 14x1	1
3	54634050000	STOP DISK 14X30X1	1
4	54834014000	RETURN SPRING 03	1
5	54634020000	SPRING GUIDE	1
6	79234008144	SLIDING PLATE CPL.	1
7	56534013100	TENSIONING SPRING 0,8MM	1
8	49033013000	STOP DISK 12,1X25X1	1
9	46034027000	NEEDLE BEARING 12X18X12 2002	2
10	0760122050	SHAFT SEAL RING 12X20X5 B	1
11	50434031000	SHIFT LEVER CPL.	1
12	50233041500	PAIR NORDLOCK WASHER M6	1
13	0024060156S	HH collar screw M6x15 TX30	1
14	0025050206S	Hex collar screw, M5x20 ISA30 SS	1
15	0349000050	WASHER DIN7349-5X15X2	1
16	55434024000	LOCKING LEVER CPL.	1
17	54634052300	SLEEVE FOR LOCKING LEVER	1
18	50334023000	LOCATING LEVER SPRING 2,5MM'98	1
19	47234002000	Shift fork 1.-4. gear	1
20	47234003000	Shift fork 2.-3. gear	1
21	0402061480	NEEDLE ROLLER DIN5402 6X14,8	3
22	47234019000	Shift rail 11.8x80x8mm	1
23	58038023400	Compression spring L=25mm D=0.9mm	3
24	0012060303S	Cap head screw M6x30-8.8	1
25	79234015100	Shift star cpl	1
26	0625618050	BALL BEARING 61805 C3	1
27	47234012044	Shift drum cpl.	1
29	47234001000	Shift fork 5.-6. gear	1
30	46234020000	SHIFTING RAIL MAIN SHAFT	1
31	54634049000	RETAINING PLATE	1
32	0025060126	HH collar screw M6x12 TX30	1

194723410

62488

* NEW PART

X ON DEMAND



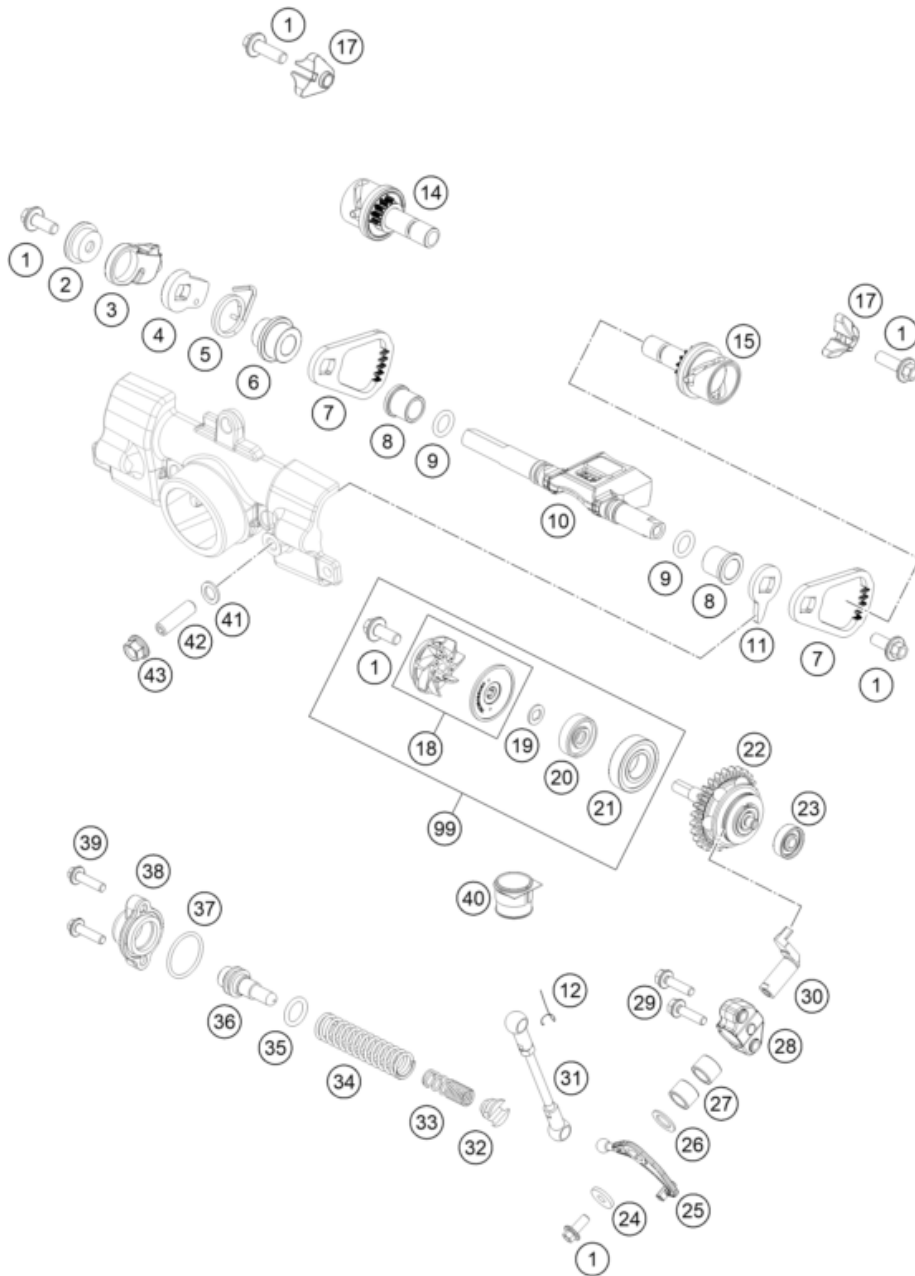
POS	PARTNUMBER		PIECE
1	47235008000	Radiator right	1
2	79035016000	RADIATOR CAP 1,8 BAR	1
3	47235007000	Radiator left	1
4	47235025000	Radiator connector top	1
5	47235026000	Preformed hose engine	1
6	47235027000	Preformed hose water pump	1
7	10001020300	hose clamp 18-29	6
8	59007017000	CLAMP YDNAC 10096F (9,6MM)	1
9	50335030001	PVC-HOSE 6X9	x
10	51030022000	ANGLE PIECE 90 DEGREE M10X1	1
11	47235034000	Radiator protection	2
12	83008000012	special screw M6x12x3	2
13	0900000601203	HH ISR collar screw M6x12-10.9 ISA30	4
14	47235033000	Radiator cover full	1
15	47235033100	Radiator cover half	1

184723530

62501

* NEW PART

X ON DEMAND



POS	PARTNUMBER		PIECE
1	0000140501200S	Hex collar screw M 5x12 SW=6	6
2	47237068000	Bearing bush	1
3	47237077000	adjusting lever	1
4	47237036000	Attachment plate	1
5	47237066000	Overload spring	1
6	47237076000	Distance bush	1
7	47237067000	Gear segment	2
8	47237023000	Exhaust flap bushing	2
9	0770080201	O-Ring 8,00x2,0 viton	2
10	47237020000	Exhaust valve	1
11	47237085000	Limit plate	1
12	50237195055	SECURING DIN-71805-S-8	2
14	47237065033	Control valve, right cpl.	1
15	47237064033	Control valve, left cpl.	1
17	47237079000	guide piece	2
18	79235055044	WATER PUMP WHEEL CPL.	1
19	50435049000	PREFORMED WASHER	1
20	0760082472	SHAFT SEAL RING 8X24X7 A DUO	1
21	0625160020	BALL BEARING 16002 C3	1
22	47237050144	Centrifugal force governor cpl.	1
23	0625006065	Ball bearing 696 DDM1 C3	1
24	0349000050	WASHER DIN7349-5X15X2	1
25	47237056100	Power valve control lever	1
26	0988101605	SHIM WASHER DIN988 10x16x0,5	1
27	0618101410	needle sleeve HK 1010 10x14x10	2
28	55437058000	BEARING SUPPORT	1
29	0025050256S	HH collar screw M5x25 TX30	2
30	47237057000	Adjusting lever 85/105	1
31	47237095044	Linkage cpl.	1
32	54637071200	SPRING INSERT	1
33	50437069050	SUPPORT SPRING	1
34	47237072000	Setting spring	1
35	0770021120	O-RING 12,37X2,62 NBR70	1
36	54837075200	Spring thrust bearing	1
37	0770240020	O-RING 24,00X2,00 NBR70	1
38	54637070300	Closing cover 250-360	1
39	0014050203	HH COLLAR SCREW M 5X20 WS=6	2
40	47237091000	Sealing element	1

244723710

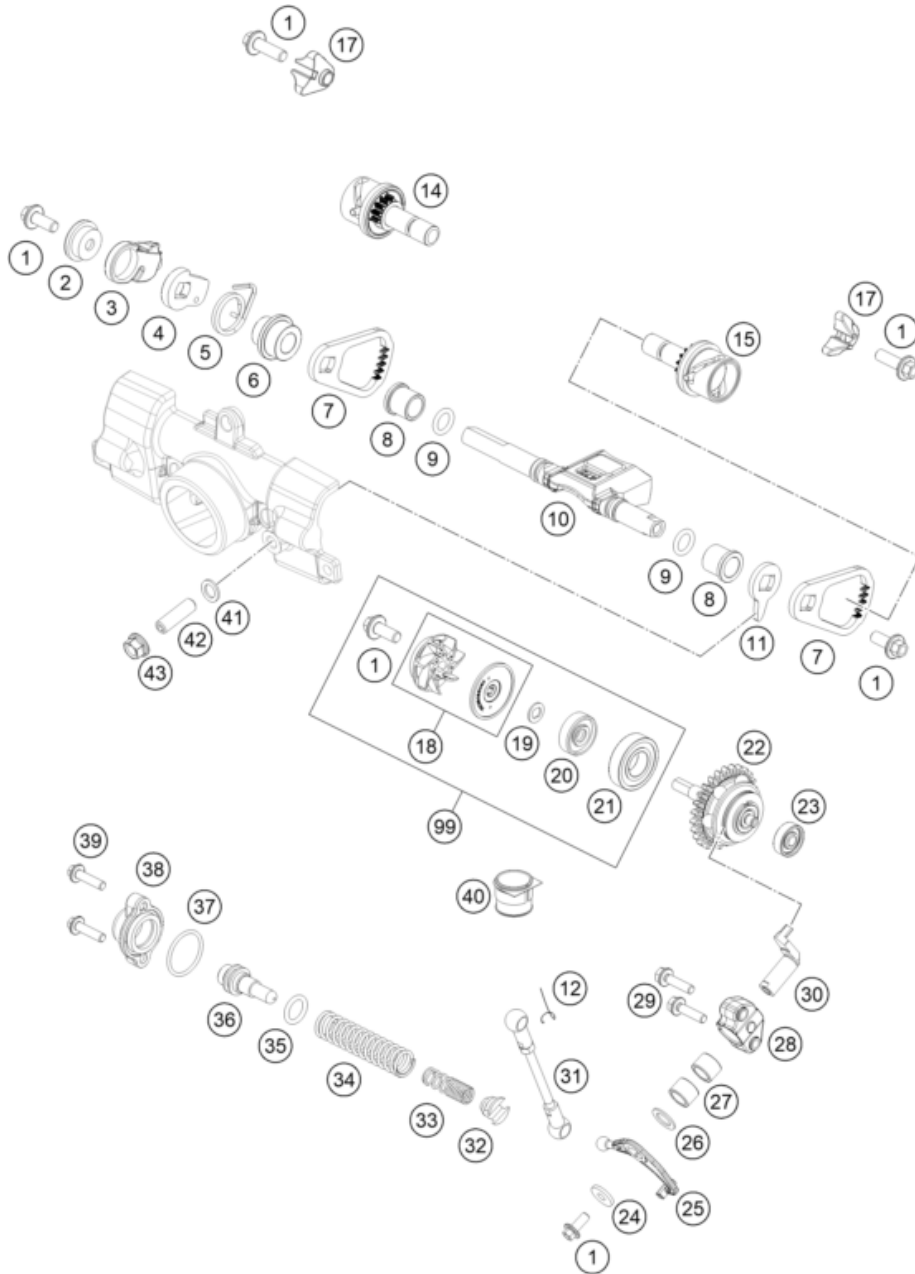
62486

* NEW PART

X ON DEMAND

EXHAUST CONTROL

Engine MC 85 2024 1994



POS	PARTNUMBER		PIECE
41	0603061001	CU-SEAL RING DIN7603-6X10X1	1
42	0913060203	THREAD PIN DIN0913-M 6X20	1
43	77336088106	COLLAR NUT M6X1 SW8	1
99	50435055015	WATER PUMP REP. KIT	1

244723710

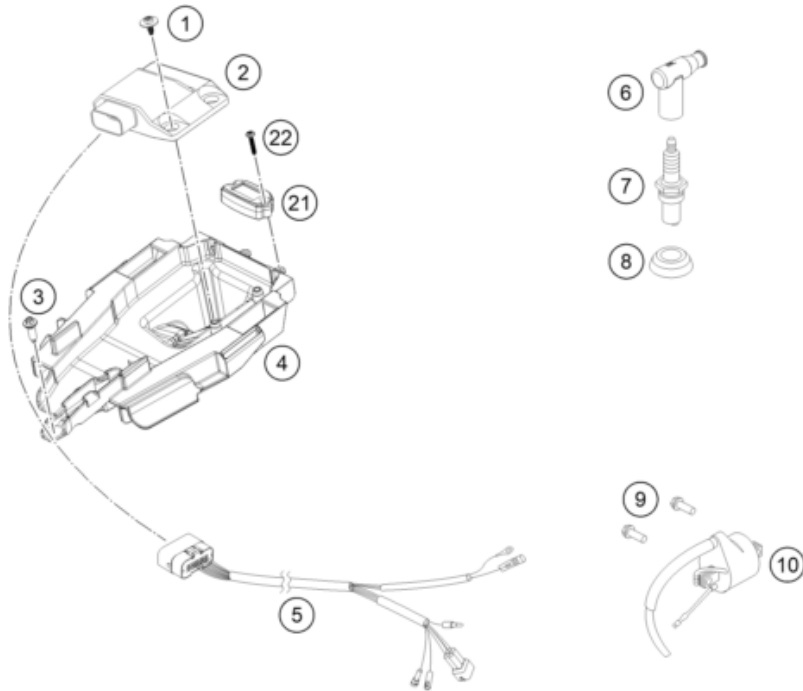
62486

* NEW PART

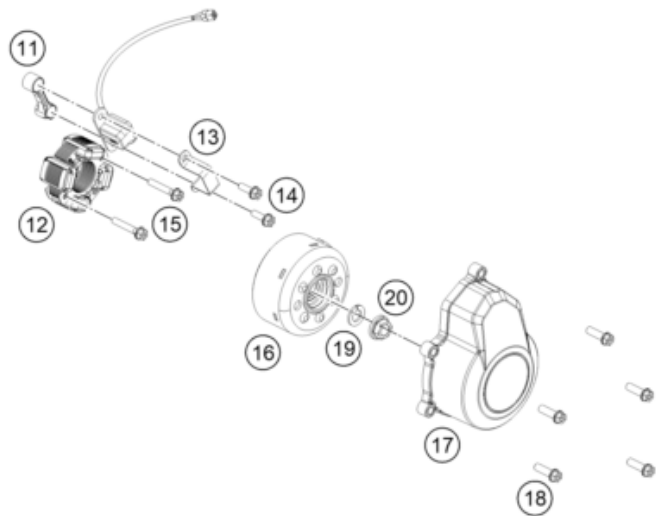
X ON DEMAND

IGNITION SYSTEM

Engine MC 85 2024 1994



POS	PARTNUMBER		PIECE
1	0081645121	EJOT DELTA PT SCREW 45X12-Z	2
2	47239031100	CDI control unit 85SX	1
3	0017060205	SCREW FOR PLASTIC K60X20 SW6	1
4	47211094000	Electric compartment	1
5	54839032200	WIRING HARNESS FOR CDI 2-ST.07	1
6	47039190000	Spark plug connector	1
7	51539093000	SPARK PLUG	1
8	50439091000	SEALING SLEEVE	1
9	0026060186	COLLAR SCREW M6X18 ISA30	2
10	59039006000	IGNITIONCOIL "IG5128"	1
11	50439013000	DISTANCE UNIT	1
12	50439004000	STATOR	1
13	50439004010	PICKUP BRACKET	1
14	0014050163S	Hex collar screw M 5x16 SW=6	2
15	0012050253S	Bolt DIN 6912 - M5x25 SS	2
16	50439005000	ROTOR	1
17	47230602000	Ignitioncover	1
18	0025060206	HH collar screw M6x20 TX30	5
19	50230029012	LOCKING RING VSK 12	1
20	49030021000	COLLAR NUT M12X1 R/S	1
21	78112020050	HOUR METER	1
22	0081035183	Ejot delta PT screw 35X18	2

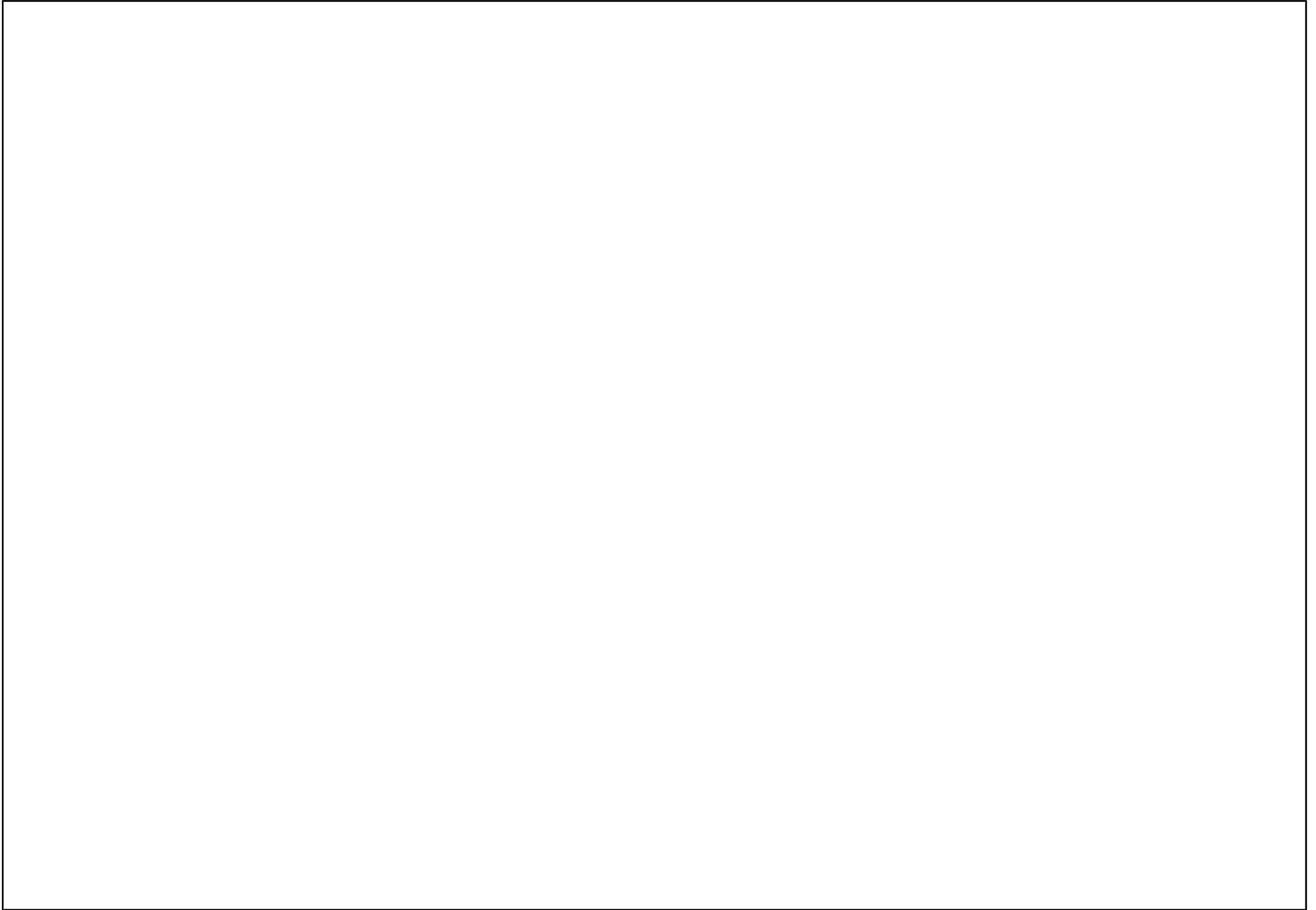


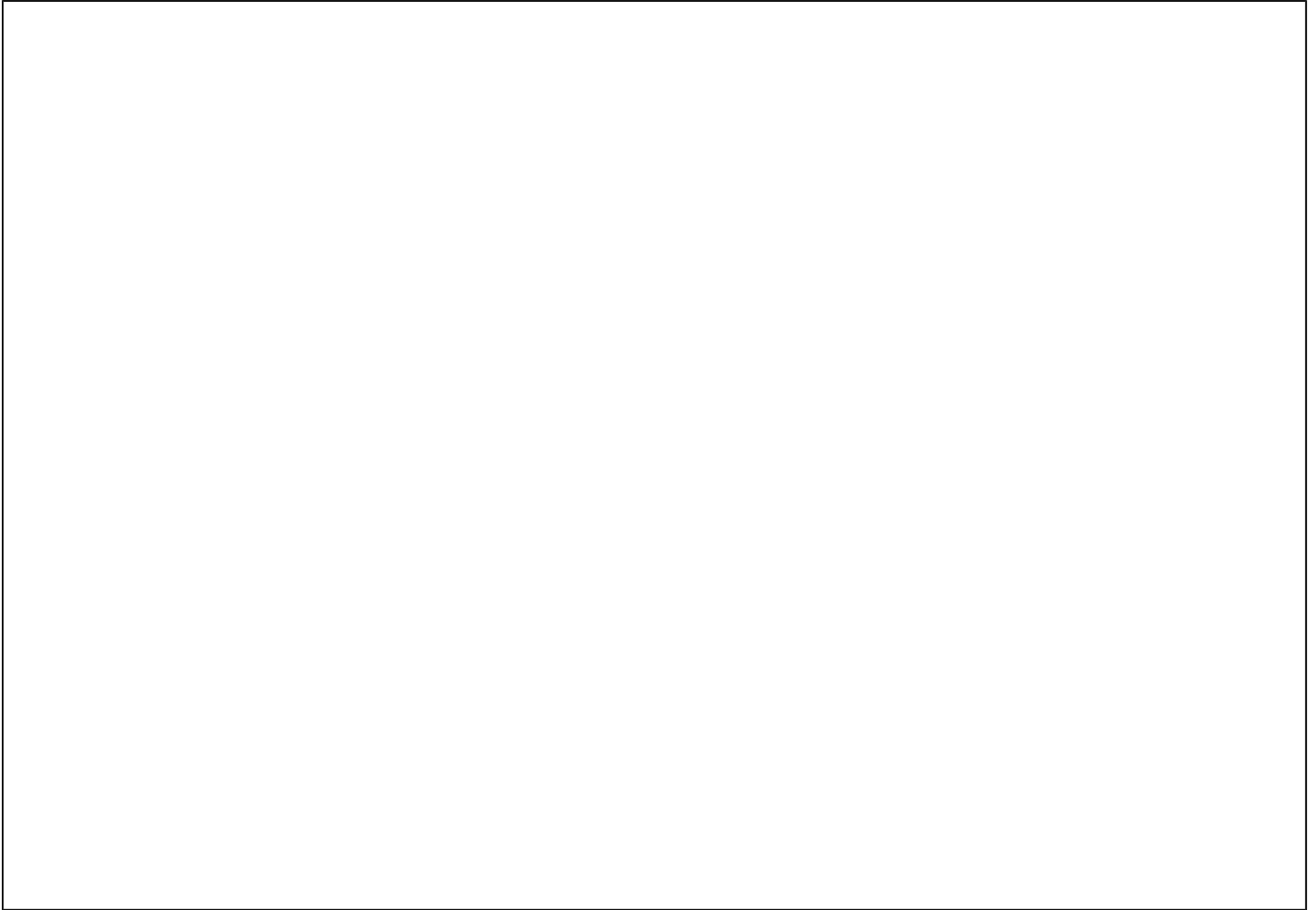
24A5403910

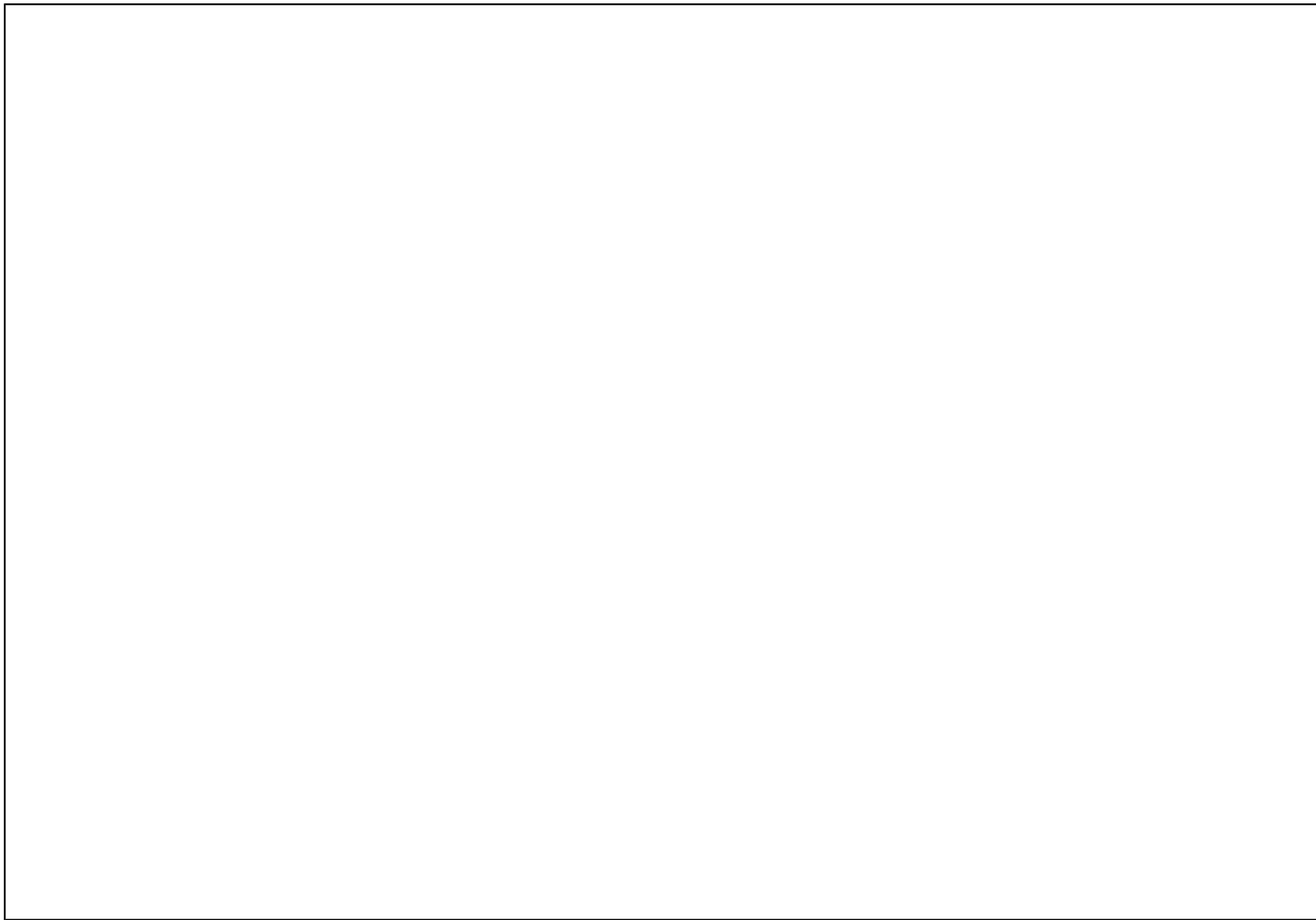
62613

* NEW PART

X ON DEMAND









02/2023

ART.-NR.080406X



Stallhofnerstraße 3 / 5230 Mattighofen / Austria / www.gasgas.com