



MC 65

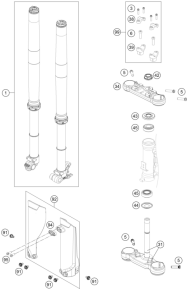
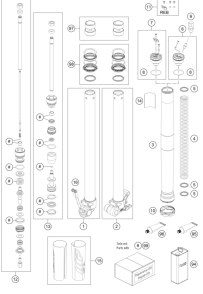
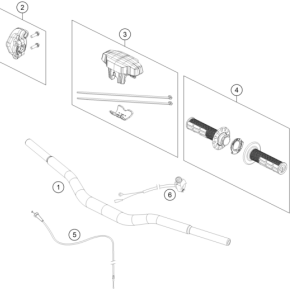
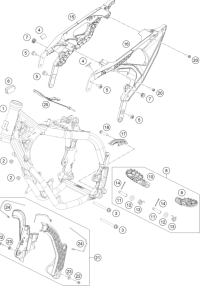
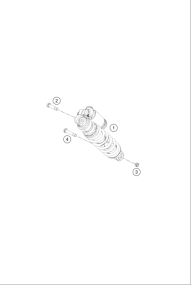
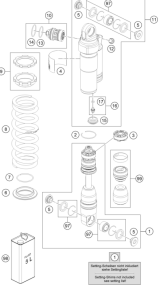
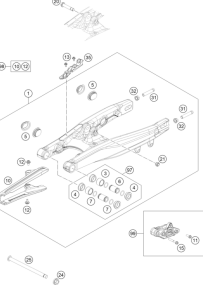
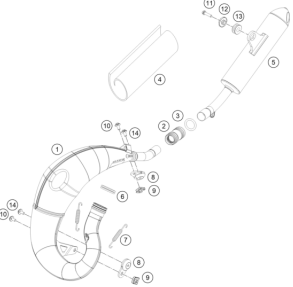
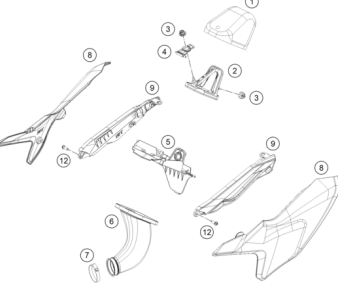
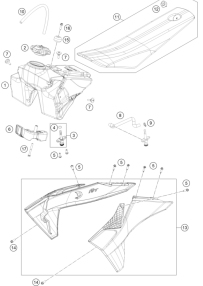
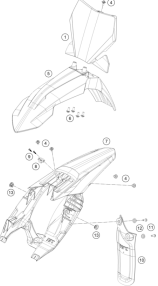
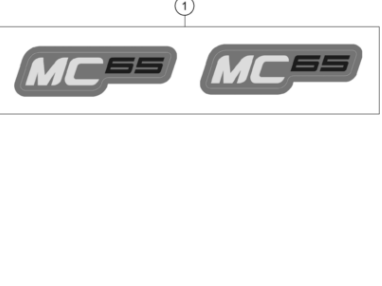
CHASSIS / ART.-NR.F0001X6 / **2024**
SPAREPARTSCATALOG

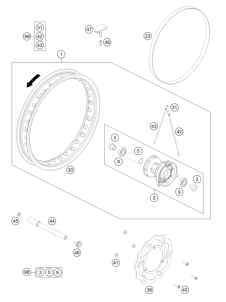
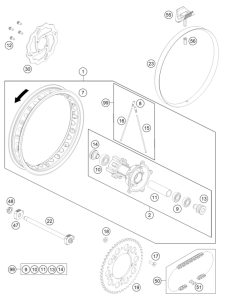
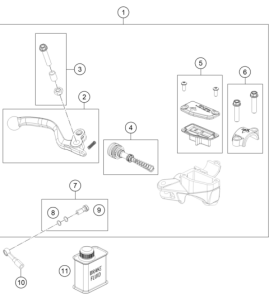
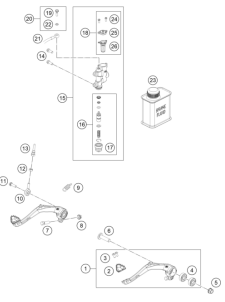
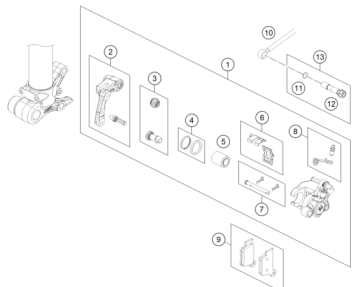
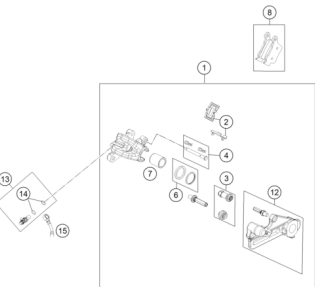
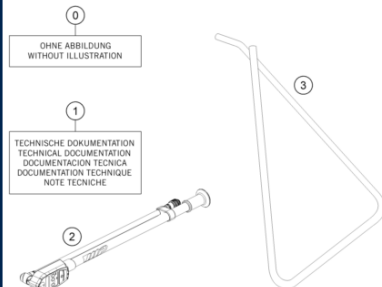
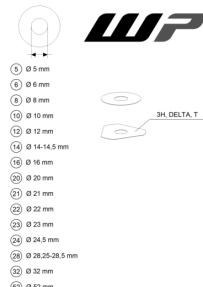
GASGAS

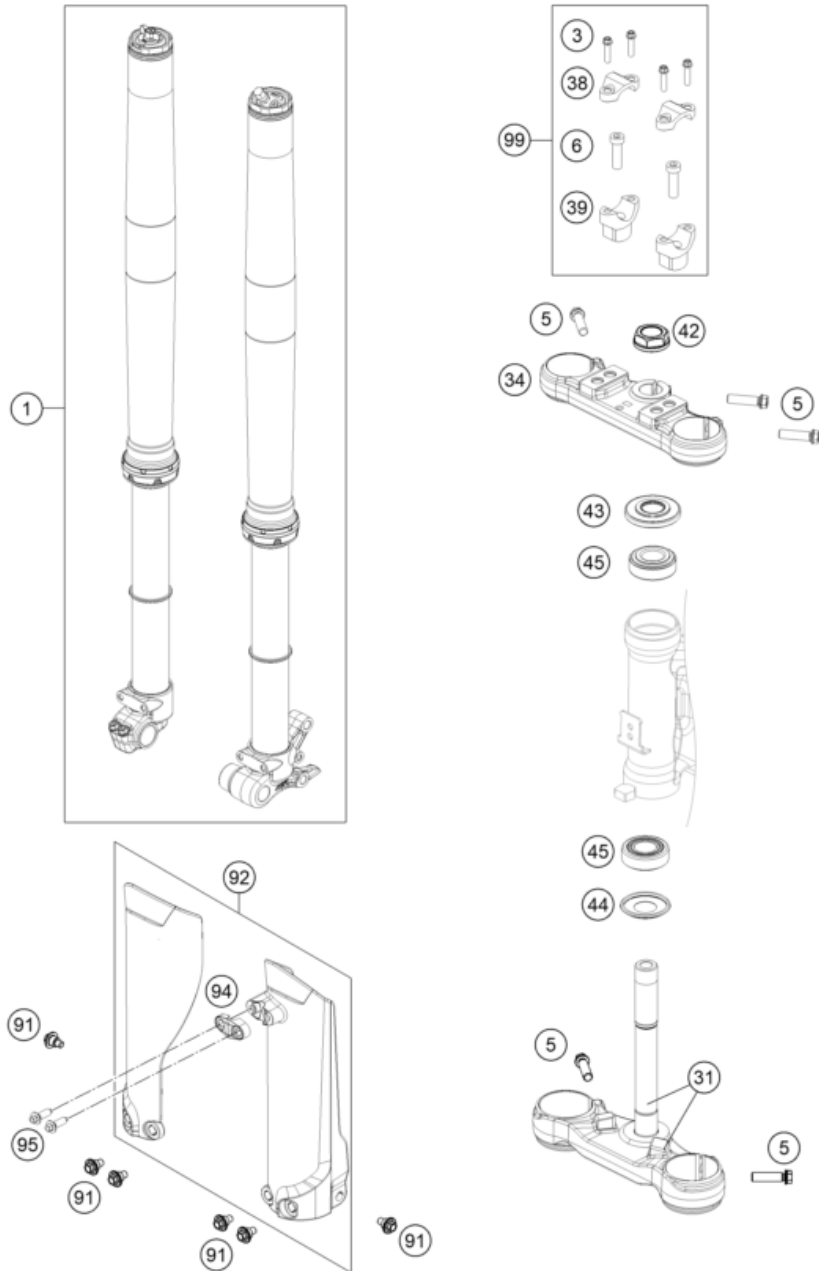


All information contained is without obligation. KTM Sportmotorcycle GmbH particularly reserves the right to modify any equipment, technical specifications, prices, colors, shapes, materials, services, service work, constructions, equipment and the like so as to adapt them to local conditions or to cancel any of the above items, all without previous announcement and without giving reasons. KTM may stop manufacturing certain models without previous notice. KTM shall not be held liable for any deviations of availability and/or ability to deliver, illustrations, descriptions, printing and/or other errors. The illustrated models partly contain extra equipment, which is not applied to standard models.

© by KTM Sportmotorcycle GmbH, Mattighofen AUSTRIA; All rights reserved; Reprint, also in extracts, with written allowance of KTM Sportmotorcycle GmbH, Mattighofen only.

<p>FRONT FORK, TRIPLE CLAMP</p>  <p style="text-align: right;">3</p>	<p>FRONT FORK DISASSEMBLED</p>  <p style="text-align: right;">4</p>	<p>HANDLEBAR, CONTROLS</p>  <p style="text-align: right;">5</p>	<p>FRAME</p>  <p style="text-align: right;">6</p>
<p>SHOCK ABSORBER</p>  <p style="text-align: right;">7</p>	<p>SHOCK ABSORBER DISASSEMBLED</p>  <p style="text-align: right;">8</p>	<p>SWING ARM</p>  <p style="text-align: right;">9</p>	<p>EXHAUST SYSTEM</p>  <p style="text-align: right;">10</p>
<p>AIR FILTER</p>  <p style="text-align: right;">11</p>	<p>TANK, SEAT</p>  <p style="text-align: right;">12</p>	<p>MASK, FENDERS</p>  <p style="text-align: right;">13</p>	<p>DECAL</p>  <p style="text-align: right;">14</p>

<p>FRONT WHEEL</p>  <p style="text-align: right;">15</p>	<p>REAR WHEEL</p>  <p style="text-align: right;">16</p>	<p>FRONT BRAKE CONTROL</p>  <p style="text-align: right;">17</p>	<p>REAR BRAKE CONTROL</p>  <p style="text-align: right;">18</p>
<p>FRONT BRAKE CALIPER</p>  <p style="text-align: right;">19</p>	<p>REAR BRAKE CALIPER</p>  <p style="text-align: right;">20</p>	<p>SEPERATE ENCLOSURE</p>  <p style="text-align: right;">21</p>	<p>WP SHIMS FOR SETTING</p>  <p style="text-align: right;">22</p>
Empty cell	Empty cell	Empty cell	Empty cell



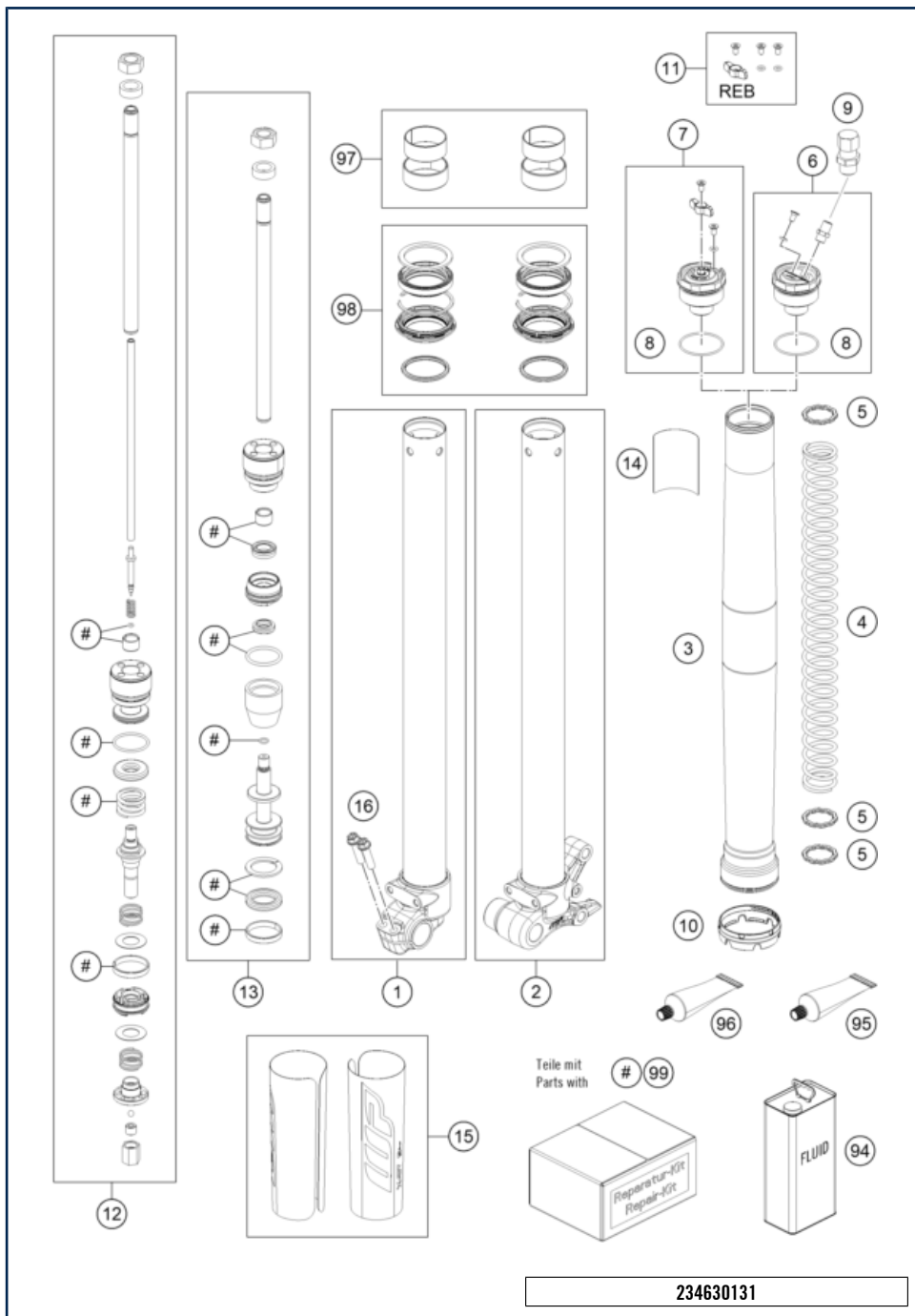
POS	PARTNUMBER		PIECE
1	A405C103W106000	Fork 65 SX/TC/MC 23	1
3	0025080256	HH collar screw M8x25	4
5	0025080306	HH collar screw M8x30	5
6	0032100356S	AH-COLLAR SCREW M10X35 ISA45	2
31	46301032022	Triple clamp bottom compl.	1
34	45301034122	upper triple clamp	1
38	77201038000	HANDLEBAR CLAMP 28MM	2
39	59401039037	HANDLEB.SUPP. D=28MM H=37MM 05	2
42	59030029000	HH NUT M20X1,5 WS=27 RIGHT	1
43	0780000304400	Steering head seal	1
44	A53501084000	Steering head seal	1
45	49001081000	TAPERED ROLLER BEARING 32004X	2
91	59001092050	SPECIAL SCREW M6X12,5 WS=8	6
92	46301094000FB	Fork protection kit MC 50/65 2021 with Decal	1
94	46301085000FB	Clamp for brake hose	1
95	0017060206	SCREW F. PLASTIC K60X20AL SW6	2
99	00050000921	HANDLEBAR SUPPORT KIT D28/H37	1

24A4050110

68562

* NEW PART

X ON DEMAND

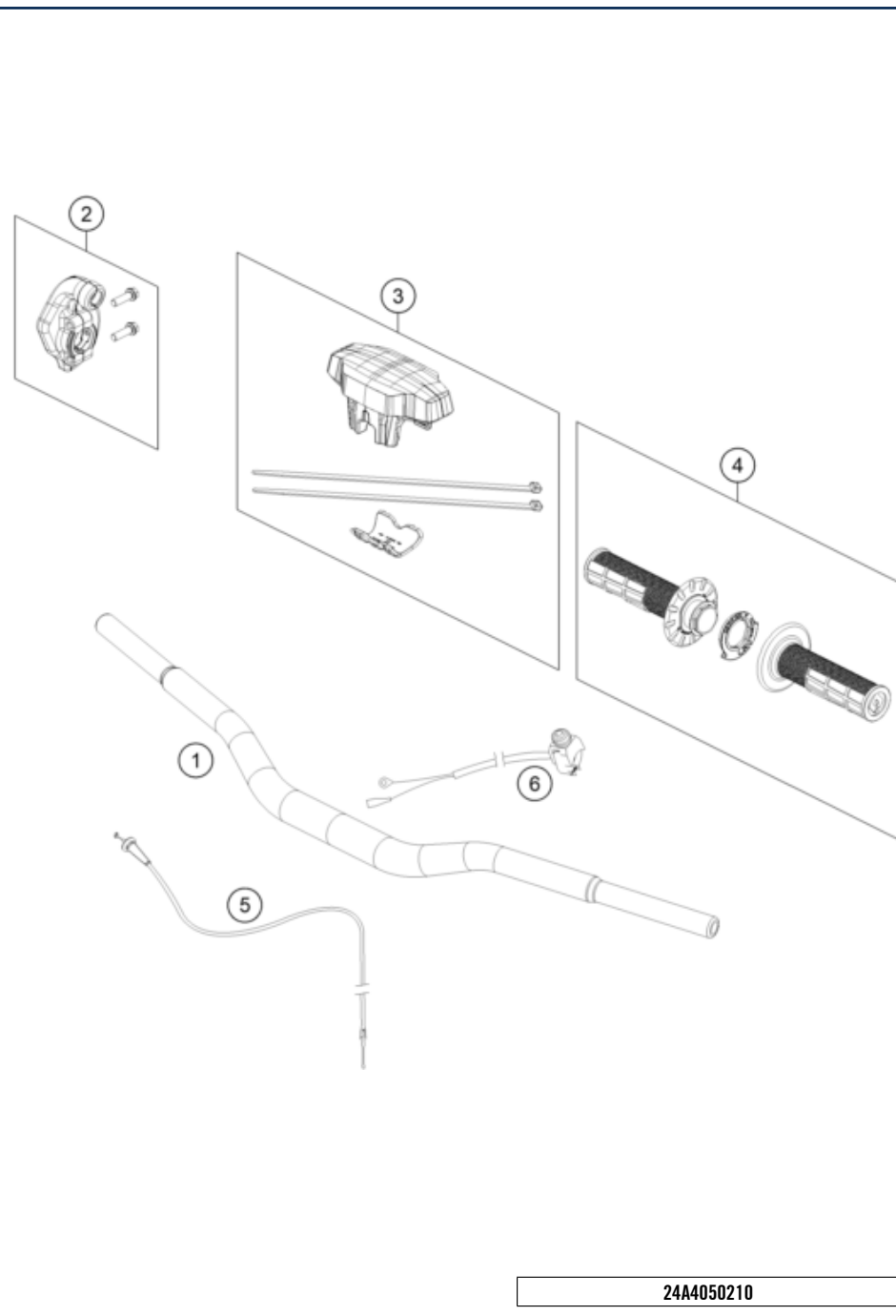


POS	PARTNUMBER		PIECE
1	S443500003S0100	Axle-clamp right cpl. 65SX	1
2	S443500000S0100	Axle-clamp left cpl. 65SX	1
3	35480586	Fork outer tube 36x465 dt42 db47	2
4	95010044S	SPRING 2,8N/MM D3,6 SET	1
4	95010057S	SPRING 3,0 N/MM SET	x
5	35480497	Washer 22x30x2,5	3
6	35480599S	Screw cap M38x1,5 air d42 cpl.	1
7	35480600S	Screw cap M38x1,5 d42 cpl.	1
8	46180581	O-ring 35x1,5 NBR70 yellow	2
9	48601494S	VALVE M8X1 INCL. SCREW CAP	1
10	35480623	Fork protection ring 48,4mm	2
11	RP10021	Adjuster kit screw cap	1
12	35480546S3	Piston rod cpl. right	1
13	35480546S4	Piston rod cpl. left	1
14	52000314	Sticker warning 60x40	1
15	52000227SET	Sticker set XACT AER 142x171	1
16	0025060256	HH collar screw M6x25 TX30	2
94	48601166S1	Fork Fluid Viscosity 4.0 5L	x
95	T14034	Fuchs grease IPR (250g)	x
96	00062010053	special grease AER Fork 400g	x
97	RP10006	BUSHING KIT 35MM	x
98	RP10027T	gasket kit 35mm black	x
99	RP10008	REPAIR KIT 50+65SX AIR 2017	x

234630131

58353

* NEW PART X ON DEMAND



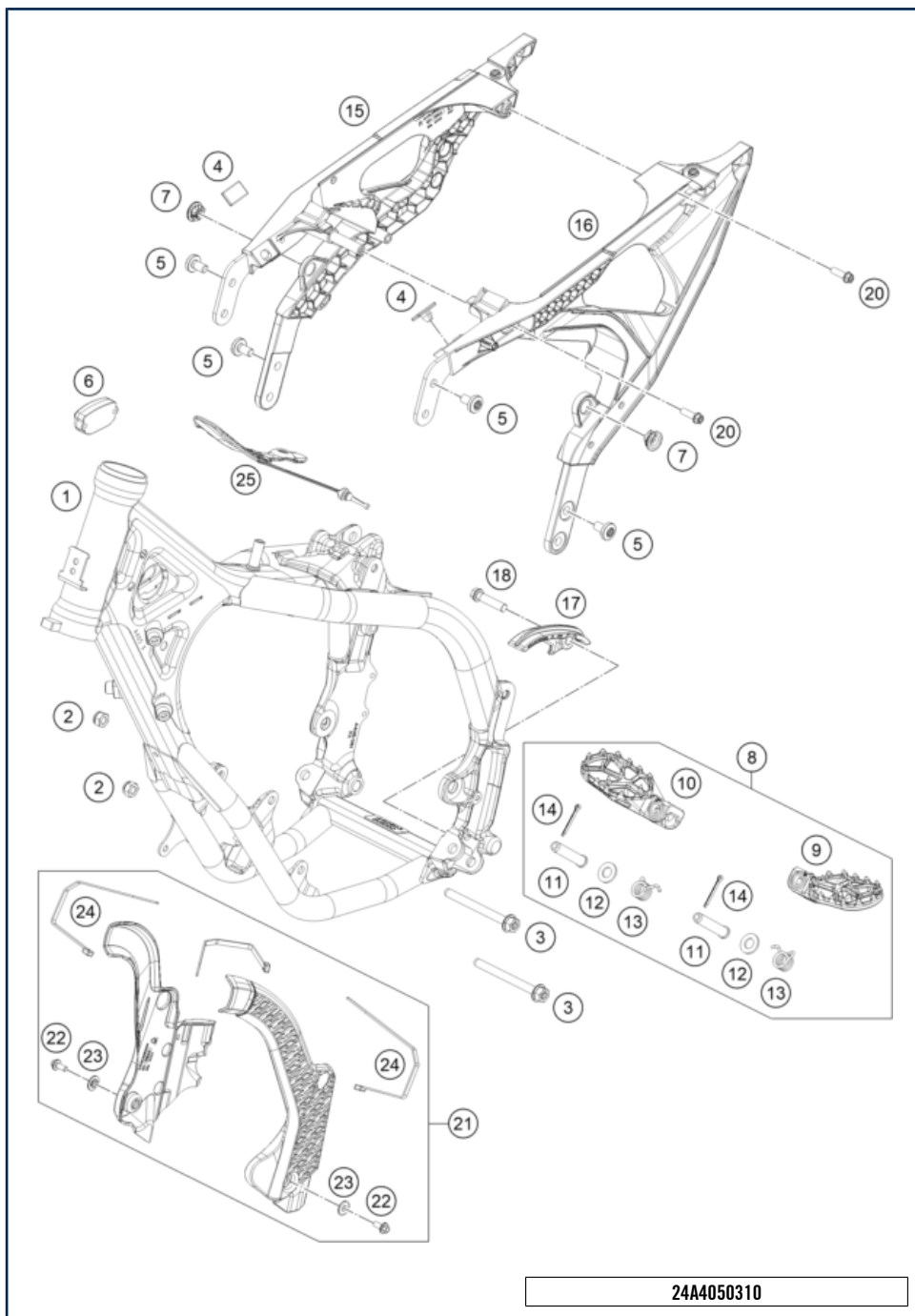
POS	PARTNUMBER		PIECE
1	A40502001000	Handlebar D=28mm	1
2	51702010044	Housing throttle twist grip cpl.	1
3	45402102044	Handlebar pad cmpl.	1
4	A40502021000	Grip set	1
5	46302091000	Throttle cable, cmpl. 65SX/TC	1
6	50311089200	SHORT CIRCUIT BUTTON 02	1

24A4050210

68490

* NEW PART

X ON DEMAND



POS	PARTNUMBER		PIECE
1	A40503001000FB	frame	1
2	51010086100	self-locking nut M8 Cu	2
3	01665080856	Hex screw EN 1665-M8x85-10.9	2
4	77307040041	Isolation pad	2
5	09000008016U0	Special screw M8x16 ISA45 self-locking	4
6	A54012920000	Hourmeter	1
7	47106003160	quick release rubber grommet	2
8	A40503037033	Footpeg set	1
9	A40003040000	Footpeg left	1
10	A40003041000	Footpeg right	1
11	54803044000	PIN FOR FOOT PED 51.5X9.8 MM	2
12	0125100003	washer DIN 125 A 10.5	2
13	A46003045000	Footrest spring right	2
14	0094032253	PIN DIN0094-3,2X25 STEEL	2
15	A40503002020	Subframe right	1
16	A40503002010	Subframe left	1
17	45303053000	Chain slider bottom	1
18	0025080306	HH collar screw M8x30	1
20	0025060206	HH collar screw M6x20 TX30	2
21	A40503094000FB	Frame protector set	1
22	0014050123	HH COLLAR SCREW M 5X12 WS=6	2
23	54803092060	BUSH F. FRAME PROTECTION 03	2
24	44011076200	CABLE TIE 200/3,6MM BLACK	3
25	A40507012000	Tank support rubber	1

24A4050310

68563

* NEW PART X ON DEMAND



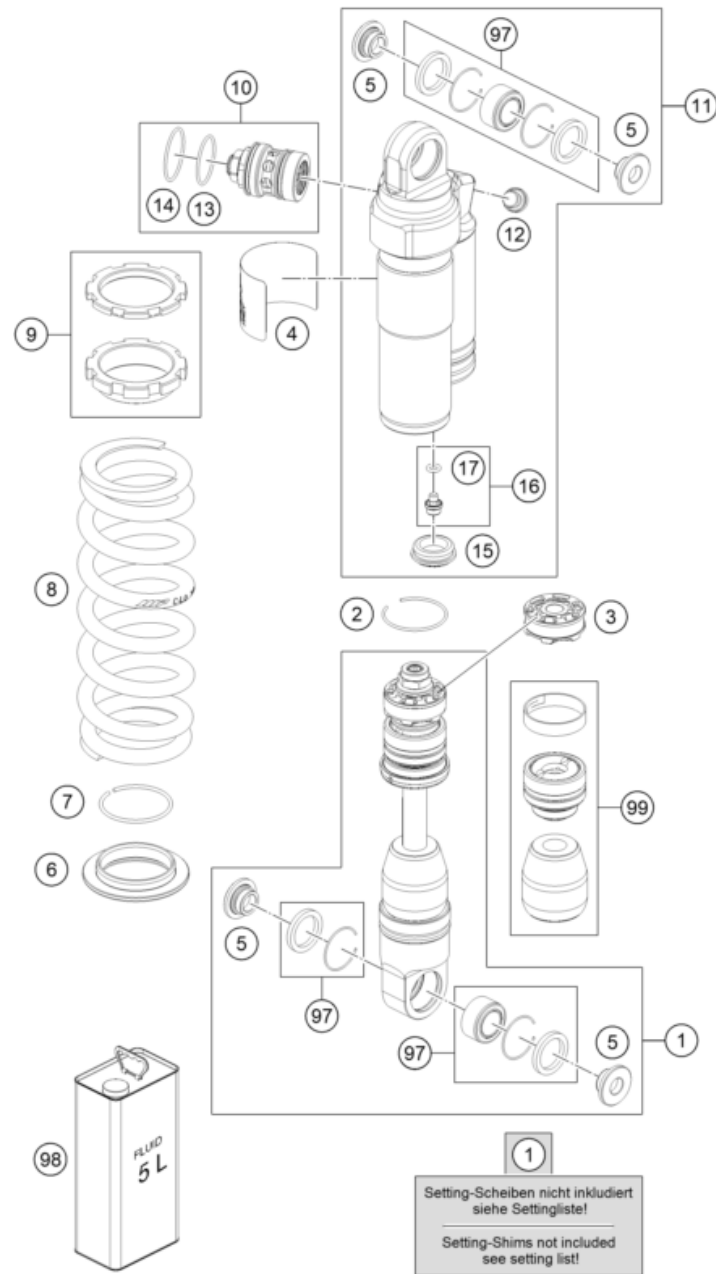
POS	PARTNUMBER		PIECE
1	A405C403X113000	shock 65 SX/TC/MC 24	1
2	69004089000	HH COLLAR SCREW M10X42 WS13 08	1
3	69004095000	ADAPTOR NUT M10	1
4	77204089000	HH COLLAR SCREW M10X52 SW13	1

24A4050410

68484

* NEW PART

X ON DEMAND



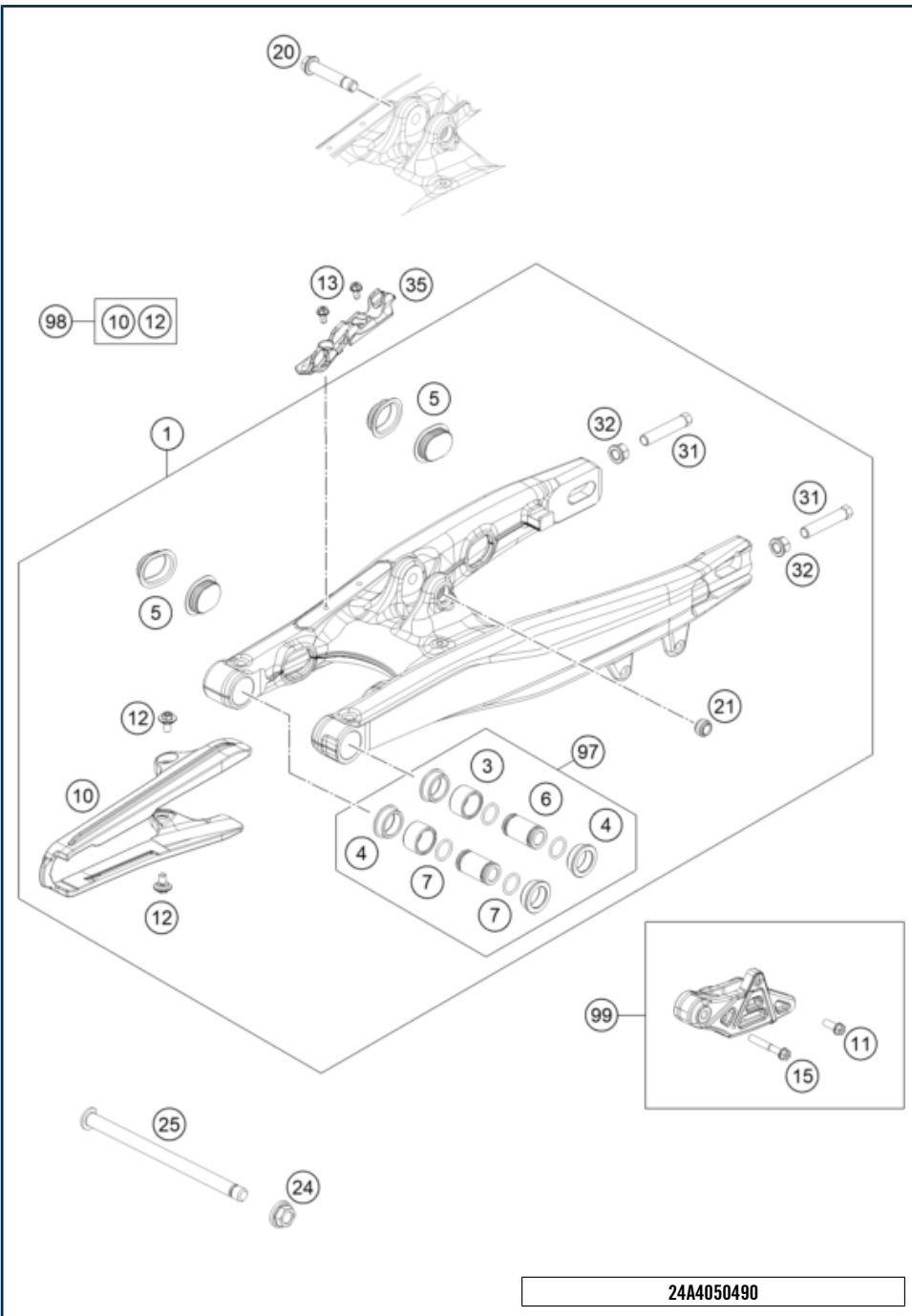
POS	PARTNUMBER		PIECE
1	S421400001S0101	bottom part cpl.	1
2	40540015	Round-wire snap ring 38x1,5	1
3	36120071	Piston 10,5x35,6x13,65 3,5/5,5	1
4	52000222	Sticker XACT 65SX	1
5	46180009	Distance bush 10x15/18/24,5x9,5	4
6	S82900001300001	Spring retainer 41,15x61,7x12.3	1
7	S23900000300000	round wire circlip 42.6x2	1
8	S81980000800028	Mainspring (47) 30-190.0 shock white	x
8	S81980000900028	Mainspring (47) 35-190.0 shock white	x
8	S81980001000028	Mainspring (47) 40-190.0 shock white	x
8	S81980001100028	Mainspring (47) 45-190.0 shock white	1
8	S81980001200028	Mainspring (47) 50-190.0 shock white	x
9	36120418S	ADJUSTING NUT CPL.	1
10	50181101S60	compression cpl.	1
11	S453600001S0001	Shock 65 SX/TC/MC Top	1
12	50180095	HS cylinder-head screw R1/8 l8	1
13	50180218	O-ring 25x1,5 Viton70	1
14	50180217	O-ring 27x1,5 Viton70 green ISO 3601-3S	1
15	46811208	Rubber cap do not open 22x5,5 NBR	1
16	36120151S	PLUG SCREW M5X6 CPL.	1
17	46810893	O-ring 5,28x1,78 NBR70 black	1
97	R12012T	Ball joint bearing kit top 12mm	2
98	50180751S1	SHOCK ABSORBER FLUID 5 LT	1
99	RP10057T	Repair kit shock absorber 65 SX/TC/MC	1

24A4050430

62360

* NEW PART

X ON DEMAND

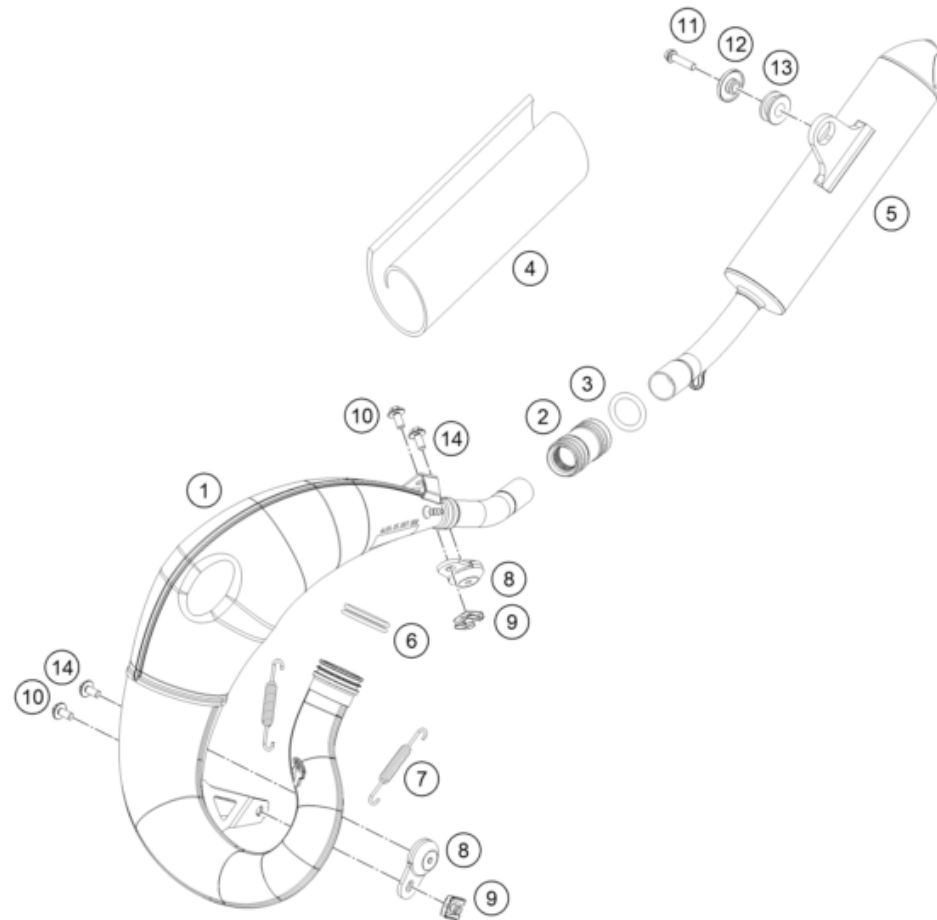


POS	PARTNUMBER		PIECE
1	46304030044	SWING ARM CPL. 65 SX 2016	1
3	54603097000	NEEDLE BUSH HK 2016	2
4	46004030070	SPACER BUSHING 20X26X30X9,7	4
5	77204041000	CLOSING COVER	4
6	46004030071	BUSHING BOX 12X20X36,5	2
7	0770160021	O-RING 16,00X2,00 VITON	4
10	46304066000	CHAIN SLID. GUARD	1
11	0025060166	HH collar screw M6x16 TX30	1
12	83008000012	special screw M6x12x3	2
13	0009050106	EJOT SPIRAL SCREW SF M5X10-K	2
15	0025060406	HH collar screw M6x40 TX30	1
20	77204089000	HH COLLAR SCREW M10X52 SW13	1
21	69004095000	ADAPTOR NUT M10	1
24	49030021100	Collar nut, M12x1, right	1
25	A40504037000	Swingarm pivot	1
31	50203030090	HH SCREW M8X40 WS=10	2
32	46030045000	flanged nut M8 WS10	2
35	47113047000	BRAKE HOSE GUIDE	1
97	45204230010	SWINGARM REP. KIT 50/65 SX	1
98	46304066010	CHAIN GUARD KIT 2016	1
99	46307066010	CHAIN GUIDE KIT REAR 2016	1

24A4050490

68483

* NEW PART X ON DEMAND



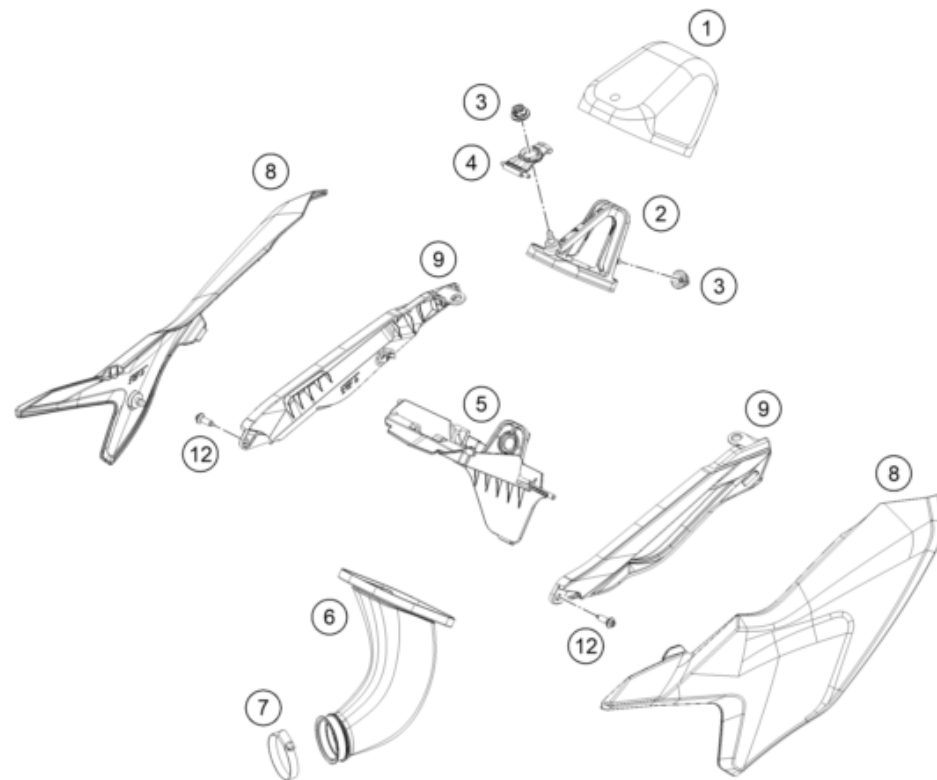
POS	PARTNUMBER		PIECE
1	A40505007000	header 65 SX	1
2	47205057000	Exhaust rubber	1
3	47205058000	Hose spring	1
4	46305079185	Damping material	1
5	A40505079000	Muffler 65 SX/TC	1
6	0770350030	O-RING 35,00X3,00 VITON	2
7	A46005016000	Tension spring L=65mm	2
8	50305012000	SWINGELEMENT FOR EXHAUST PIPE	2
9	0910000607500	Range change metal nut.M6 SS	2
10	0024060156	HH collar screw M6x15 TX30	2
11	0025060256	HH collar screw M6x25 TX30	1
12	77205169000	BUSHING 7.5x12x28x8.3 11	1
13	54605068000	EXHAUST BRACKET RUBBER BLACK	1
14	0024060106	HH COLLAR SCREW M6X10 TX30	2

24A4050510

68493

* NEW PART

X ON DEMAND



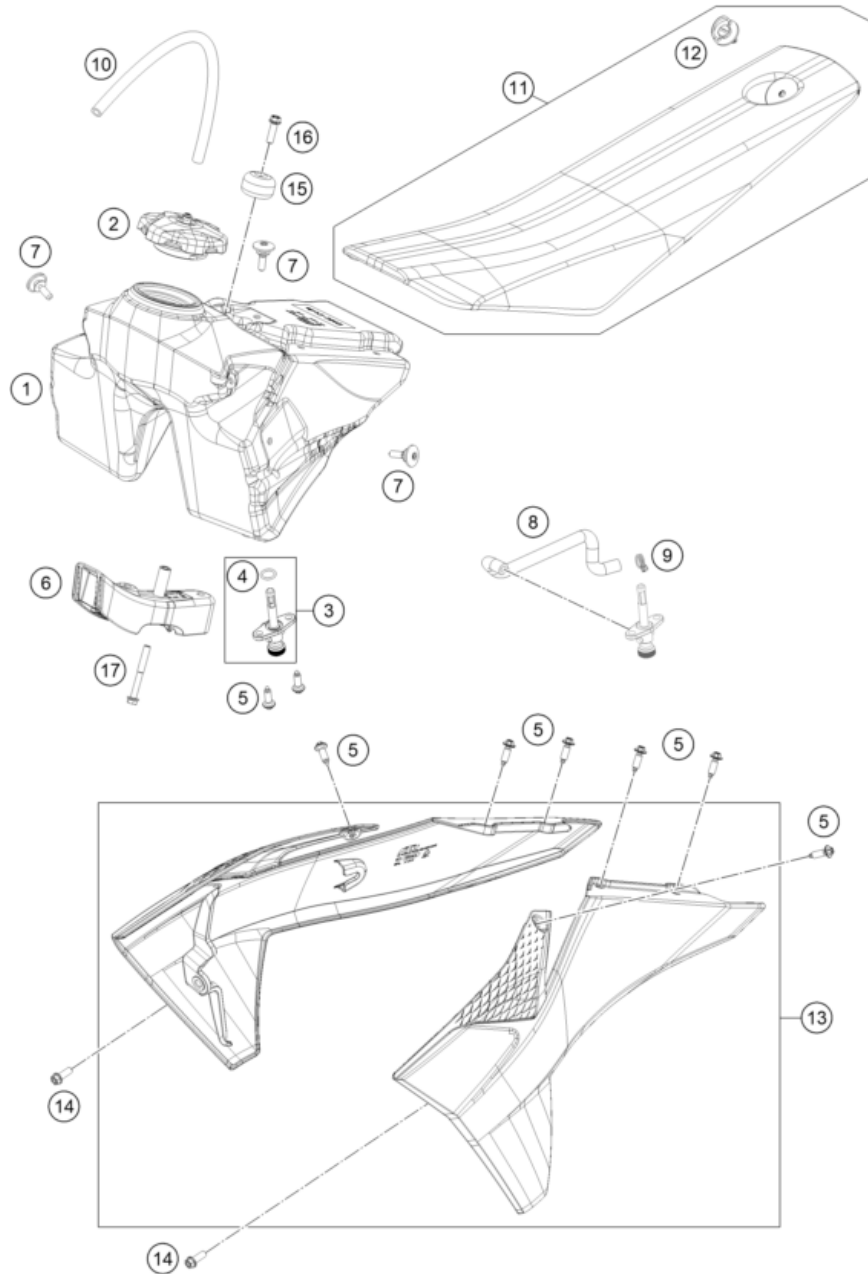
POS	PARTNUMBER		PIECE
1	A40506015000	Air filter	1
2	A40506016000	Air filter support	1
3	47106003160	quick release rubber grommet	2
4	A46006017000	Air filter holding bracket	1
5	A40506001000	Air filter box	1
6	A40506026000	Air boot	1
7	78006027000	HOSE CLAMP 45-65MM	1
8	A40506004044FB	Air filter box cover kit MC 65 2024	1
9	A40506034000FB	Subframe Cover kit MC 65 2024	1
12	0017060205	SCREW FOR PLASTIC K60X20 SW6	2

24A4050611

68564

* NEW PART

X ON DEMAND



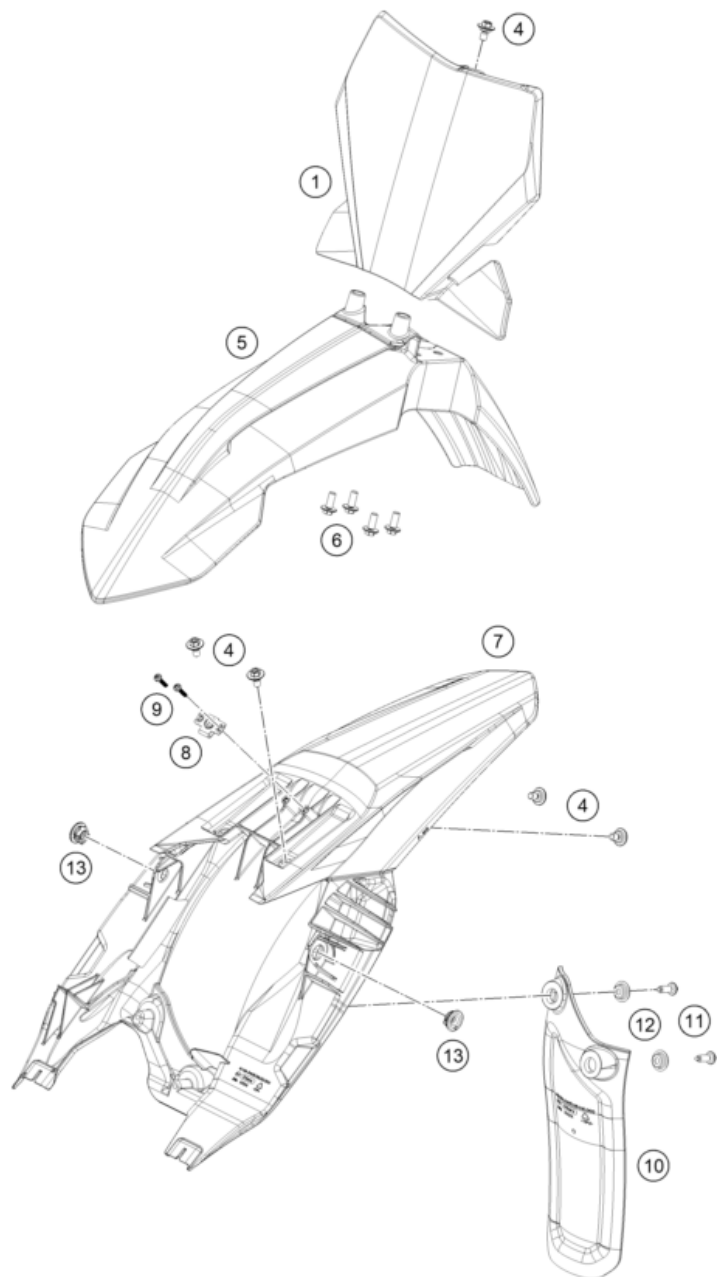
POS	PARTNUMBER		PIECE
1	A40507013000	Fuel tank	1
2	77707008144C1	Fuel tank cap	1
3	58507003200	FUEL COCK CPL.	1
4	55007006200	O-RING 11X1,8 NBR 70	1
5	0017060205	SCREW FOR PLASTIC K60X20 SW6	8
6	A40507013050	Tank adapter	1
7	79107011000	Seat holder screw	3
8	A40507016000	Fuel line	1
9	58007117000	YDNAC-CLAMP 10107 10MM	1
10	78007000270	PVC-HOSE 5,6X10X270MM	1
11	A40507040000FB	Seat	1
12	45007040051	QUICK RELEASE CPL. 50 SXR '97	1
13	A40508154000FBA	spoiler kit MC 65 2024 with decal	1
14	0025060126	HH collar screw M6x12 TX30	2
15	A46007014000	Fuel tank role	1
16	0025060206	HH collar screw M6x20 TX30	1
17	0025060506	HH collar screw M6x50 TX30	1

24A4050710

68565

* NEW PART

X ON DEMAND



POS	PARTNUMBER		PIECE
1	A40508107000FB	Number plate	1
4	83008000012	special screw M6x12x3	1
5	A40508110000FBA	Front fender with decal	1
6	0024060156	HH collar screw M6x15 TX30	4
7	A40508013000FB	Rear fender with decal	1
8	45007040050	QUICK RELEASE LATCHPLATE	1
9	0081035163	EJOT Delta PT screw 35x16	2
10	A40506010000	Splash protection	1
11	0017060203	EJOT PT SCREW K60X20 WS=6	2
12	46104066050	BUSH FOR CHAINSLIDER GUARD 02	2
13	47106003160	quick release rubber grommet	2

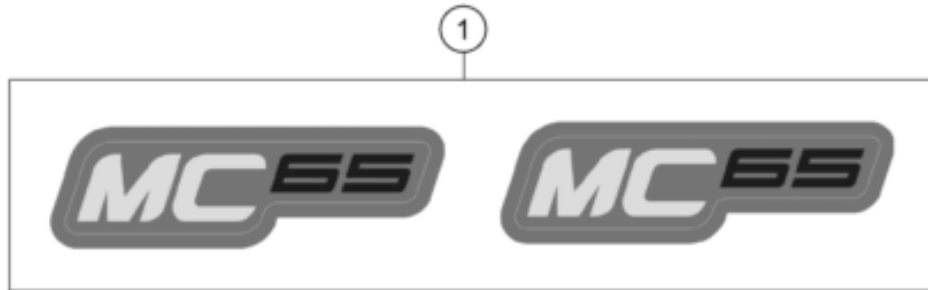
24A4050810

68567

* NEW PART

X ON DEMAND

POS	PARTNUMBER		PIECE
1	A40508092000	Displacement sticker set SX65 2024	1

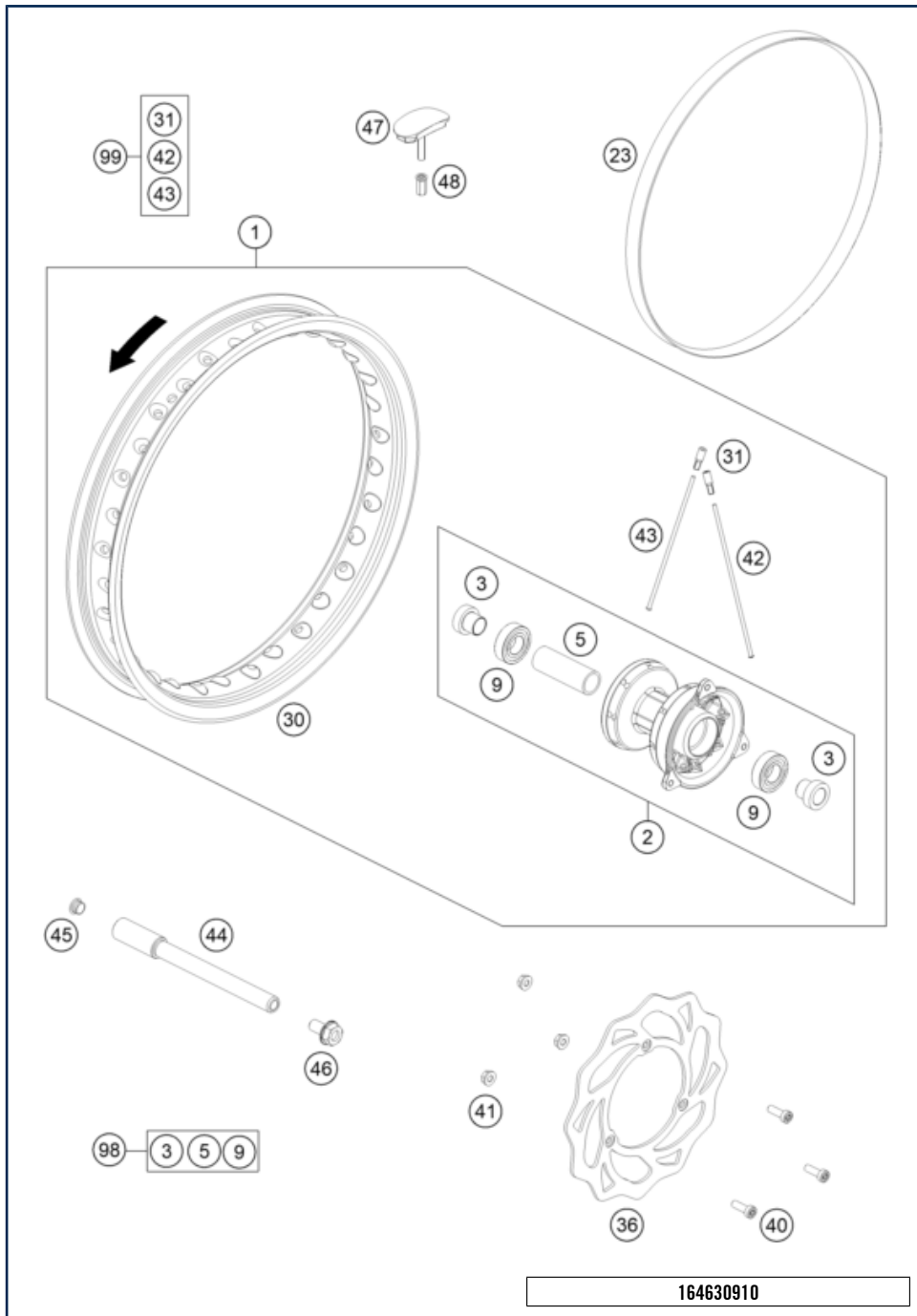


24A4050831

68569

* NEW PART

X ON DEMAND

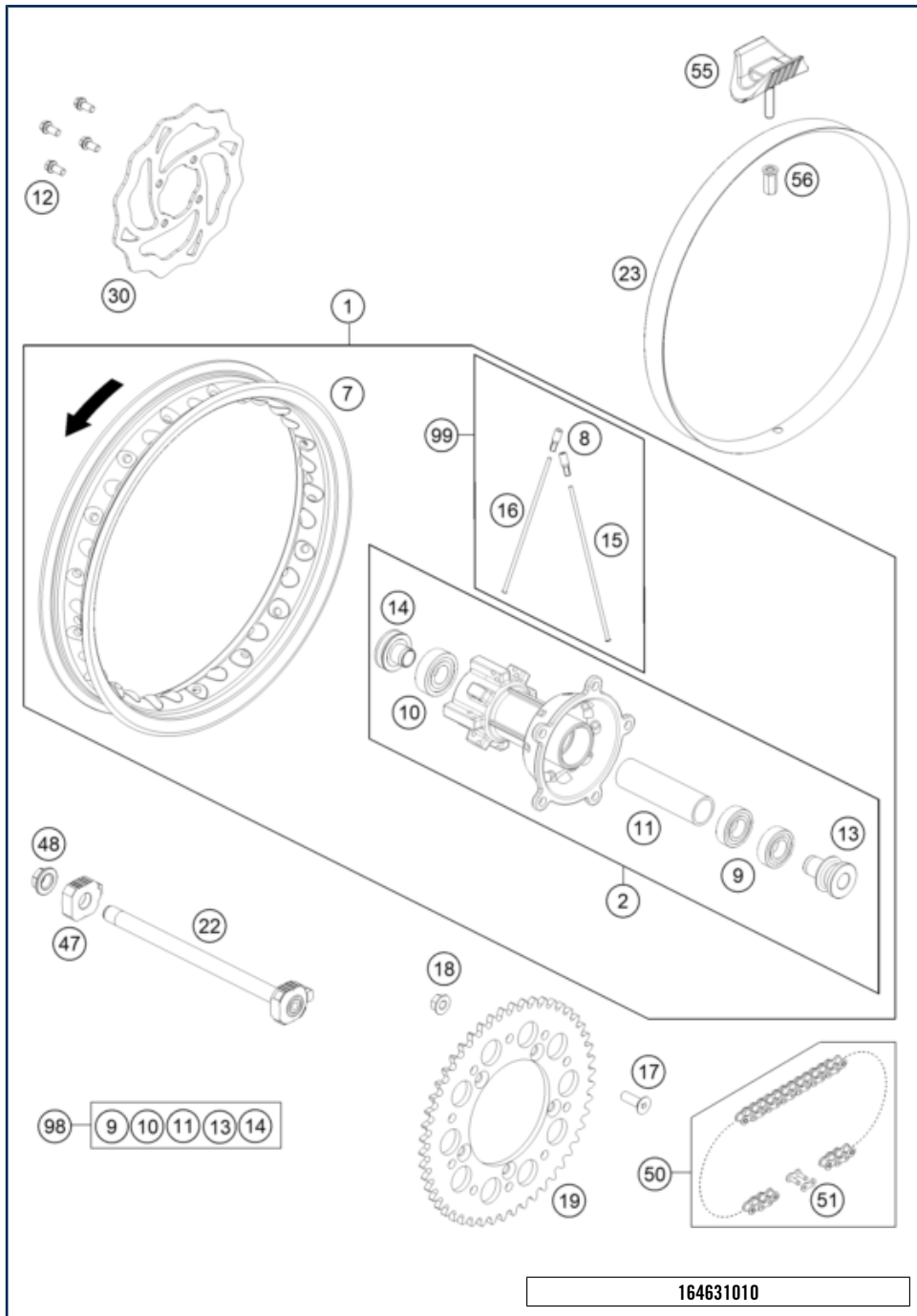


POS	PARTNUMBER		PIECE
1	46309001344	front wheel cpl. 65 SX 2023	1
2	46309110044	Front wheel hub, compl.	1
3	46209012000	DISTANCE BUSHING FRONT 65SX	2
5	46009011100	BEARING SPACER TUBE	1
9	0625060037	GR.BALL BEAR. 6003-2RSH/C3HMFT	2
23	46009073000	RIM BAND 14"	1
30	4620907010033	"Front rim 1,6x14""	1
31	46210072000	SPOKE NIPPLE ALU	32
36	46209060100	BRAKE DISC FRONT 65 SX 2012	1
40	59009062013	SPECIAL SCREW M6X13 WS=8 10.9	3
41	56509064100	SELF LOCKING NUT M6 10.9	3
42	46209071148	SPOKE 3X148 C.165° C.3,3	16
43	46209071150	SPOKE 3X150 C.166° C.2,6	16
44	45209081000	AXLE FRONT	1
45	50210086000	COVERING CAP SFL16	1
46	49032011000	HH COLLAR SCREW M10X20 WS=17	1
47	45110090000	RIM LOCK CPL. 2004	1
48	77110090050	NUT FOR WHEEL HOLDER	1
98	46209015000	FRONT WHEEL REP. KIT 65 SX	x
99	00050000918	SPOKE KIT FRONT 14" '12	x

164630910

59804

* NEW PART X ON DEMAND



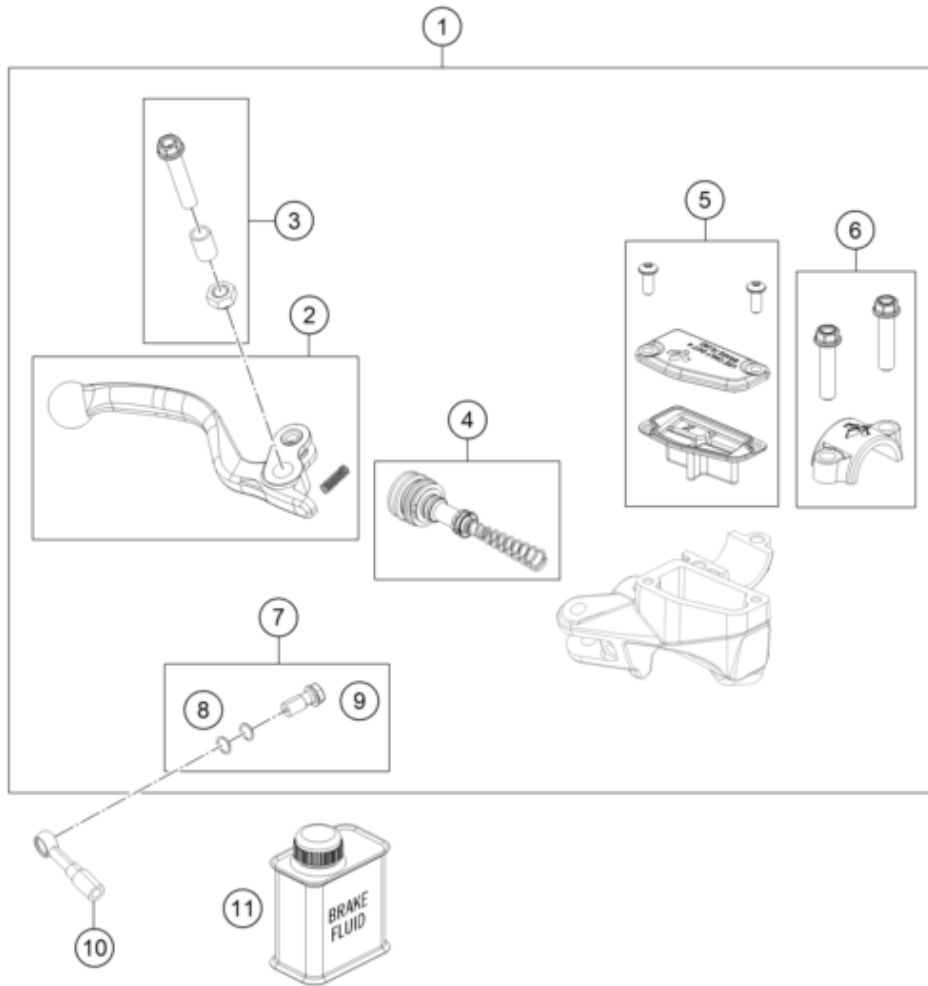
POS	PARTNUMBER		PIECE
1	46310001444	rear wheel cpl. 65 SX 2023	1
2	46310110044	Rear wheel hub compl.	1
7	4621007010033	"Rear rim 1,6x12""	1
8	46210072000	SPOKE NIPPLE ALU	32
9	0625060037	GR.BALL BEAR. 6003-2RSH/C3HMTF	2
10	0625062032	GR.BALL BEAR. 6203-2RSHC3HMTF	1
11	46010011000	BEAR.SPACER TUBE REAR SX 60/65	1
12	59009062016	SPECIAL SCREW M6X16 WS=8 10.9	4
13	46310013000	SPACER BUSHING L/S	1
14	46310014000	SPACER BUSHING R/S	1
15	46210071140	SPOKE 3X140 C. 150° C.5 Zinc	16
16	46210071133	SPOKE 3X133 C.161 C.4 Zinc	16
17	0019080266S	COUNTER-SUNK SCREW ISA45 M8X26	5
18	54310086200	SELF LOCKING NUT M8 10.9	5
19	46010051046C1	Rear sprocket 46Z SX65	x
19	46010051048C1	Rear sprocket 48Z SX65	1
19	46010051050C1	Rear sprocket 50Z SX65	x
22	46310085044	AXLE REAR CPL. 2016	1
23	45109073100	RIM BAND 12"	1
30	46210060100	BRAKE DISC REAR	1
47	46310084000	CHAIN TENSIONER R/S	1
48	77204087000	hex nut M14x1.5 WS17	1
50	46310165112	chain 112 rollers	1
51	46310066000	Chain lock 1/2X1/4"	1
55	51009100100	RIM LOCK VM1 (1,60")	1
56	77110090050	NUT FOR WHEEL HOLDER	1
98	46310015000	REAR WHEEL REP. KIT 65 SX 2016	x
99	00050000919	SPOKE KIT REAR 12" '12	x

164631010

68951

* NEW PART

X ON DEMAND



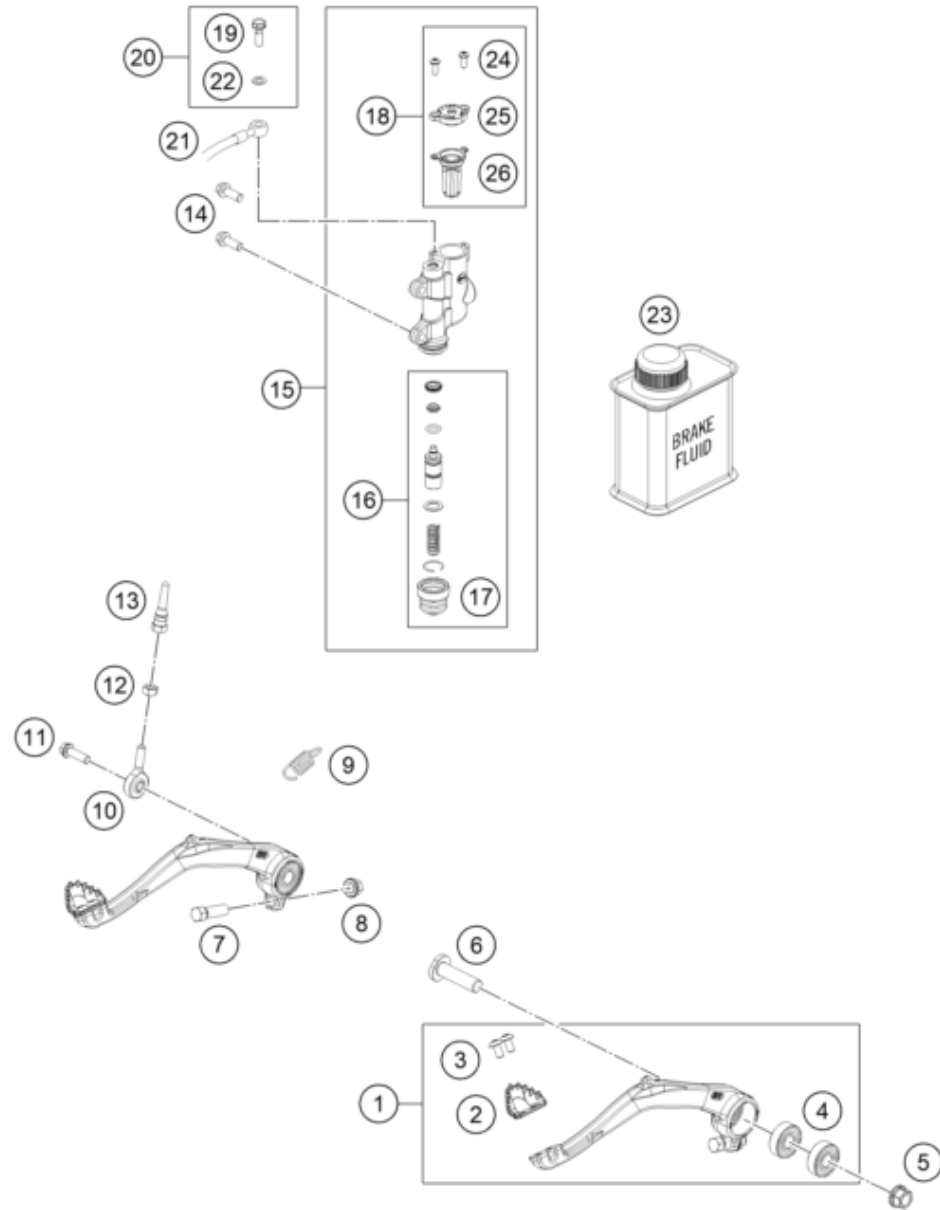
POS	PARTNUMBER		PIECE
1	A40013001044	HAND BRAKE CYLINDER	1
2	A40013002000	Lever Kit	1
3	70002038000	LEVER SCREW CPL.	1
4	72002032000	REP. KIT PISTON 10MM	1
5	47213003000	Reservoir kit	1
6	47213005000	Clamp Kit	1
7	47213025000	Hose screws kit	1
8	0770080019	O-RING 8,00X1,00 FORMULA	2
9	47013025000	HOLLOW SCREW BRAKE CYLINDER 03	1
10	A40513010000	brake pipe front	1
11	00062030000	BRAKE FLUID DOT5.1 0,25L	1

23A2001310

68494

* NEW PART

X ON DEMAND



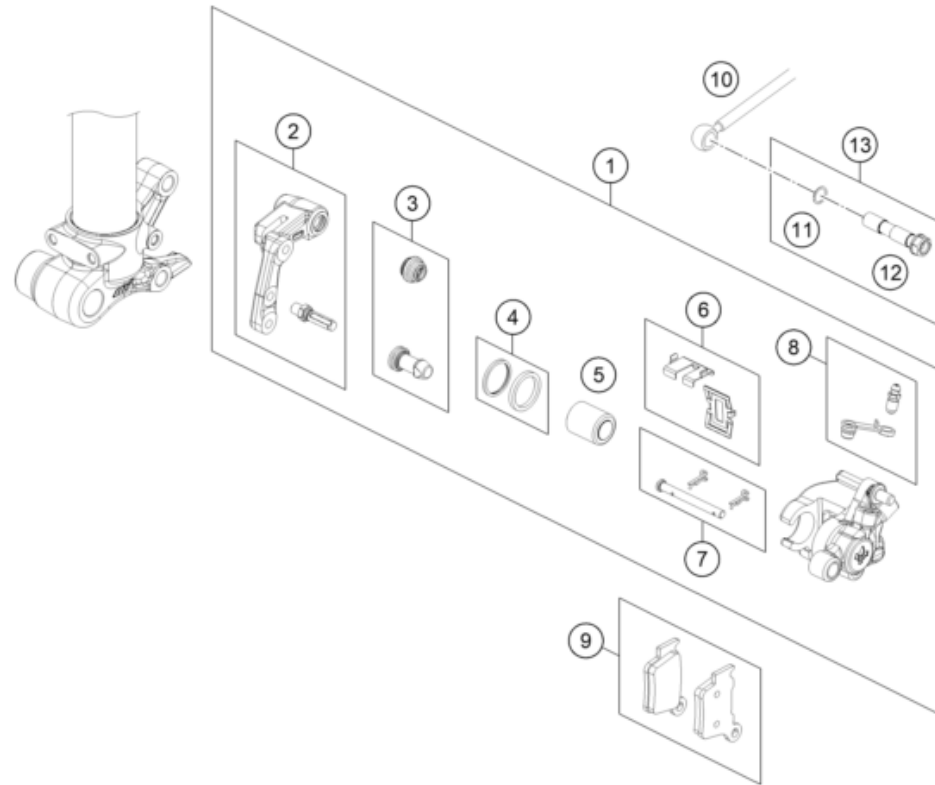
24A4051330

POS	PARTNUMBER		PIECE
1	A40513050044	foot brake lever cpl.	1
2	55413051000	STEP PLATE FOOT BRAKE LEVER	1
3	58605083010	SCREW TORX M5X10 05	2
4	0625060002	deep groove ball bearing SKF 6000-2RS1	2
5	54630044000	COLLAR NUT M10 WS=13	1
6	47213054000	Screw foot brake lever	1
7	59001037000	SPECIAL SCREW M8X26 WS=10	1
8	46030045000	flanged nut M8 WS10	1
9	A46003062000	Retracting spring	1
10	54813055100	Joint head CMP6	1
11	0025060206S	HH collar screw M6x20 TX30	1
12	0934060003	hex nut DIN 934 M6	1
13	47013056100	PRESSURE ROD 85 SX 06	1
14	0025060166S	HH collar screw M6x16 TX30 SL	2
15	47213060044	Complete master cylinder	1
16	47013061100	REP. SET PISTON REAR D=12 2004	1
17	47213063000	Dust cover	1
18	47213062000	Membrane kit	1
19	47013025000	HOLLOW SCREW BRAKE CYLINDER 03	1
20	47213025000	Hose screws kit	1
21	A40513070000	brake pipe rear	1
22	0770080019	O-RING 8,00X1,00 FORMULA	2
23	00062030000	BRAKE FLUID DOT5.1 0,25L	1
24	0912040103	AH.SCREW DIN0912-M 4X10	2
25	47013062000	CYLINDER COVER REAR 85 SX 03	1
26	47013063000	GASKET CYLINDER COVER REAR 03	1

68481

* NEW PART

X ON DEMAND



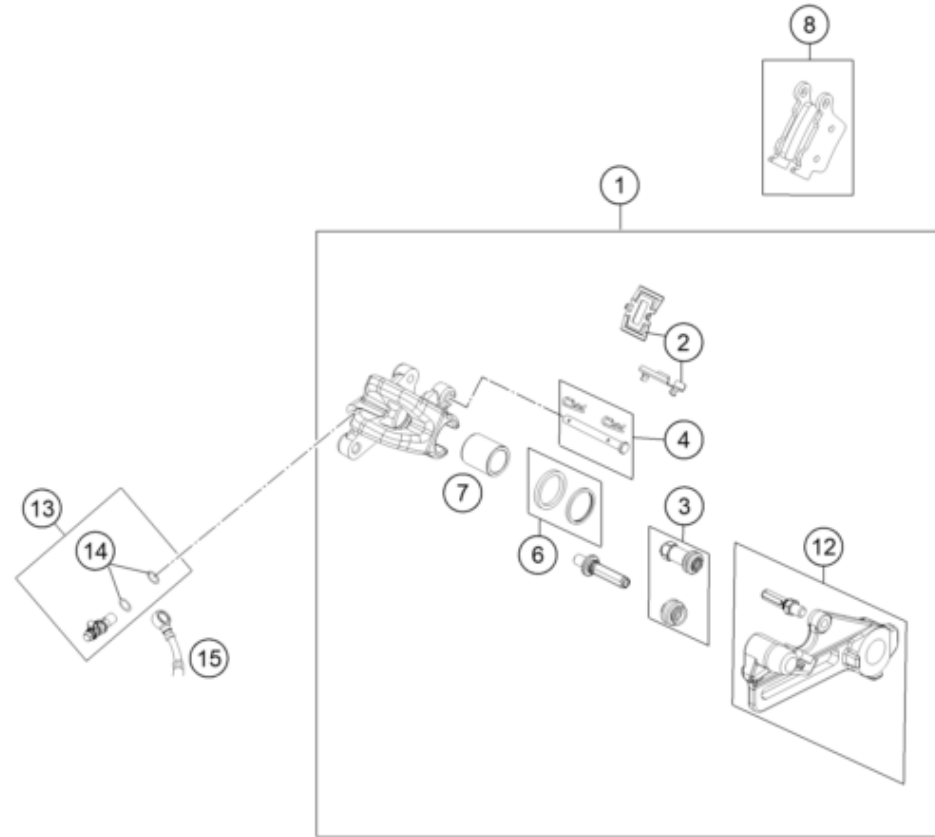
POS	PARTNUMBER		PIECE
1	A40513015001	Brake caliper - without pad	1
2	A40513014000	BRAKE-CALIPER SUPPORT	1
3	47213016000	Cup set	1
4	47213021000	Seals kit	1
5	47213019000	Piston	1
6	47213085000	Springs kit/	1
7	47213082000	Pads screw kit	1
8	47213020000	Bleeding screw with cap	1
9	A40513090000	Brake Pad	1
10	A40513010000	brake pipe front	1
11	0770080019	O-RING 8,00X1,00 FORMULA	2
12	47013025000	HOLLOW SCREW BRAKE CYLINDER 03	1
13	47213025000	Hose screws kit	1

234621360

60172

* NEW PART

X ON DEMAND



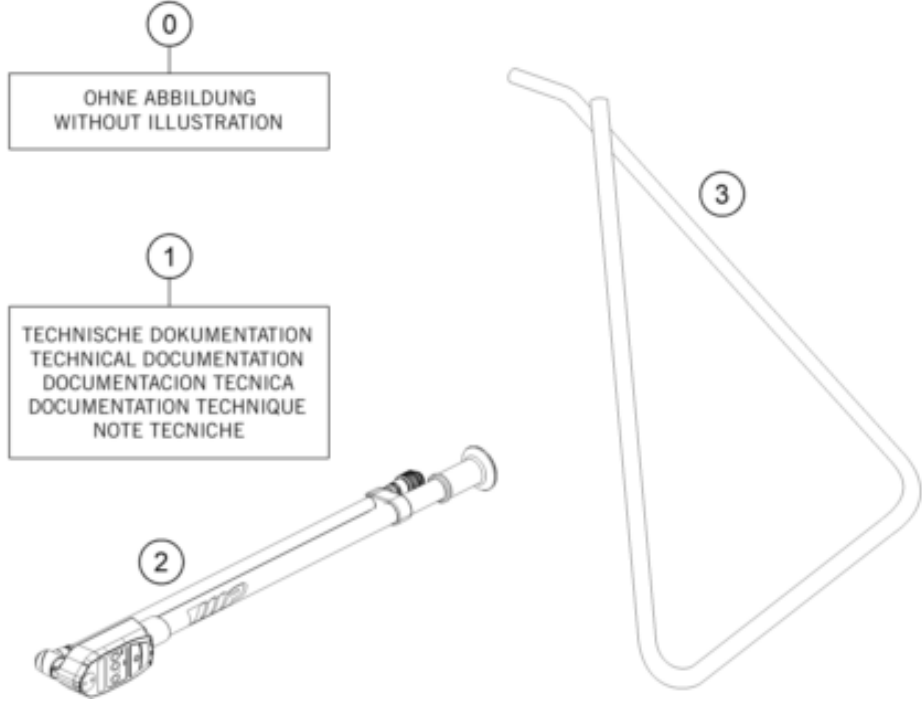
POS	PARTNUMBER		PIECE
1	A40513080001	Rear brake caliper without lining	1
2	47213085000	Springs kit/	1
3	47213016000	Cup set	1
4	47213082000	Pads screw kit	1
6	47213021000	Seals kit	1
7	47213019000	Piston	1
8	A40513090000	Brake Pad	1
12	A40513075000	BRAKE-CALIPER SUPPORT	1
13	47213084000	Hose screws kit	1
14	0770080019	O-RING 8,00X1,00 FORMULA	2
15	A40513070000	brake pipe rear	1

214721390

60182

* NEW PART

X ON DEMAND



204532001

POS	PARTNUMBER		PIECE
0	00063004202	PRINT LABEL 60X51 MM	2
0	A40003037033	Footpeg set	1
0	45402102044	Handlebar pad compl.	1
0	52000227SET	Sticker set XACT AER 142x171	1
0	45229073000	SPARK PLUG WRENCH	1
0	44011076140	CABLE TIE 140/2,5MM BLACK	2
0	44011076200	CABLE TIE 200/3,6MM BLACK	3
0	A54012920000	Hourmeter	1
0	0081035183	Ejot delta PT screw 35X18	2
0	A40508110000FBA	Front fender	1
0	45031023200	MAIN JET 200	1
0	0024060136	HH collar screw M6x13 TX30	4
0	00063004306	PLUG PACK	1
0	A40508192000	Displacement sticker set MC65 2024	1
0	00063004012	HEADLIGHT MASK BOX	1
0	A40503094000FB	Frame protector set	1
0	A40507013050	Tank adapter	1
0	0017060205	SCREW FOR PLASTIC K60X20 SW6	2
0	A40039093012	Spark plug AR12C	1
0	0025060506	HH collar screw M6x50 TX30	1
1	3215155EN	Owner's manual MC 65 '24	1
2	79412966100	Fork pump	1
3	47003020000	PLUG IN STAND SX 85 2003	1

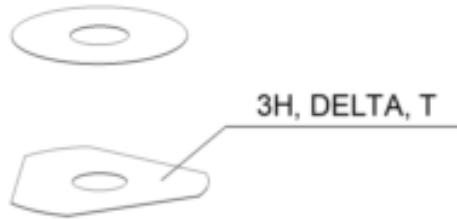
68570

* NEW PART

X ON DEMAND



- ⑤ Ø 5 mm
- ⑥ Ø 6 mm
- ⑧ Ø 8 mm
- ⑩ Ø 10 mm
- ⑫ Ø 12 mm
- ⑭ Ø 14-14,5 mm
- ⑯ Ø 16 mm
- ⑳ Ø 20 mm
- ㉑ Ø 21 mm
- ㉒ Ø 22 mm
- ㉓ Ø 23 mm
- ㉔ Ø 24,5 mm
- ㉘ Ø 28,25-28,5 mm
- ㉚ Ø 32 mm
- ㉜ Ø 52 mm



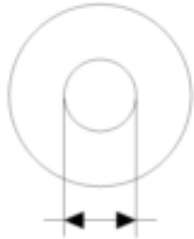
POS	PARTNUMBER		PIECE
1	48600611	Spring (10,2) l5 check valve	X
5	44906890	WASHER 5X15X2	X
6	40540400	Shim 6x12x0,10	X
6	40540401	Shim 6x14x0,10	X
6	40540402	Shim 6x16x0,10	X
6	40540403	Shim 6x18x0,10	X
6	40540404	Shim 6x12x0,15	X
6	40540405	Shim 6x14x0,15	X
6	40540406	Shim 6x16x0,15	X
6	40540407	SHIM 6X18X0,15	X
6	40540408	Shim 6x12x0,20	X
6	40540409	Shim 6x14x0,20	X
6	40540410	Shim 6x16x0,20	X
6	40540411	Shim 6x18x0,20	X
6	48600095	SHIM 6X20X0,20	X
6	40540412	Shim 6x12x0,25	X
6	40540413	Shim 6x14x0,25	X
6	40540414	Shim 6x16x0,25	X
6	40540415	Shim 6x18x0,25	X
6	40540417	SHIM 6X8,5X0,10	X
6	40540418	SHIM 6X9X0,10	X
6	40540419	SHIM 6X9,5X0,10	X
6	40540423	SHIM 6X9,5X0,15	X
6	40540425	SHIM 6X8,5X0,20	X
6	40540426	SHIM 6X9X0,20	X
6	40540427	SHIM 6X9,5X0,20	X
6	40540447	Shim 6x10x0,30	X
6	40540449	Shim 6x9x0,30	X
6	40540450	Shim 6x9,5x0,30	X
6	40540494	Shim 6x18x0,40	X
6	40540774	Shim 6x18x0,10 delta	X
6	40541383	Shim 6X11X0,10	X
6	40541391	Shim 6x11x0,30	X
6	40541402	Shim 6x11x0,20	X
6	40541403	SHIM 6X10X0,20	X
6	40541404	Shim 6x10x0,10	X
6	40541405	Shim 6x10x0,15	X
6	40541406	SHIM 6X11X0,15	X

080000190

4668

* NEW PART

X ON DEMAND



5 Ø 5 mm

6 Ø 6 mm

8 Ø 8 mm

10 Ø 10 mm

12 Ø 12 mm

14 Ø 14-14,5 mm

16 Ø 16 mm

20 Ø 20 mm

21 Ø 21 mm

22 Ø 22 mm

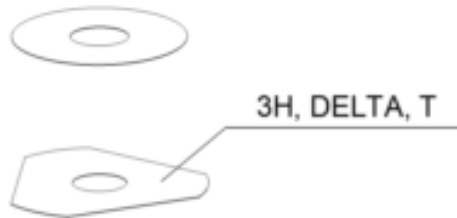
23 Ø 23 mm

24 Ø 24,5 mm

28 Ø 28,25-28,5 mm

32 Ø 32 mm

52 Ø 52 mm



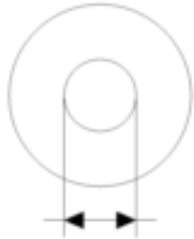
POS	PARTNUMBER		PIECE
6	40541408	SHIM 6X8,0X0,30	X
6	40541414	Shim 6x8x0,1	X
6	40541416	SHIM 6X8X0,3	X
6	40541417	SHIM 6X11X0,25	X
6	48600102	SHIM 6X24X0,25	X
6	48600063	Shim 6x24x0,10	X
6	48600064	Shim 6x22x0,10	X
6	48600065	Shim 6x20x0,10	X
6	48600069	Shim 6x20x0,15	X
6	48600100	Shim 6x24x0,15	X
6	48600116	Shim 6x24x0,10 delta	X
6	48600139	Shim 6x22x0,1 delta	X
6	48600217	Shim 6x10x0,25	X
6	48600325	Shim 6x13x0,10	X
6	48600327	SHIM 6X15X0,1	X
6	48600329	Shim 6x17x0,10	X
6	48600331	Shim 6x19x0,10	X
6	48600096	Shim 6x20x0,25	X
6	48600097	Shim 6x22x0,15	X
6	48600099	Shim 6x22x0,25	X
6	40540448	Shim 6x8,5x0,30	X
6	48600479	Shim 6x20x0,10 DELTA	X
6	48600332	SHIM 6X21X0,1	X
6	48600333	SHIM 6X23X0,1	X
6	40541393	Shim 6x12x0,30	X
6	48600330	SHIM 6X17X0,15	X
6	48600988	Shim 6x28x0,10	X
6	48600989	Shim 6x26x0,10	X
6	48601091	Shim 6x28x0,15	X
6	48601093	Shim 6x26x0,15	X
6	48600328	Shim 6x15x0,15	X
6	48600326	Shim 6x13x0,15	X
6	48601548	Shim 6x17x1,5	X
6	48601693	Washer 6x18x3	X
6	48600098	Shim 6x22x0,20	X
6	48601300	Washer 6x25x1,5	X
6	48601692	Shim 6x30x0,15	X
6	48601550	Shim 6x30x0,10	X

080000190

4668

* NEW PART

X ON DEMAND



- 5 Ø 5 mm
- 6 Ø 6 mm
- 8 Ø 8 mm
- 10 Ø 10 mm
- 12 Ø 12 mm
- 14 Ø 14-14,5 mm
- 16 Ø 16 mm
- 20 Ø 20 mm
- 21 Ø 21 mm
- 22 Ø 22 mm
- 23 Ø 23 mm
- 24 Ø 24,5 mm
- 28 Ø 28,25-28,5 mm
- 32 Ø 32 mm
- 52 Ø 52 mm



POS	PARTNUMBER		PIECE
6	40541392	Shim 6x8x0,2	X
6	48601917	Washer 6x25x4	X
6	48601916	Washer 6x18x4	X
6	40540399	Shim 6x16x0,30	X
6	48601584	Shim 6x30x0,4 spring shim	X
6	48601459	Washer check valve 6x31x0,4	X
6	48601849	Check valve plate 2,5mm hub	X
6	48600101	SHIM 6X24X0,20	X
6	48601094	Shim 6x26x0,20	X
6	40540422	Shim 6X9X0,15	X
6	48601841	Washer check valve 6x31x0,4	X
6	48601850	Shim 6x30x0,4 spring shim	X
6	48601092	Shim 6x28x0,20	X
6	48601264	Shim 6x25x0,10	X
6	48600967	Shim 6x20x0,2 DELTA	X
6	48601847	Washer 6x25x1,5	X
6	48601707	Sinus shim plate 6X30	X
6	S64060000400000	Shim 6x14x0.3	X
6	S64060000500000	Shim 6x13x0.25	X
6	S64060000600000	Shim 6x17x0,2	X
6	40540421	Shim 6x8.5x0.15	X
6	48601262	Washer 6x18x1,5	X
6	S64060001500000	Shim 6x8x0.15	X
8	40540477	Shim 8x18x0,40	X
8	43570120	Shim 8x18x0,10	X
8	44916098	WASHER 8,4X16X0,8	X
8	44916130	WASHER 8,2X15X1	X
8	44916180	WASHER 8,2X11X1	X
8	48600214	Shim 8x16x0,10	X
8	48600385	SHIM 8x14x0.25	X
8	48600346	Shim 8x11x0,20	X
8	48600215	Shim 8x20x0,10	X
8	48600485	SHIM 8X10X0,10	X
8	48601402	SHIM 8X13X0,10	X
8	48600350	Shim 8x16x0,15	X
8	48600061	Shim 8x24x0,40	X
8	48600062	CHECK VALVE 8X24X0,1	X
8	48600216	Shim 8x22x0,10	X

080000190

4668

* NEW PART

X ON DEMAND



- 5 Ø 5 mm
- 6 Ø 6 mm
- 8 Ø 8 mm
- 10 Ø 10 mm
- 12 Ø 12 mm
- 14 Ø 14-14,5 mm
- 16 Ø 16 mm
- 20 Ø 20 mm
- 21 Ø 21 mm
- 22 Ø 22 mm
- 23 Ø 23 mm
- 24 Ø 24,5 mm
- 28 Ø 28,25-28,5 mm
- 32 Ø 32 mm
- 52 Ø 52 mm



POS	PARTNUMBER		PIECE
8	48600480	Shim 8x10x0,20	X
8	48600555	SHIM 8X16X0,20	X
8	48600213	SHIM 8X14X0,10	X
8	48600357	Shim 8x11x0,10	X
8	48600351	Shim 8x12x0,10	X
8	48600607	Shim 8x20x0,40	X
8	48601095	Shim 8x17x0,10	X
8	48600352	CHECK VALVE 8X11X0,4	X
8	48601860	Washer 8x11x0,15	X
8	48601266	Shim 8x26x0,40	X
8	46180640	Shim 8x16x0,3	X
8	43578166	Washer 8x20x1	X
8	48601113	Shim 8x15x0,1	X
8	48600218	Shim 8X11X0,40	X
8	48600964	Shim 8x20x0,15	X
8	89080008	Shim 8x30x0,10	X
8	48601859	Shim 8x10x0,15	X
8	48601863	Shim 8x14x0,15	X
8	89080001	Shim 8x18x0,15	X
8	89080002	Shim 8x22x0,15	X
8	89080003	Shim 8x24x0,15	X
8	89080005	Shim 8x26x0,15	X
8	89080007	Shim 8x28x0,15	X
8	89080009	Shim 8x30x0,15	X
8	48600386	Shim 8X12X0,25	X
8	48601862	Shim 8x13x0,15	X
8	89080004	Shim 8x26x0,10	X
8	89080006	Shim 8x28x0,10	X
8	S64080000000000	Shim 8x24x0,2	X
8	48601864	Shim 8x15x0,15	X
8	48600965	SHIM 8X20X0,2	X
8	S64080000300000	Shim 8x18x0,2	X
8	S64080000100000	Shim 8x12x0,2	X
8	S64080000900000	shim 8x14x0,2	X
8	S64080000100000	Shim 8x12x0,2	X
8	S64080000400000	Shim 8x22x0,2	X
8	48600384	Shim 8x22x0,30	X
10	36120284	SHIM 10X16X0,10	X

080000190

4668

* NEW PART

X ON DEMAND



5 Ø 5 mm

6 Ø 6 mm

8 Ø 8 mm

10 Ø 10 mm

12 Ø 12 mm

14 Ø 14-14,5 mm

16 Ø 16 mm

20 Ø 20 mm

21 Ø 21 mm

22 Ø 22 mm

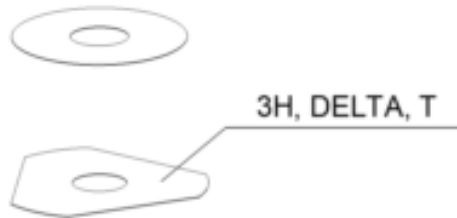
23 Ø 23 mm

24 Ø 24,5 mm

28 Ø 28,25-28,5 mm

32 Ø 32 mm

52 Ø 52 mm



POS	PARTNUMBER		PIECE
10	36120298	SHIM 10X16X0,2	X
10	36120312	SHIM 10X16X0,30	X
10	36120314	SHIM 10X18X0,30	X
10	36120325	SHIM 10X19X0,15	X
10	36120327	SHIM 10X23X0,15	X
10	36120328	SHIM 10X25X0,15	X
10	36120329	SHIM 10X27X0,15	X
10	36120330	SHIM 10X29X0,15	X
10	36120331	SHIM 10X31X0,15	X
10	36120332	SHIM 10X33X0,15	X
10	36120334	SHIM 10X21X0,20	X
10	36120335	SHIM 10X23X0,20	X
10	36120336	SHIM 10X25X0,20	X
10	36120337	SHIM 10X27X0,20	X
10	36120338	SHIM 10X29X0,20	X
10	36120339	SHIM 10X31X0,20	X
10	36120340	SHIM 10X33X0,20	X
10	36120342	SHIM 10X21X0,25	X
10	36120343	SHIM 10X23X0,25	X
10	36120344	SHIM 10X25X0,25	X
10	36120345	SHIM 10X27X0,25	X
10	36120349	SHIM 10X19X0,30	X
10	36120350	SHIM 10X21X0,30	X
10	36120313	SHIM 10X17X0,30	X
10	36120354	SHIM 10X29X0,30	X
10	40140275	WASHER 10X35X0,15	X
10	48601708	Shim 10x30x0,40	X
10	36120346	SHIM 10X29X0,25	X
10	36120355	SHIM 10X31X0,30	X
10	36120348	SHIM 10X33X0,25	X
10	36120311	SHIM 10X15X0,30	X
10	36120292	SHIM 10X17X0,15	X
10	36120326	SHIM 10X21X0,15	X
10	36120286	SHIM 10X18X0,10	X
10	36120347	SHIM 10X31X0,25	X
10	36120333	SHIM 10X19X0,20	X
10	36120351	SHIM 10X23X0,30	X
10	36120352	SHIM 10X25X0,30	X

080000190

4668

* NEW PART

X ON DEMAND



5 Ø 5 mm

6 Ø 6 mm

8 Ø 8 mm

10 Ø 10 mm

12 Ø 12 mm

14 Ø 14-14,5 mm

16 Ø 16 mm

20 Ø 20 mm

21 Ø 21 mm

22 Ø 22 mm

23 Ø 23 mm

24 Ø 24,5 mm

28 Ø 28,25-28,5 mm

32 Ø 32 mm

52 Ø 52 mm



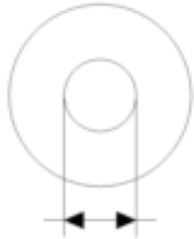
POS	PARTNUMBER		PIECE
10	36120353	SHIM 10X27X0,30	X
10	36120356	SHIM 10X33X0,30	X
10	50180395	Washer 10x16x1	X
10	36120291	SHIM 10X16X0,15	X
10	36120308	Shim 10x13x0,30	X
10	36120604	Washer 10x22x2,5	X
10	36120299	SHIM 10X17X0,20	X
12	46810605	SHIM 12X21X0,10	X
12	46810490	SHIM 12X24X0,20	X
12	46810491	Shim 12x26x0,20	X
12	46810492	Shim 12x28x0,20	X
12	46810493	SHIM 12X30X0,20	X
12	46810494	Shim 12x32x0,20	X
12	46810495	Shim 12x34x0,20	X
12	46810496	SHIM 12X36X0,20	X
12	46810497	SHIM 12X38X0,20	X
12	46810498	Shim 12x40x0,20	X
12	46810499	Shim 12x24x0,25	X
12	46810500	SHIM 12X26X0,25	X
12	46810501	SHIM 12X28X0,25	X
12	46810502	Shim 12x30x0,25	X
12	46810504	SHIM 12X34X0,25	X
12	46810505	SHIM 12X36X0,25	X
12	46810507	Shim 12x40x0,25	X
12	46810508	SHIM 12X24X0,30	X
12	46810509	SHIM 12X26X0,30	X
12	46810510	SHIM 12X28X0,30	X
12	46810512	SHIM 12X32X0,30	X
12	46810513	SHIM 12X34X0,30	X
12	46810518	SHIM 12X26X0,15	X
12	46810519	SHIM 12X28X0,15	X
12	46810520	SHIM 12X30X0,15	X
12	46810521	SHIM 12X32X0,15	X
12	46810522	SHIM 12X34X0,15	X
12	46810523	SHIM 12X36X0,15	X
12	46810524	SHIM 12X38X0,15	X
12	46810525	SHIM 12X40X0,15	X
12	46810604	SHIM 12X20X0,10	X

080000190

4668

* NEW PART

X ON DEMAND



- 5 Ø 5 mm
- 6 Ø 6 mm
- 8 Ø 8 mm
- 10 Ø 10 mm
- 12 Ø 12 mm
- 14 Ø 14-14,5 mm
- 16 Ø 16 mm
- 20 Ø 20 mm
- 21 Ø 21 mm
- 22 Ø 22 mm
- 23 Ø 23 mm
- 24 Ø 24,5 mm
- 28 Ø 28,25-28,5 mm
- 32 Ø 32 mm
- 52 Ø 52 mm



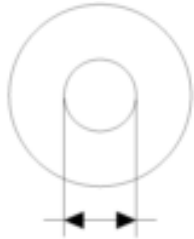
POS	PARTNUMBER		PIECE
12	46810606	SHIM 12X22X0,10	X
12	46810607	SHIM 12X23X0,10	X
12	46810608	SHIM 12X24X0,10	X
12	46810610	Shim 12x17x0,15	X
12	46810611	SHIM 12X18X0,15	X
12	46810612	SHIM 12X19X0,15	X
12	46810615	SHIM 12X22X0,15	X
12	46810636	BACKPLATE 12X16X0,30	X
12	46810637	Shim 12x17x0,30	X
12	46810638	Shim 12x18x0,30	X
12	46810639	SHIM 12X19X0,30	X
12	46810641	Shim 12X21X0,30	X
12	46811582	Shim 12x30x0,10	X
12	46810631	SHIM 12X20X0,25	X
12	46810633	SHIM 12X22X0,25	X
12	46811580	Shim 12x32x0,10	X
12	46810503	SHIM 12X32X0,25	X
12	46810517	SHIM 12X24X0,15	X
12	46810856	Shim 12x20x0,30	X
12	46811258	Washer 12x24x2,5	X
12	46812018	Shim 12x42x0,25	X
12	46812015	Shim 12x44x0,20	X
12	46810613	SHIM 12X20X0,15	X
12	46810623	SHIM 12X21X0,20	X
12	46810624	SHIM 12X22X0,20	X
12	46810642	SHIM 12X22X0,30	X
12	46810643	SHIM 12X23X0,30	X
12	46811629	Shim 12x28x0,10	X
12	46810511	SHIM 12X30X0,30	X
12	46810514	SHIM 12X36X0,30	X
12	46810506	SHIM 12X38X0,25	X
12	46810515	SHIM 12X38X0,30	X
12	46812017	Shim 12x42x0,20	X
12	46812016	Shim 12x44x0,25	X
12	46810622	SHIM 12X20X0,20	X
12	46811635	Shim 12x26x0,10	X
12	50181296	Shim 12x45x0,20	X
12	46810620	Shim 12x18x0,2	X

080000190

4668

* NEW PART

X ON DEMAND



- 5 Ø 5 mm
- 6 Ø 6 mm
- 8 Ø 8 mm
- 10 Ø 10 mm
- 12 Ø 12 mm
- 14 Ø 14-14,5 mm
- 16 Ø 16 mm
- 20 Ø 20 mm
- 21 Ø 21 mm
- 22 Ø 22 mm
- 23 Ø 23 mm
- 24 Ø 24,5 mm
- 28 Ø 28,25-28,5 mm
- 32 Ø 32 mm
- 52 Ø 52 mm



POS	PARTNUMBER		PIECE
12	46810616	Shim 12x23x0,15	X
12	46810625	SHIM 12X23X0,20	X
12	50181297	Adjustment 12x45x0,25	X
12	46810603	SHIM 12X19X0,10	X
12	46180712	SHIM 12X36X0,10	X
12	46810614	SHIM 12X21X0,15	X
12	46810628	SHIM 12X17X0,25	X
12	46810634	SHIM 12X23X0,25	X
12	S64120000000000	Shim 12x25x0.15	X
12	46810516	SHIM 12X40X0,30	X
12	S64120000800000	Shim 12x34x0,1	X
12	46810627	SHIM 12X16X0,25	X
12	46810632	SHIM 12X21X0,25	X
12	46810602	SHIM 12X18X0,10	X
14	35480479	Shim 14x26x0,40	X
14	46811046	Washer 14,5x35,4x1,25	X
16	50180023	SHIM 16X23X0,20	X
16	50180030	Shim 16x23x0,25	X
16	50180006	Shim 16x20x0,10	X
16	50180007	SHIM 16X21X0,10	X
16	50180028	SHIM 16X21X0,25	X
16	50180210	Washer 16x21x1	X
16	50180008	SHIM 16X22X0,10	X
16	50180022	Shim 16x22x0,20	X
16	50180037	SHIM 16X23X0,30	X
16	50180038	SHIM 16X24X0,30	X
16	50180032	Shim 16x25x0,25	X
16	50180039	SHIM 16X25X0,30	X
16	50180012	SHIM 16X26X0,10	X
16	50180019	SHIM 16X26X0,15	X
16	50180026	SHIM 16X26X0,20	X
16	50180040	SHIM 16X26X0,30	X
16	50180041	SHIM 16X28X0,10	X
16	50180045	Shim 16x28x0,15	X
16	50180054	Shim 16x28x0,2	X
16	50180063	SHIM 16X28X0,25	X
16	50180072	SHIM 16X28X0,30	X
16	50180046	SHIM 16X30X0,15	X

080000190

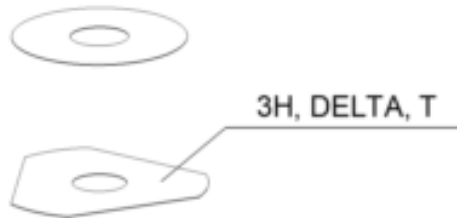
4668

* NEW PART

X ON DEMAND



- ⑤ Ø 5 mm
- ⑥ Ø 6 mm
- ⑧ Ø 8 mm
- ⑩ Ø 10 mm
- ⑫ Ø 12 mm
- ⑭ Ø 14-14,5 mm
- ⑯ Ø 16 mm
- ⑳ Ø 20 mm
- ㉑ Ø 21 mm
- ㉒ Ø 22 mm
- ㉓ Ø 23 mm
- ㉔ Ø 24,5 mm
- ㉘ Ø 28,25-28,5 mm
- ㉚ Ø 32 mm
- ㉜ Ø 52 mm



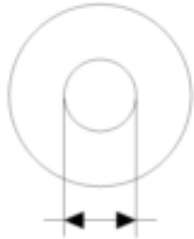
POS	PARTNUMBER		PIECE
16	50180055	SHIM 16X30X0,20	X
16	50180064	Shim 16x30x0,25	X
16	50180073	SHIM 16X30X0,30	X
16	50180047	Shim 16X32X0,15	X
16	50180056	Shim 16x32x0,2	X
16	50180065	SHIM 16X32X0,25	X
16	50180074	SHIM 16X32X0,30	X
16	50180044	SHIM 16X34X0,10	X
16	50180048	SHIM 16X34X0,15	X
16	50180057	Shim 16x34x0,2 y5	X
16	50180066	SHIM 16X34X0,25	X
16	50180075	SHIM 16X34X0,30	X
16	50180049	Shim 16x36x0,15	X
16	50180058	Shim 16x36x0,20	X
16	50180067	SHIM 16X36X0,25	X
16	50180076	SHIM 16X36X0,30	X
16	50180050	SHIM 16X38X0,15	X
16	50180059	SHIM 16X38X0,20	X
16	50180068	SHIM 16X38X0,25	X
16	50180077	SHIM 16X38X0,30	X
16	50180051	Shim 16x40x0,15	X
16	50180060	Shim 16x40x0,2	X
16	50180069	SHIM 16X40X0,25	X
16	50180078	SHIM 16X40X0,30	X
16	50180052	SHIM 16X42X0,15	X
16	50180061	Shim 16x42x0,2	X
16	50180070	SHIM 16X42X0,25	X
16	50180079	SHIM 16X42X0,30	X
16	50180053	SHIM 16X44X0,15	X
16	50180062	Shim 16X44X0,20	X
16	50180071	SHIM 16X44X0,25	X
16	50180080	SHIM 16X44X0,30	X
16	50180177	Springwasher 8,2x16x0,6	X
16	50180033	Shim 16x26x0,25	X
16	50180034	Shim 16x20x0,30	X
16	50180035	Shim 16x21x0,30	X
16	50180036	Shim 16x22x0,30	X
16	50180043	SHIM 16X32X0,10	X

080000190

4668

* NEW PART

X ON DEMAND



5 Ø 5 mm

6 Ø 6 mm

8 Ø 8 mm

10 Ø 10 mm

12 Ø 12 mm

14 Ø 14-14,5 mm

16 Ø 16 mm

20 Ø 20 mm

21 Ø 21 mm

22 Ø 22 mm

23 Ø 23 mm

24 Ø 24,5 mm

28 Ø 28,25-28,5 mm

32 Ø 32 mm

52 Ø 52 mm



POS	PARTNUMBER		PIECE
16	50180024	Shim 16x24x0,20	X
16	50180027	SHIM 16X20X0,25	X
16	50180031	Shim 16x24x0,25	X
16	50180029	SHIM	X
16	50180010	SHIM 16X24X0,10	X
16	50180021	SHIM 16X21X0,20	X
16	50180025	SHIM 16X25X0,20	X
16	50180383	Washer 16x19x0,3	X
16	50180014	SHIM	X
16	50180013	SHIM 16X20X0,15	X
16	50180015	DISTANCER PLATE 16X22X0,15	X
16	50180017	Shim 16x24x0,15	X
16	50180009	DISTANCER PLATE 16X23X0,10	X
16	50180016	SHIM 16X23X0,15	X
16	50180020	SHIM 16X20X0,20	X
20	48600212	PRESSURE-RING 20X16,25X0,20	X
20	50180666	SHIM 20X24X0,30	X
20	50180654	SHIM 20X36X0,20	X
20	50180655	SHIM 20X38X0,20	X
20	50180656	SHIM 20X40X0,20	X
20	50180665	SHIM 20X40X0,25	X
20	50180662	SHIM 20X34X0,25	X
20	50180657	SHIM 20X24X0,25	X
20	50180653	SHIM 20X34X0,20	X
20	50180634	RING 20X22,9X1	X
20	50180650	SHIM 20,2X28X0,20	X
20	50180663	SHIM 20X36X0,25	X
20	50180664	SHIM 20X38X0,25	X
20	50180659	SHIM 20,2X28X0,25	X
21	50180209	Shim 21x36x0,25	X
22	50180330	Shim 18x22x0,3	X
23	50180635	SHUTTLE VALVE 23X38X0,25	X
23	50180578	SHIM D23XD16X2	X
24	40541061	WASHER 24,5X34X2	X
28	36120469	SHIM 28,5X14X2	X
28	36120471	SHIM 28,5X14X5	X
28	89000001	Shim 28,25x34x0,30	X
28	46811636	Shim 28,25x32x0,30	X

080000190

4668

* NEW PART

X ON DEMAND



- ⑤ Ø 5 mm
- ⑥ Ø 6 mm
- ⑧ Ø 8 mm
- ⑩ Ø 10 mm
- ⑫ Ø 12 mm
- ⑭ Ø 14-14,5 mm
- ⑮ Ø 16 mm
- ⑳ Ø 20 mm
- ㉑ Ø 21 mm
- ㉒ Ø 22 mm
- ㉓ Ø 23 mm
- ㉔ Ø 24,5 mm
- ㉘ Ø 28,25-28,5 mm
- ㉚ Ø 32 mm
- ㉜ Ø 52 mm



POS	PARTNUMBER		PIECE
32	48600460	WASHER 32X42X2,5	X
32	50600065	SHIM 32X45X2	X
32	46811637	Shim 32,25x36x0,30	X
52	50600002	Washer 52x59x2,2	X

080000190

4668

* NEW PART

X ON DEMAND



10/2023

ART.-NR.F0001X6



Stallhofnerstraße 3 / 5230 Mattighofen / Austria / www.gasgas.com



Engine MC 65 2024

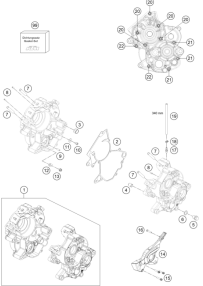
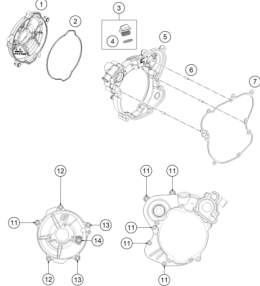
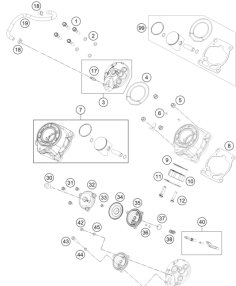
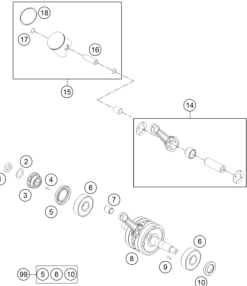
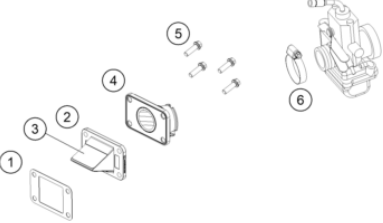
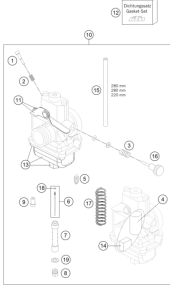
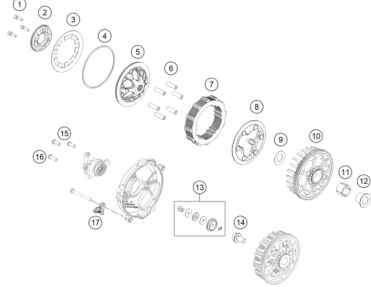
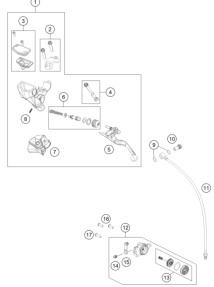
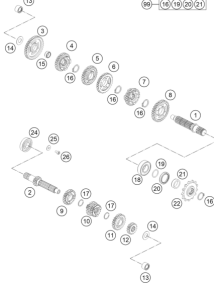
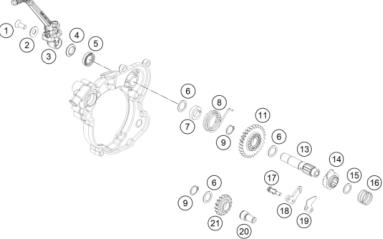
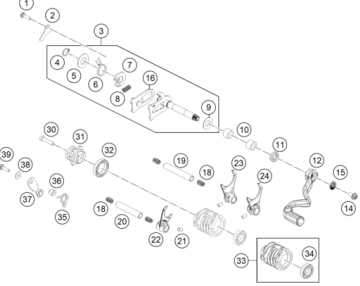

ENGINE / ART.-NR.080211X / 2024
SPAREPARTSCATALOG

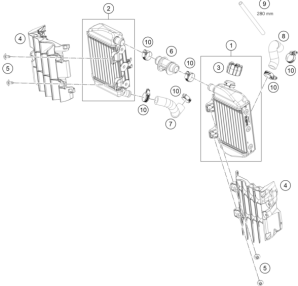
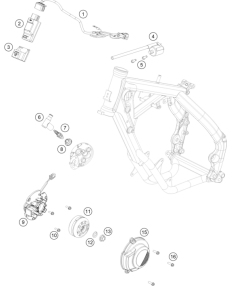
GASGAS

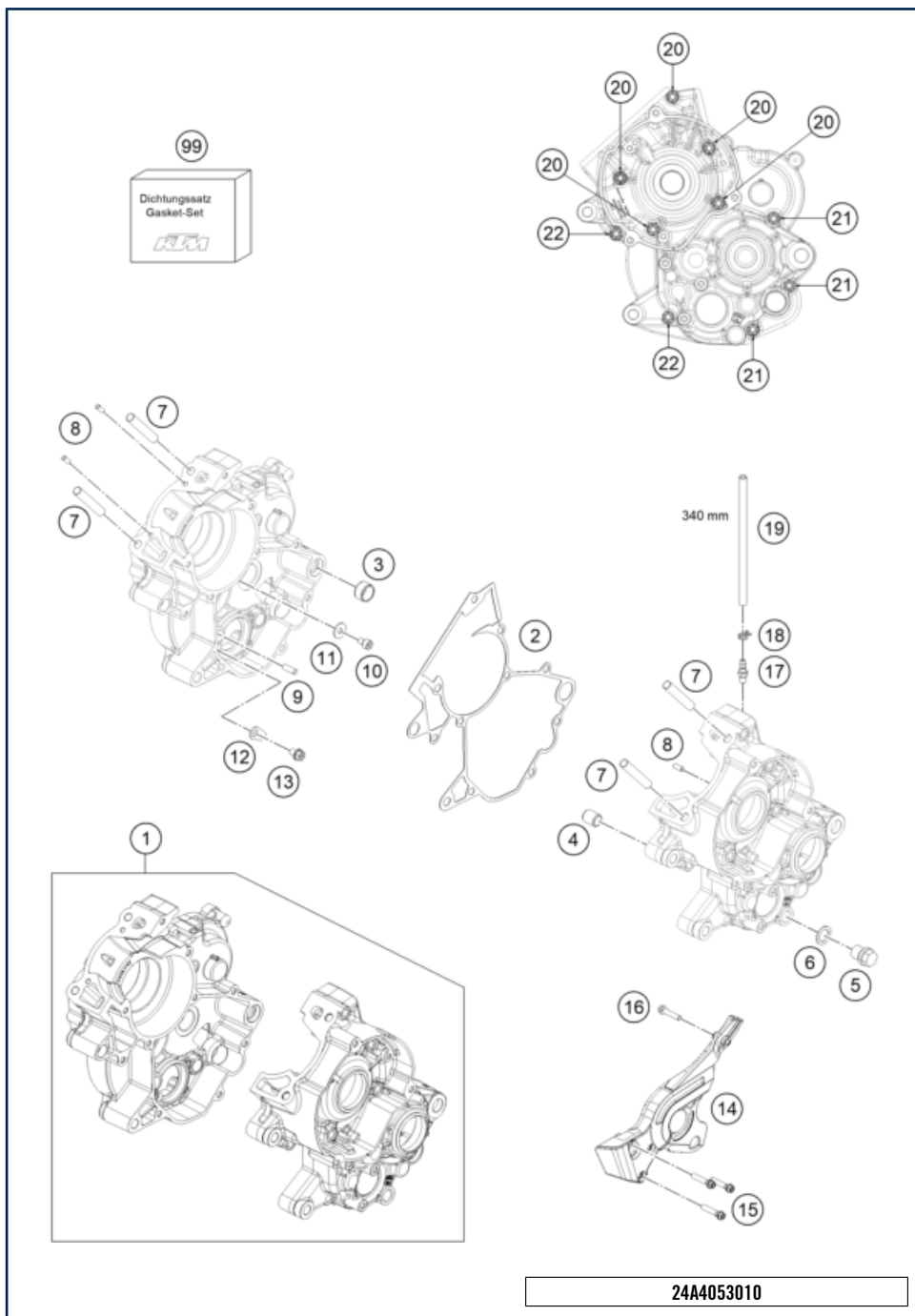


All information contained is without obligation. KTM Sportmotorcycle GmbH particularly reserves the right to modify any equipment, technical specifications, prices, colors, shapes, materials, services, service work, constructions, equipment and the like so as to adapt them to local conditions or to cancel any of the above items, all without previous announcement and without giving reasons. KTM may stop manufacturing certain models without previous notice. KTM shall not be held liable for any deviations of availability and/or ability to deliver, illustrations, descriptions, printing and/or other errors. The illustrated models partly contain extra equipment, which is not applied to standard models.

© by KTM Sportmotorcycle GmbH, Mattighofen AUSTRIA; All rights reserved; Reprint, also in extracts, with written allowance of KTM Sportmotorcycle GmbH, Mattighofen only.

<p>ENGINE CASE</p>  <p style="text-align: right;">3</p>	<p>CLUTCH COVER</p>  <p style="text-align: right;">4</p>	<p>CYLINDER, CYLINDER HEAD</p>  <p style="text-align: right;">5</p>	<p>CRANKSHAFT, PISTON</p>  <p style="text-align: right;">6</p>
<p>REED VALVE CASE</p>  <p style="text-align: right;">7</p>	<p>CARBURETOR</p>  <p style="text-align: right;">8</p>	<p>CLUTCH</p>  <p style="text-align: right;">9</p>	<p>CLUTCH CONTROL</p>  <p style="text-align: right;">10</p>
<p>TRANSMISSION</p>  <p style="text-align: right;">11</p>	<p>KICK STARTER</p>  <p style="text-align: right;">12</p>	<p>SHIFTING MECHANISM</p>  <p style="text-align: right;">13</p>	<p>WATER PUMP</p>  <p style="text-align: right;">14</p>

<p>COOLING SYSTEM</p>  <p style="text-align: right;">15</p>	<p>IGNITION SYSTEM</p>  <p style="text-align: right;">16</p>		



24A4053010

POS	PARTNUMBER		PIECE
1	A4053000044	Motor Housing cpl. with bearing	1
2	46230039000	ENGINE CASE GASKET	1
3	58330023000	DOWEL 17 X 14 X 9,5	1
4	46230024000	DOWEL 12X9X14,5	1
5	58030021100	oil drain plug with magnet	1
6	58038022000	CU-SEAL RING DIN7603-12X18X1,5	1
7	0835080326	STUD DIN 835 M8X32	4
8	0402040980	NEEDLE ROL.DIN5402 NRB 4X9,8	3
9	58030021120	Magnet 5x15	1
10	0912050083	SHCS DIN 912 M5x8	1
11	0021050003	washer DIN 9021 A - 5.3	1
12	54634049000	RETAINING PLATE	1
13	0025060106S	Hex collar screw M6x10 ISA30 SS	1
14	A40530096000	Front sprocket cover	1
15	0025060306	HH collar screw M6x30 TX30	3
16	0025080356	HH collar screw M8x35 TX40	1
17	58336020190	VACUUM CONECTION M6/3MM '97	1
18	45230089000	YDNAC-CLAMP 10068 (6,8MM)	1
19	45230088000	ENGINE BREATHER HOSE	1
20	0025060556	HH collar screw M6x55 TX30	5
21	0025060306	HH collar screw M6x30 TX30	3
22	0025060406	HH collar screw M6x40 TX30	2
99	A40530099000	Motordichtsatz 65	1

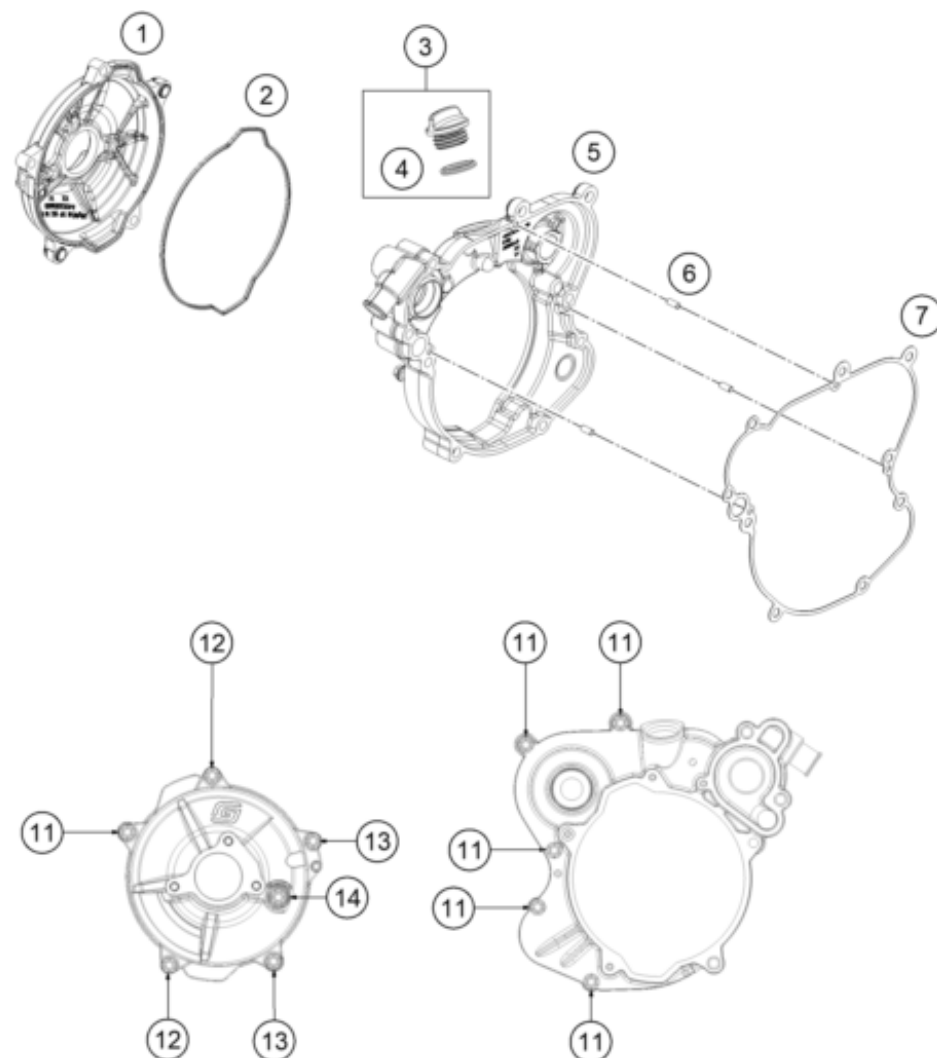
68503

* NEW PART

X ON DEMAND

CLUTCH COVER

Engine MC 65 2024 2024



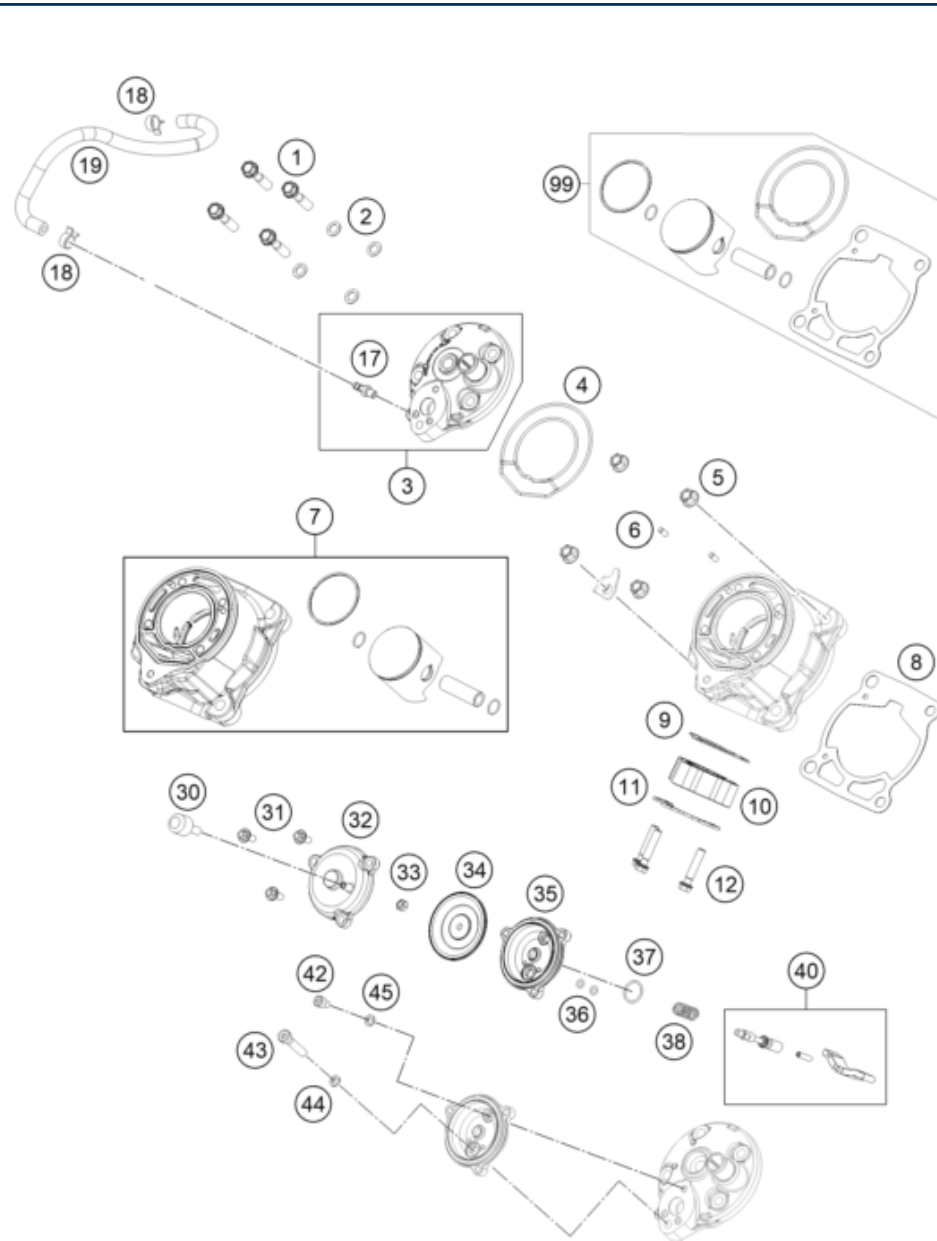
POS	PARTNUMBER		PIECE
1	A4053012600091	outer clutch cover	1
2	46230027000	GASKET - CLUTCH OUTER COVER	1
3	79430020033	OIL FILLER CAP M24x3 WITH O-R	1
4	0770191015	O-RING 19,00X3,00 NBR	1
5	A40530001000	Inner clutch cover	1
6	0402040980	NEEDLE ROL.DIN5402 NRB 4X9,8	3
7	A40530025000	Clutch cover gasket int.	1
11	0025060256	HH collar screw M6x25 TX30	6
12	0025060206	HH collar screw M6x20 TX30	2
13	0025060556	HH collar screw M6x55 TX30	2
14	0025060086	HH collar screw M6x8 TX30	1

24A4053021

68571

* NEW PART

X ON DEMAND



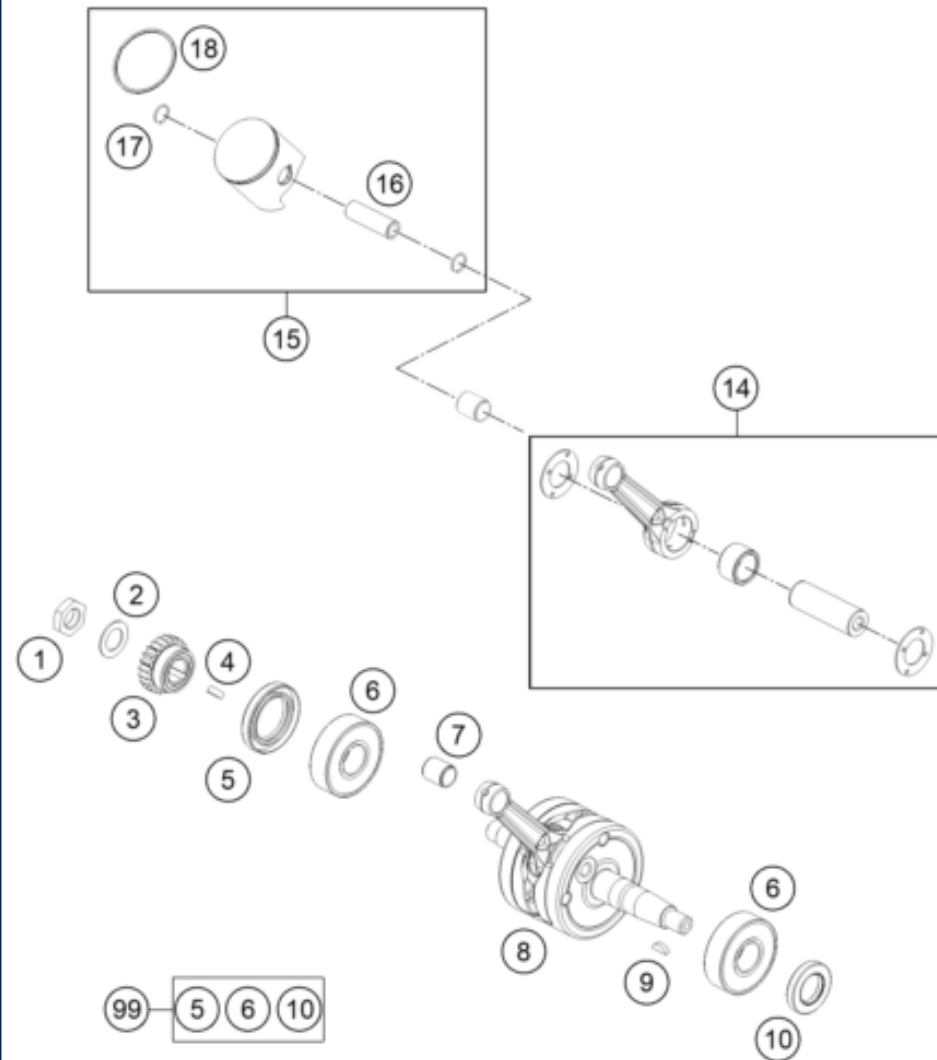
POS	PARTNUMBER		PIECE
1	50430079000	CYLINDER HEAD SCREW	4
2	0603070121	CU-SEAL RING DIN7603- 7,3X12X1	4
3	46230006100	Cylinder head	1
4	45230036000	CYLINDER HEAD GASKET	1
5	46030045000	flanged nut M8 WS10	4
6	0402040980	NEEDLE ROL.DIN5402 NRB 4X9,8	2
7	46230138000	Cylinder + piston	1
8	A40530035020	Cylinder base gasket	x
8	A40530035025	Cylinder base gasket	x
8	A40530035040	Cylinder base gasket	x
8	A40530035050	Cylinder base gasket	x
8	A40530035060	Cylinder base gasket	x
9	46205004000	EXHAUST PIPE FLANGE GASKET	1
10	46305003000	Exhaust flange 65	1
11	46205003050	BRACKET FOR SPRINGHOLDER	1
12	0025060306S	HH collar screw M6x30 TX30	3
17	58336020190	VACUUM CONECTION M6/3MM '97	1
18	59007017000	CLAMP YDNAC 10096F (9,6MM)	2
19	A40537014000	Exhaust control hose	1
30	46237036044	VENTILATION CPL.	1
31	0014050163	HH COLLAR SCREW M 5X16 WS=6	3
32	46337035000	Closing cover	1
33	0985050003	SELF LOCKING NUT DIN0985-M 5	1
34	46237013000	MEMBRANE	1
35	46337011000	Flange, exhaust control	1
36	0770030015	O-RING 3,00X1,50 NBR 70	2
37	0770150151	O-RING 15,00X1,50 VITON	1
38	46237074100	ADJ. SPRING - EXHAUST CONTROL	1
40	46337020033	OUTLET VALVE CPL.	1
42	0912050083	SHCS DIN 912 M5x8	1
43	0012060303S	Cap head screw M6x30-8.8	1
44	0603061001	CU-SEAL RING DIN7603-6X10X1	1
45	0603050901	COPPERT GASKET 5X9X1	1
99	A40530007010 I	piston kit I 65 SX/TC/MC	x
99	A40530007010 II	piston kit II 65 SX/TC/MC	x

24A4053050

68512

* NEW PART

X ON DEMAND



POS	PARTNUMBER		PIECE
1	46030029000	HH NUT 14X1,25X7 WS=22	1
2	83061015000	STOP DISK 15,2X25X1 MM	1
3	A40532023023	Primary gear	1
4	0888040050	woodruff key DIN 6888 4x5x13	1
5	0760304774E	Rotary shaft lip-type seal 30x47x7 B Vit	1
6	46030082200	GROOVED BALL BEAR.20X52X15 NTN	2
7	46030034000	NEEDLE BEAR.PISTONPIN 12X15X17	1
8	A40530018000	Crankshaft	1
9	0888030050	WOODRUFF KEY DIN6888-3X5X13	1
10	47030076100	SEAL SHAFT RING 20X35X6 BTSL	1
14	46230015000	CONNECT. ROD REPAIR SET	1
15	46230007100 I	Piston cpl. I	x
15	46230007100 II	Piston cpl. II	x
16	46230033100	Piston pin	1
17	45230074000	CIRCLIP 09	2
18	46030030500	PISTON RING 45MM 65CCM	1
99	46230018010	CRANKSHAFT REP. KIT	x

24A4053060

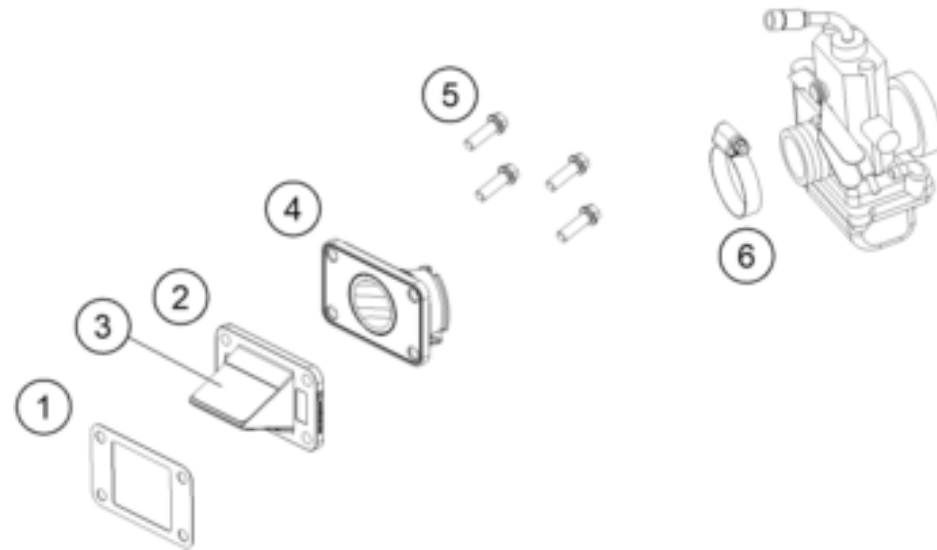
68501

* NEW PART

X ON DEMAND

REED VALVE CASE

Engine MC 65 2024 2024



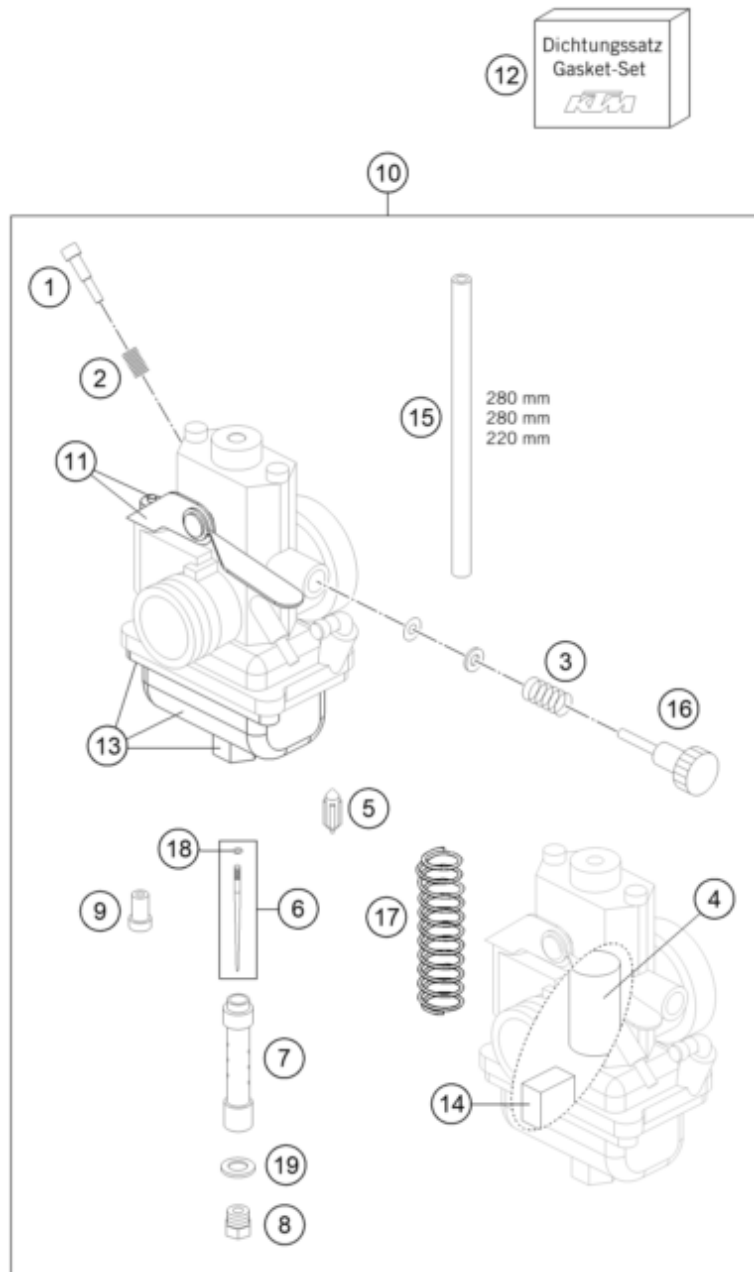
POS	PARTNUMBER		PIECE
1	46230049000	GASKET MEMBRAN CASE	1
2	46230151044	REED VALVE ASSY CPL.	1
3	46230152028	Membrane	1
4	46230050000	INTAKE FLANGE	1
5	0025060206	HH collar screw M6x20 TX30	4
6	10001120000	CLAMP 25-40 SGT 4	1

154623070

15756

* NEW PART

X ON DEMAND



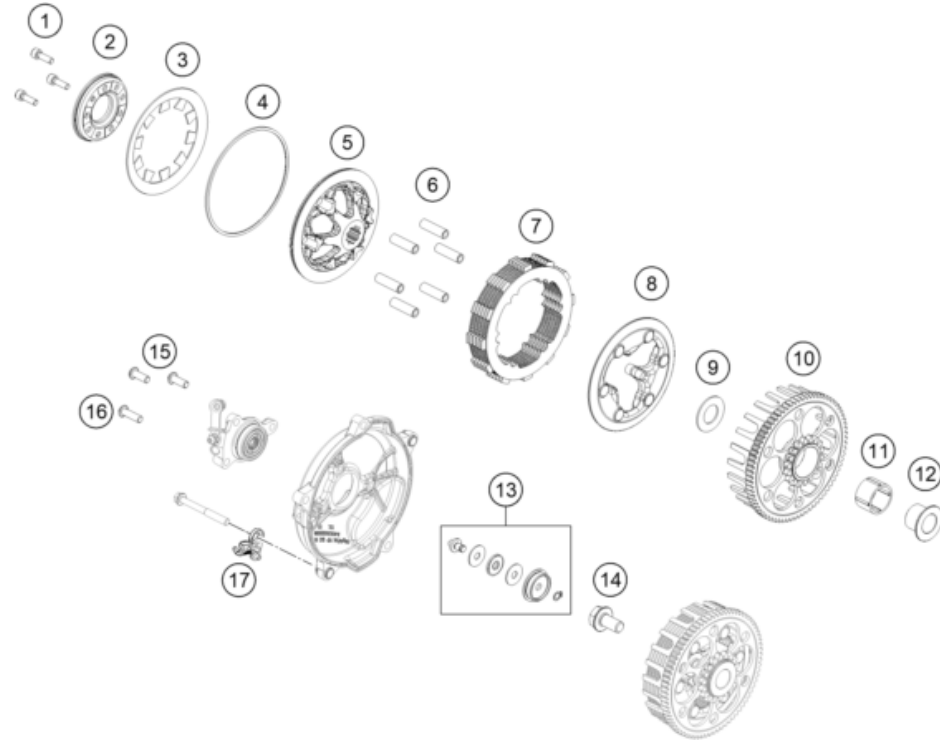
POS	PARTNUMBER		PIECE
1	46131017000	ADJUSTING SCREW MIKUNI	1
2	45031015200	SPRING IDLE ADJUST SCREW	1
3	45031015000	SPRING	1
4	46231035000	THROTTLE VALVE MIKUNI 2.5	1
5	46231020100	NEEDLE VALVE CPL. 2.5	1
6	46231034000	JET NEEDLE MIKUNI 5IPL43-2	1
6	46231134000	Jet needle "5N17"	x
7	46231034100	MAIN JET HOLDER MIKUNI	1
8	45031023195	MAIN JET 195	x
8	45031023200	MAIN JET 200	x
8	45031023205	MAIN JET 205	x
8	45031023210	MAIN JET 210	x
8	45031023215	MAIN JET 215	x
8	45031023220	MAIN JET 220	x
8	45031023225	MAIN JET 225	x
8	45031023230	MAIN JET	x
9	45031007010	IDLE JET 10 MIKUNI	x
9	45031007015	IDLING JET 15 MIKUNI	x
9	45031007020	IDLING JET 20 MIKUNI	x
9	45031007025	IDLING JET 25 MIKUNI	x
9	45031007000	IDLING JET	x
10	A40531001044	Carburetor	1
11	46231048044	CHOKE + LEVER CPL.	1
12	46231099000	GASKET SET MIKUNI	1
13	46231011044	FLOAT BODY + SCREW + GASKET	1
14	46231009044	FLOAT + PIN	1
15	52031137001	PVC-HOSE 3X5MM	1
16	46231094000	ADJUSTER SCREW	1
17	46231035050	THROTTLE VALVE SPRING	1
18	46231034060	Lock ring	1
19	46231034050	Washer	1

214623110

68514

* NEW PART

X ON DEMAND



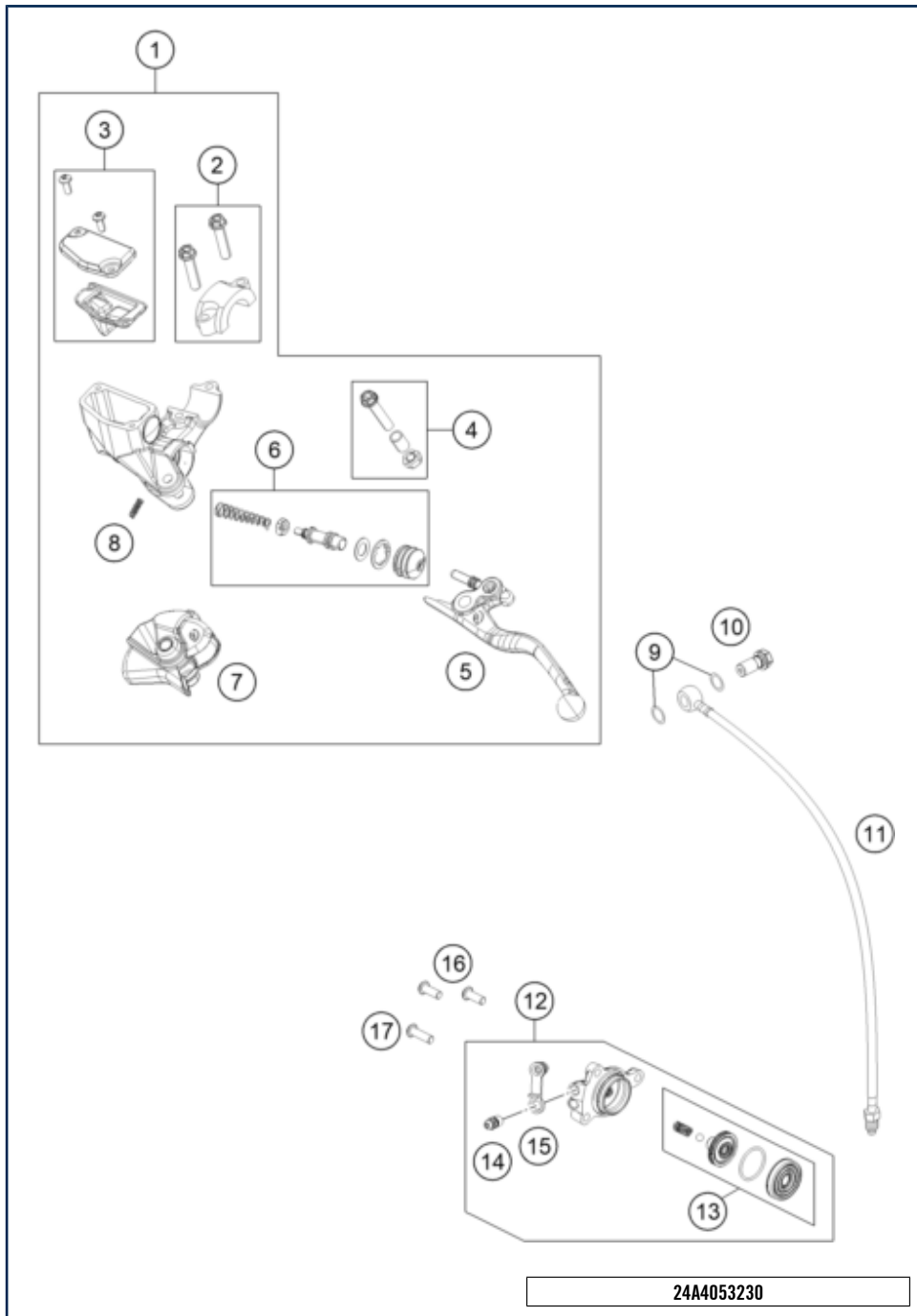
POS	PARTNUMBER		PIECE
1	0912050163	AH SCREW DIN0912-M 5X16	3
2	A40532006000	Spring retainer	1
3	A40532005000	Clutch spring	1
4	47232013000	Inner ring 94x99x1.5	1
5	A40532002000	Inner clutch hub	1
6	A40532004000	Clutch sleeve 7.95x27.2	6
7	A40532010033	Clutch plate pack	1
8	A40532003000	pressure plate	1
9	46232012000	STOP DISC 17,2X32X1,5	1
10	A40532001075	clutch basket	1
11	0405222817	Bearing outer clutch hub	1
12	0800001701900	Collar sleeve 17x22x18.8	1
13	46232057000	PRESSURE PIECE CPL.	1
14	46132019000	HH COLLAR SCREW M10X20	1
15	0073800601600S	Oval head screw M6x16 Precote	2
16	0073800602000S	Oval head screw M6x20 TX30 Precote	1
17	A40532060050	line guide	1

24A4053210

68506

* NEW PART

X ON DEMAND



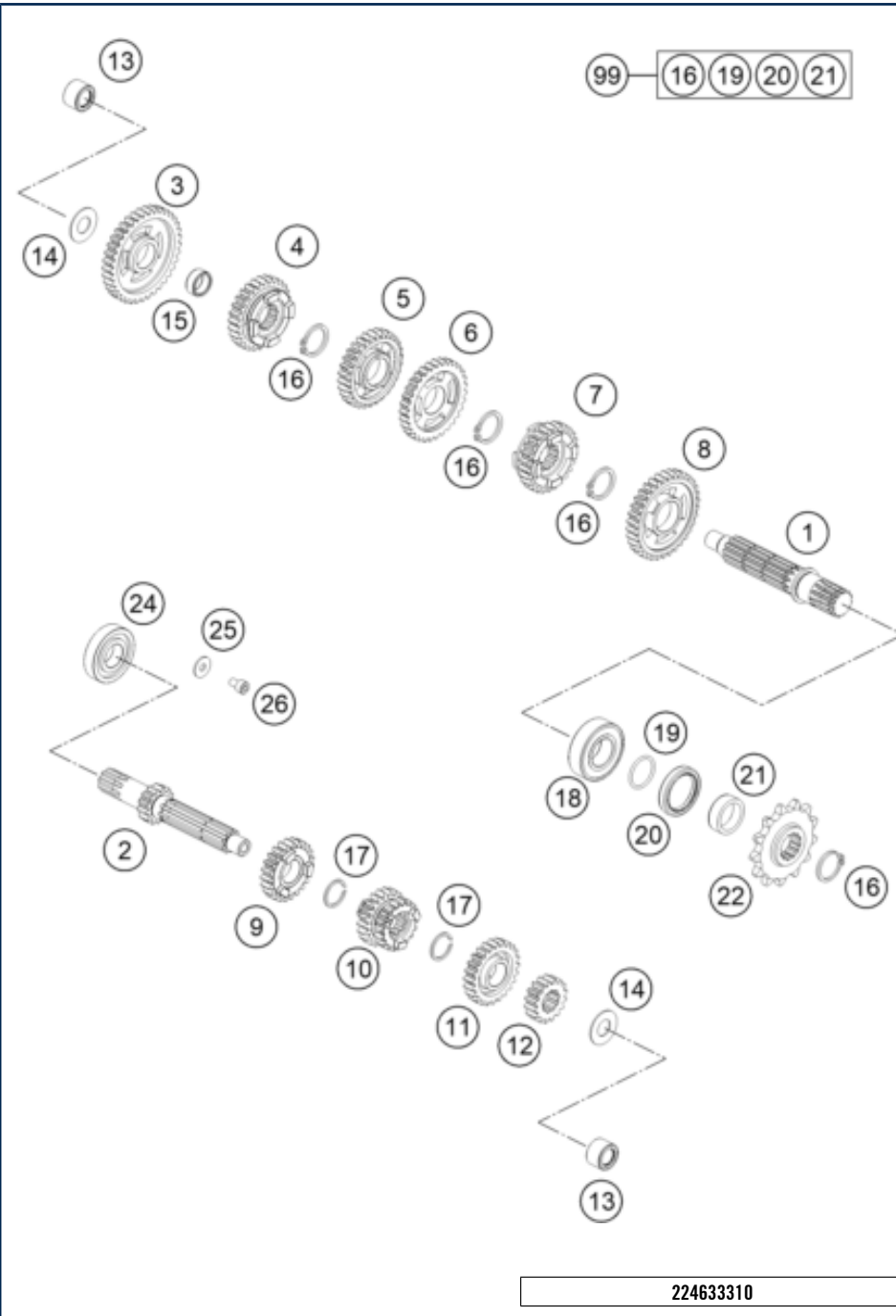
POS	PARTNUMBER		PIECE
1	47202030044	Complete master cylinder	1
2	47213005000	Clamp Kit	1
3	47202003000	Reservoir Kit	1
4	70002038000	LEVER SCREW CPL.	1
5	47202031000	Lever Kit	1
6	72002032000	REP. KIT PISTON 10MM	1
7	72002037000	MUDCOVER CLUTCH LEVER	1
8	72002035000	SPRING FOR CLUTCH LEVER	1
9	0770080019	O-RING 8,00X1,00 FORMULA	2
10	47013025000	HOLLOW SCREW BRAKE CYLINDER 03	1
11	A40532063100	CLUTCH PIPE	1
12	A40532061044	OUTPUT CYLINDER CPL.	1
13	47132066000	PISTON CPL.	1
14	47013085000	BLEEDER SCREW M8X1	1
15	47013021000	CAP FOR BLEEDER SCREW	1
16	0073800601600S	Oval head screw M6x16 Precote	2
17	0073800602000S	Oval head screw M6x20 TX30 Precote	1

24A4053230

68518

* NEW PART

X ON DEMAND



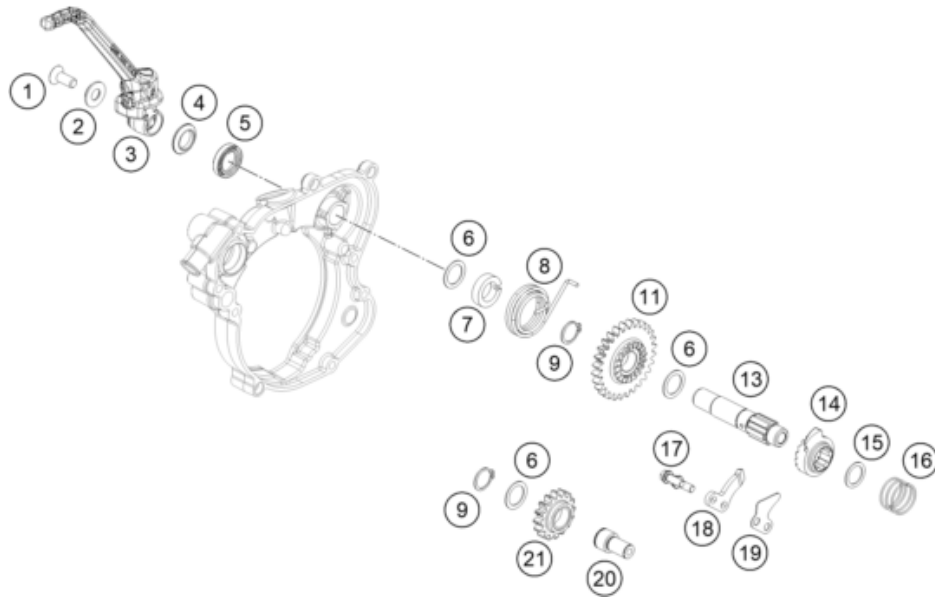
POS	PARTNUMBER		PIECE
1	46233010000	COUNTERSHAFT	1
2	46233001000	MAIN SHAFT 13-T	1
3	46233011000	IDLER GEAR 1.G.	1
4	46233015000	SLIDING GEAR 5.G.	1
5	46233014000	IDLER GEAR 4.G	1
6	46233013100	IDLER GEAR 3.G	1
7	46233016000	SLIDING GEAR 6.G.	1
8	46233012000	IDLER GEAR 2.G	1
9	46233005000	IDLER GEAR 5.G.	1
10	46233003000	SLIDING GEAR 3/4. G	1
11	46233006000	IDLER GEAR 6.G.	1
12	46233002000	SOLID GEAR 2.G	1
13	0618121912	NEEDLE BUSH NK1212	2
14	49033013000	STOP DISK 12,1X25X1	2
15	46033020000	NEEDLE BEARING 14X18X8	1
16	49033091000	CIRCLIP AS20X1,75	4
17	46233022000	LOCK RING	2
18	46033028000	GROOVED BALL BEARING 20X42X12	1
19	0770020020	O-RING 20X2 VITON	1
20	0760263561	SHAFT SEAL RING 26X35X6BSL NB	1
21	46233030000	DISANCESPACER F. SPROCKET	1
22	46233029014	CHAIN SPROCKET 14-T.	1
22	46233029013	CHAIN SPROCKET 13-T.	x
24	0625982031	Grooved ball bearing 6203 W9 Jr C3	1
25	0021050003	washer DIN 9021 A - 5.3	1
26	0912050083	SHCS DIN 912 M5x8	1
99	00050000947	COUNTER SHAFT REP.KIT 65 SX	x

224633310

56772

* NEW PART

X ON DEMAND



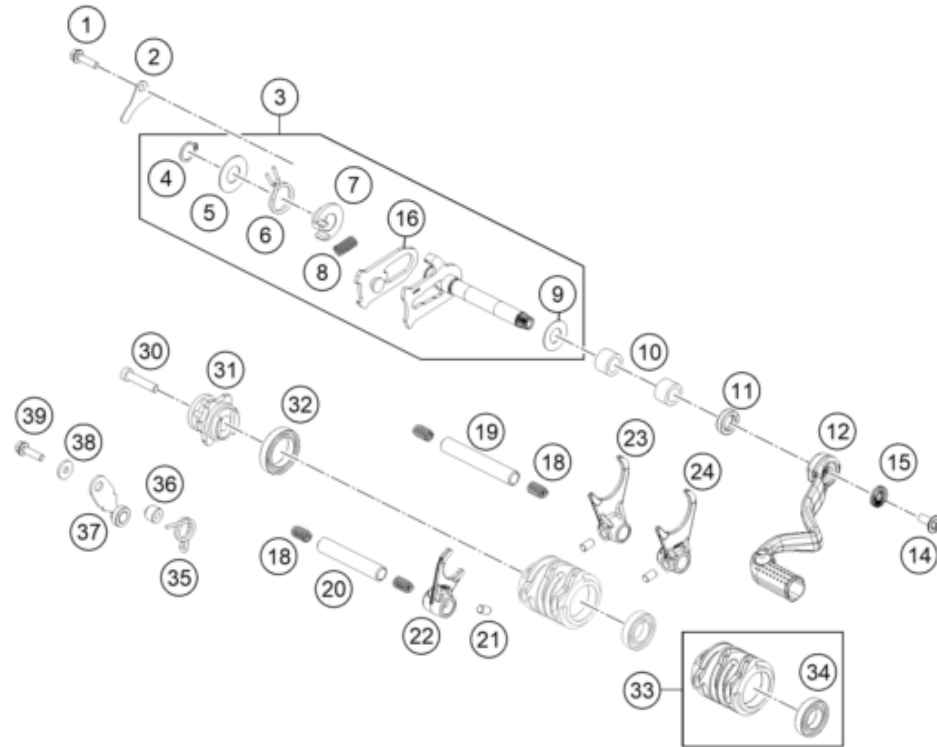
POS	PARTNUMBER		PIECE
1	0019080206	COUNTER-SUNK SCREW ISA45 M8X20	1
2	54633037000	WASHER 8MM GALVANIZED	1
3	A40533070044	Kick-starter system complete	1
4	46233038000	SPACER SLEEVE	1
5	0760172860	SHAFT SEAL RING 17X28X6B NBR	1
6	50333030000	STOP DISK 17,2X24X1	3
7	50333055000	DRIVING HUB 125/200'98	1
8	50333054000	KICKSTARTER SPRING 2,6MM '98	1
9	0471170010	CIRCLIP DIN0471-17X1	2
11	77033051000	KICKSTART. GEAR 28-T 05	1
13	50333050000	KICKSTARTER SHAFT 125/200'98	1
14	50333052000	KICKSTARTER RATCHET	1
15	0988162210	THRUST WASHER DIN0988-16X22X1	1
16	50333056000	SPRING 1,4MM '98	1
17	0025060166	HH collar screw M6x16 TX30	2
18	50333069000	STOP MET.SHEET 4MM 125/200'98	1
19	46233069001	COVER PLATE	1
20	46233018000	BEARING PIN IDLER GEAR	1
21	46233053016	INTERMEDIATE STARTING GEAR	1

24A4053390

68509

* NEW PART

X ON DEMAND



POS	PARTNUMBER		PIECE
1	0025050126S	Hex collar screw M5x12 ISA30 SS	1
2	46234005110	SHIFTING SHAFT FENDER RET. PL.	1
3	A40534005044	Shift shaft cpl.	1
4	0471140100	retaining ring DIN 471 14x1	1
5	54634050000	STOP DISK 14X30X1	1
6	54834014000	RETURN SPRING 03	1
7	54634020000	SPRING GUIDE	1
8	56534013100	TENSIONING SPRING 0,8MM	1
9	49033013000	STOP DISK 12,1X25X1	1
10	46034027000	NEEDLE BEARING 12X18X12 2002	2
11	0760122050	SHAFT SEAL RING 12X20X5 B	1
12	A40534031000	Gear shift lever	1
14	0024060156S	HH collar screw M6x15 TX30	1
15	50233041500	PAIR NORDLOCK WASHER M6	1
16	A40534008044	Sliding plate cpl.	1
18	58038023400	Compression spring L=25mm D=0.9mm	4
19	A40534019000	Shift fork shaft (L=75.5 mm)	1
20	A46034020000	Shift fork shaft (L=66 mm)	1
21	0402061000	NEEDLE ROLLER ZRB 6X10	3
22	46234001000	SHIFT FORK MAIN SHAFT	1
23	46234002000	SHIFT FORK COUNTERSHAFT R/S	1
24	46234003000	SHIFT FORK COUNTERSHAFT L/S	1
30	0912060303	AH SCREW DIN0912-M 6X30	1
31	46234015100	Shift drum location cpl.	1
32	0410002500700	Grooved ball bearing 6805 JR C3	1
33	46234012033	SHIFT ROLLER CPL.	1
34	0625069034	BALL BEARING 6903 C4	1
35	54834023000	LOCKING LEVER SPRING 03	1
36	54634052300	SLEEVE FOR LOCKING LEVER	1
37	A46034024044	Detent arm cpl.	1
38	0021050003	washer DIN 9021 A - 5.3	1
39	0025050256S	HH collar screw M5x25 TX30	1

24A4053410

68504

* NEW PART

X ON DEMAND



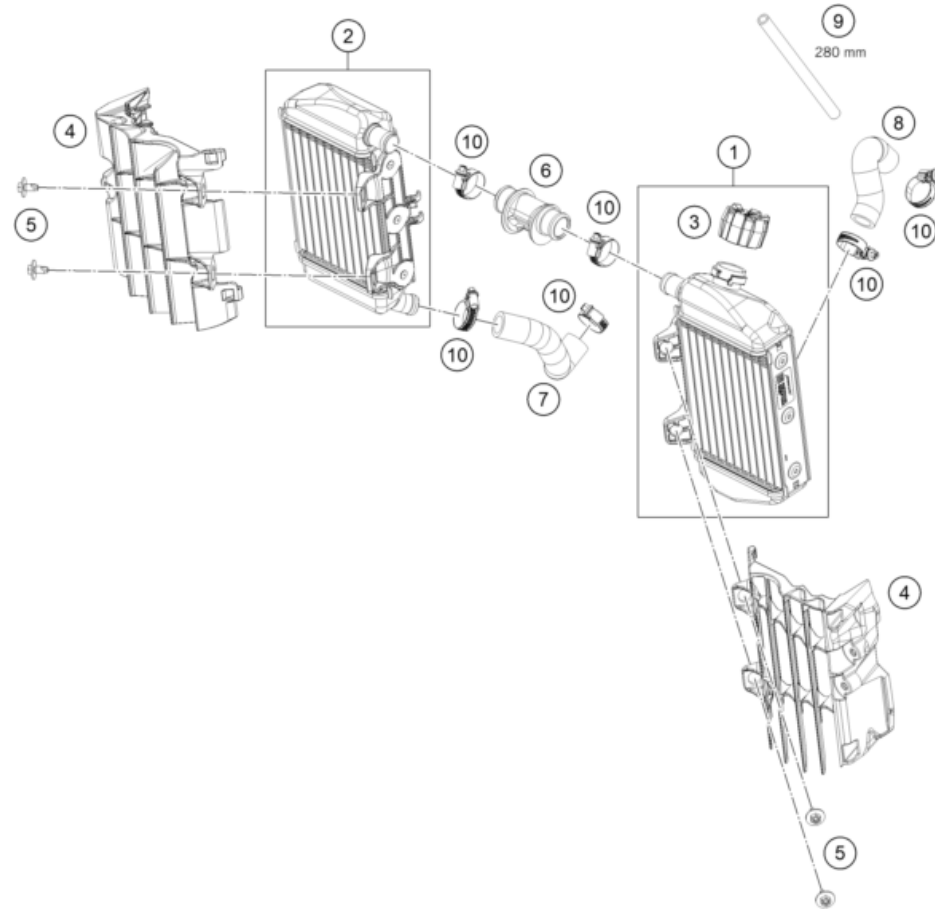
POS	PARTNUMBER		PIECE
1	0025060086	HH collar screw M6x8 TX30	1
2	0603061001	CU-SEAL RING DIN7603-6X10X1	1
3	0025060556	HH collar screw M6x55 TX30	2
4	0025060126	HH collar screw M6x12 TX30	1
5	A40035052000	Water pump cover	1
6	A40035053000	Gasket with carrier plate	1
7	49030090000	DOWEL 9,8 X 7 X 10	2
8	0015870501000	Cap nut M5 DIN 1587	1
9	50435049000	PREFORMED WASHER	1
10	79235055044	WATER PUMP WHEEL CPL.	1
11	0760082472	SHAFT SEAL RING 8X24X7 A DUO	1
12	A40035054050	Water pump shaft, loose	1
13	0625060001	BALL BEARING 6000/C3	1
14	45235054028	DRIVE WHEEL	1
15	0625006065	Ball bearing 696 DDM1 C3	1

24A4053510

68511

* NEW PART

X ON DEMAND



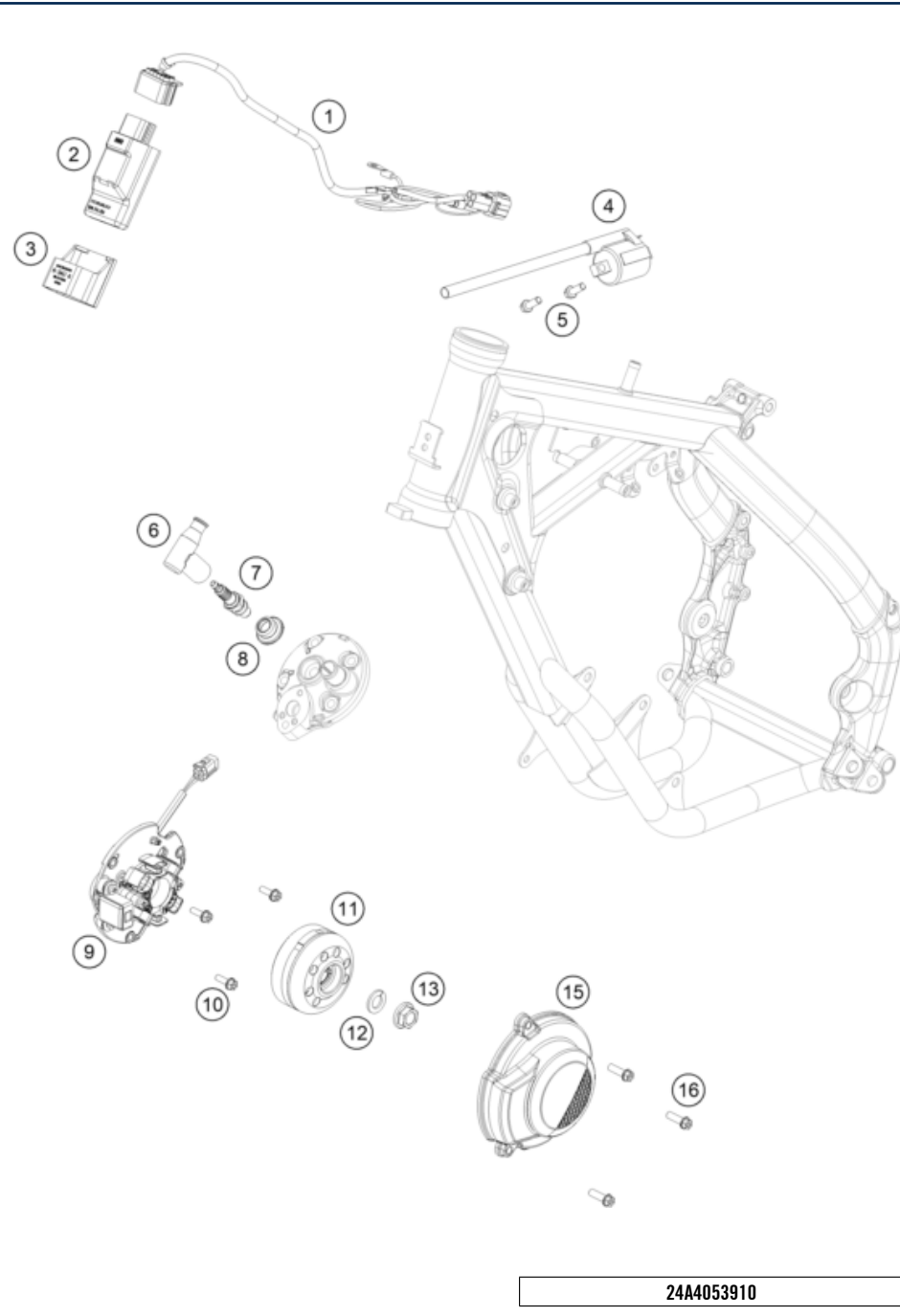
POS	PARTNUMBER		PIECE
1	A40535007000	radiator left	1
2	A40535008000	radiator right	1
3	A46035009000	Radiator cap	1
4	A40535034044C1	Radiator protection set	1
5	0900000601203	HH ISR collar screw M6x12-10.9 ISA30	4
6	A40535025000	Radiator connector top	1
7	A40535027000	Radiator pre-formed hose r./water pump	1
8	A40535028000	Radiator pre-formed hose left cylinder	1
9	55007016001	PVC-HOSE 7X10 PER METER	x
10	0310000902400	Hose clip 14-24	6

24A4053530

68515

* NEW PART

X ON DEMAND



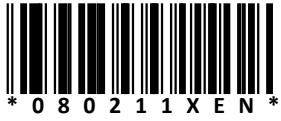
POS	PARTNUMBER		PIECE
1	A40511075000	Main wiring harness	1
2	A40539031000	CDI control unit	1
3	A40539030000	Rubber support CDI	1
4	A40539006000	Ignition coil	1
5	0025060166S	HH collar screw M6x16 TX30 SL	2
6	46239190000	Spark plug connector	1
7	A40039093012	Spark plug AR12C	1
8	A40539091000	Sealing boot	1
9	A40539004000	Stator	1
10	0025050166S	HH Collar Screw M5x16 ISA30 SS	3
11	A40539005000	Rotor	1
12	50230029012	LOCKING RING VSK 12	1
13	49030021000	COLLAR NUT M12X1 R/S	1
15	A40530002000	Ignition cover	1
16	0025060206	HH collar screw M6x20 TX30	3

24A4053910

68510

* NEW PART

X ON DEMAND



08/2023

ART.-NR.080211X



Stallhofnerstraße 3 / 5230 Mattighofen / Austria / www.gasgas.com