



MC 50 2024

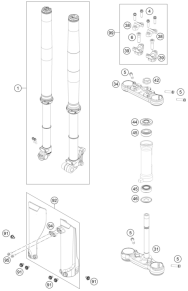
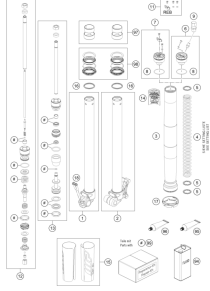
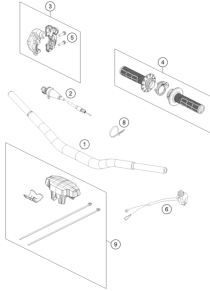
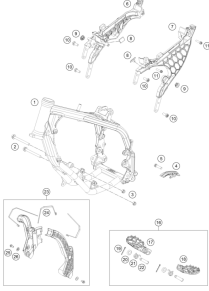
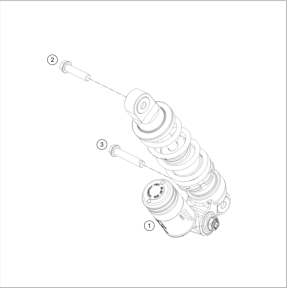
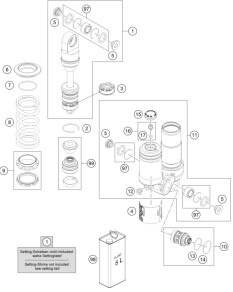
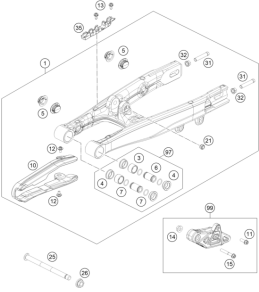
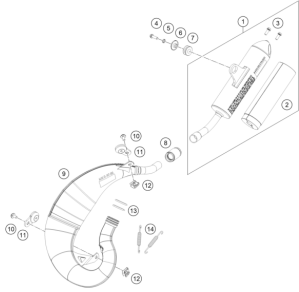
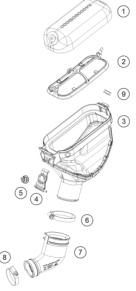
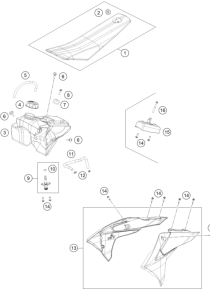
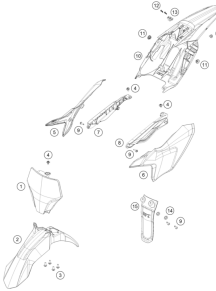
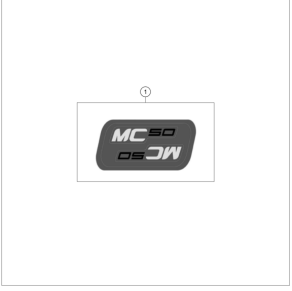
CHASSIS / ART.-NR.F0001X4 / **2024**
SPAREPARTSCATALOG

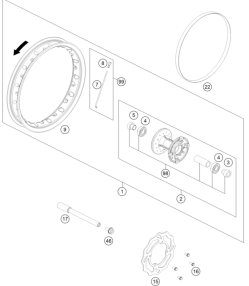
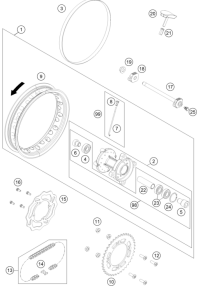
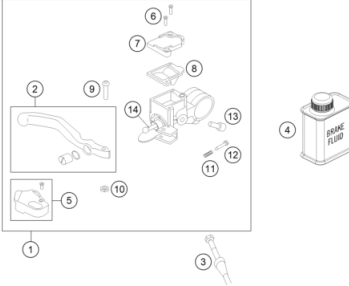
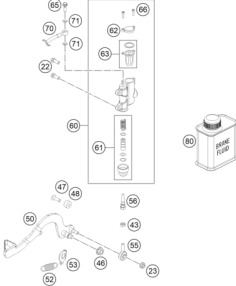
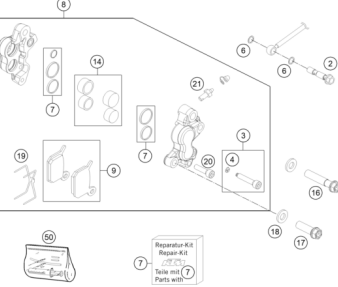
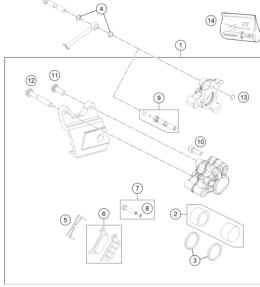
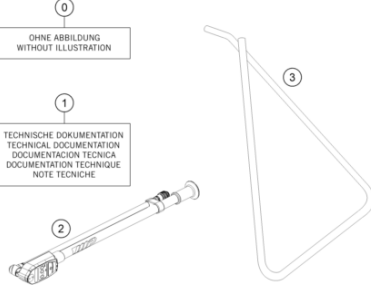

GASGAS

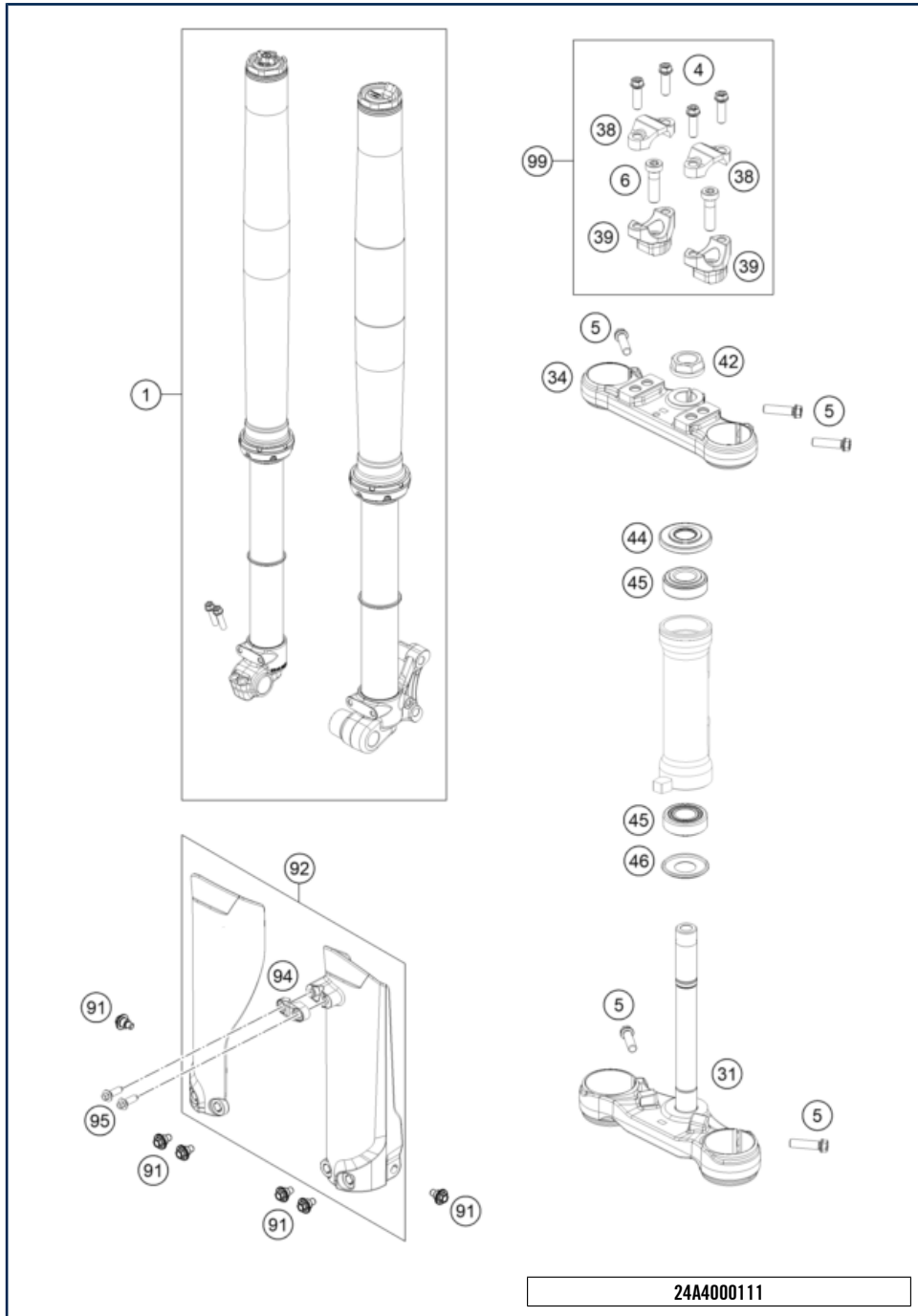


All information contained is without obligation. KTM Sportmotorcycle GmbH particularly reserves the right to modify any equipment, technical specifications, prices, colors, shapes, materials, services, service work, constructions, equipment and the like so as to adapt them to local conditions or to cancel any of the above items, all without previous announcement and without giving reasons. KTM may stop manufacturing certain models without previous notice. KTM shall not be held liable for any deviations of availability and/or ability to deliver, illustrations, descriptions, printing and/or other errors. The illustrated models partly contain extra equipment, which is not applied to standard models.

© by KTM Sportmotorcycle GmbH, Mattighofen AUSTRIA; All rights reserved; Reprint, also in extracts, with written allowance of KTM Sportmotorcycle GmbH, Mattighofen only.

<p>FRONT FORK, TRIPLE CLAMP</p>  <p style="text-align: right;">3</p>	<p>FRONT FORK DISASSEMBLED</p>  <p style="text-align: right;">4</p>	<p>HANDLEBAR, CONTROLS</p>  <p style="text-align: right;">5</p>	<p>FRAME</p>  <p style="text-align: right;">6</p>
<p>SHOCK ABSORBER</p>  <p style="text-align: right;">7</p>	<p>SHOCK ABSORBER DISASSEMBLED</p>  <p style="text-align: right;">8</p>	<p>SWING ARM</p>  <p style="text-align: right;">9</p>	<p>EXHAUST SYSTEM</p>  <p style="text-align: right;">10</p>
<p>AIR FILTER</p>  <p style="text-align: right;">11</p>	<p>TANK, SEAT</p>  <p style="text-align: right;">12</p>	<p>MASK, FENDERS</p>  <p style="text-align: right;">13</p>	<p>DECAL</p>  <p style="text-align: right;">14</p>

<p>FRONT WHEEL</p>  <p style="text-align: right;">15</p>	<p>REAR WHEEL</p>  <p style="text-align: right;">16</p>	<p>FRONT BRAKE CONTROL</p>  <p style="text-align: right;">17</p>	<p>REAR BRAKE CONTROL</p>  <p style="text-align: right;">18</p>
<p>FRONT BRAKE CALIPER</p>  <p style="text-align: right;">19</p>	<p>REAR BRAKE CALIPER</p>  <p style="text-align: right;">20</p>	<p>SEPERATE ENCLOSURE</p>  <p style="text-align: right;">21</p>	<p>WP SHIMS FOR SETTING</p>  <p style="text-align: right;">22</p>
Empty cell	Empty cell	Empty cell	Empty cell

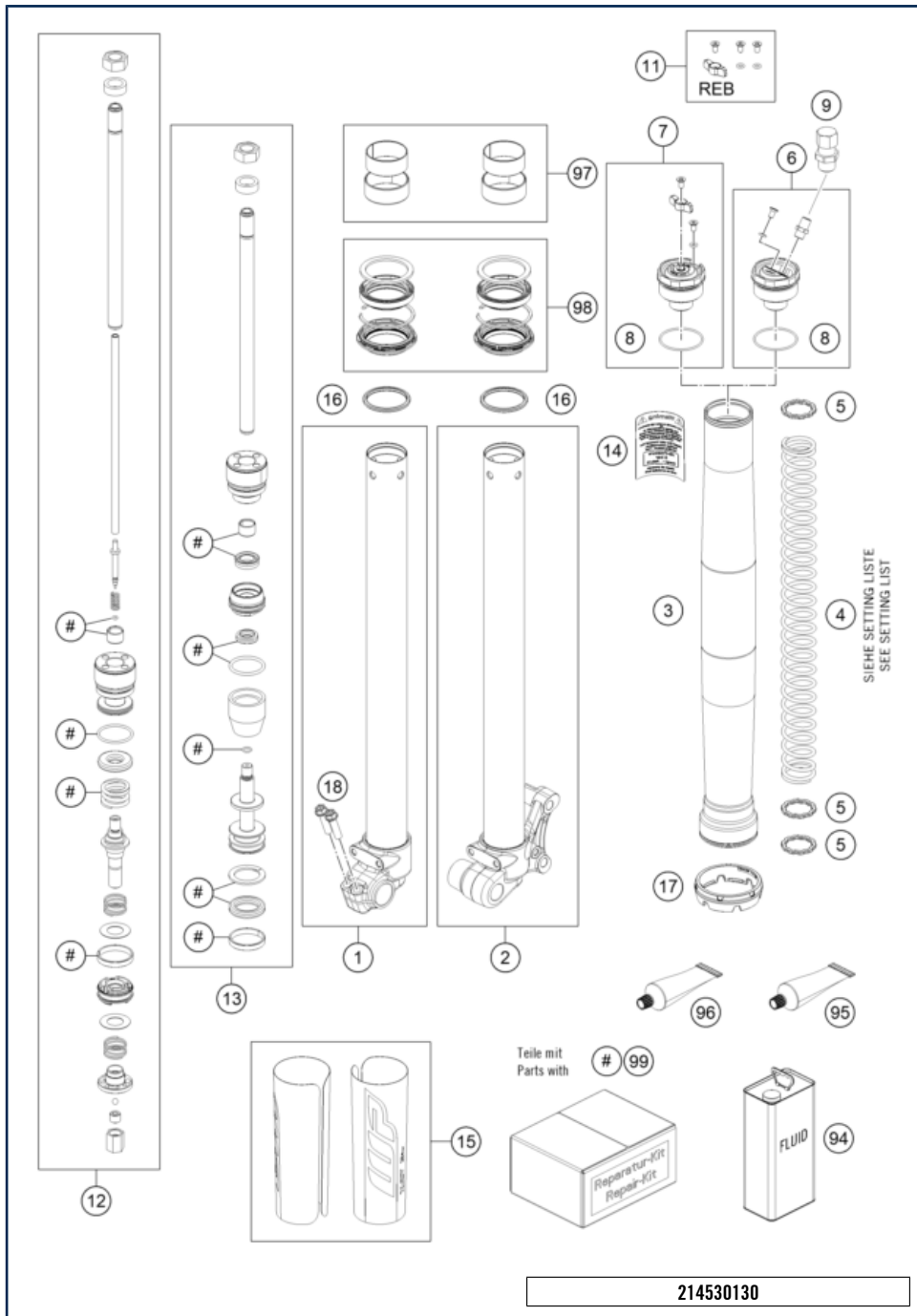


POS	PARTNUMBER		PIECE
1	07186U0201	Fork 50 SX/TC/Mini E 21	1
4	0025080256	HH collar screw M8x25	4
5	0025080306	HH collar screw M8x30	5
6	0032100356S	AH-COLLAR SCREW M10X35 ISA45	2
31	45301032022	Bottom triple clamp, complete, 2 rings	1
34	45301034022	Top triple clamp	1
38	77201038000	HANDLEBAR CLAMP 28MM	2
39	59401039032	HANDLEB.SUPP. D=28MM H=32MM 05	x
39	59401039037	HANDLEB.SUPP. D=28MM H=37MM 05	2
39	59401039042	HANDLEB.SUPP. D=28MM H=42MM 05	x
39	59401039047	HANDLEB.SUPP. D=28MM H=47MM 05	x
39	59401039052	handlebar support D28mm-H52mm	x
42	59030029000	HH NUT M20X1,5 WS=27 RIGHT	1
44	A53501084000	Steering head seal	1
45	49001081000	TAPERED ROLLER BEARING 32004X	2
46	0780000304400	Steering head seal	1
91	59001092050	SPECIAL SCREW M6X12,5 WS=8	6
92	46301094000FB	Fork protection kit MC 50/65 2021	1
94	46301085000AB	Clamp brake hose	1
95	0017060206	SCREW F. PLASTIC K60X20AL SW6	2
99	00050000921	HANDLEBAR SUPPORT KIT D28/H37	1

24A4000111

68888

* NEW PART X ON DEMAND

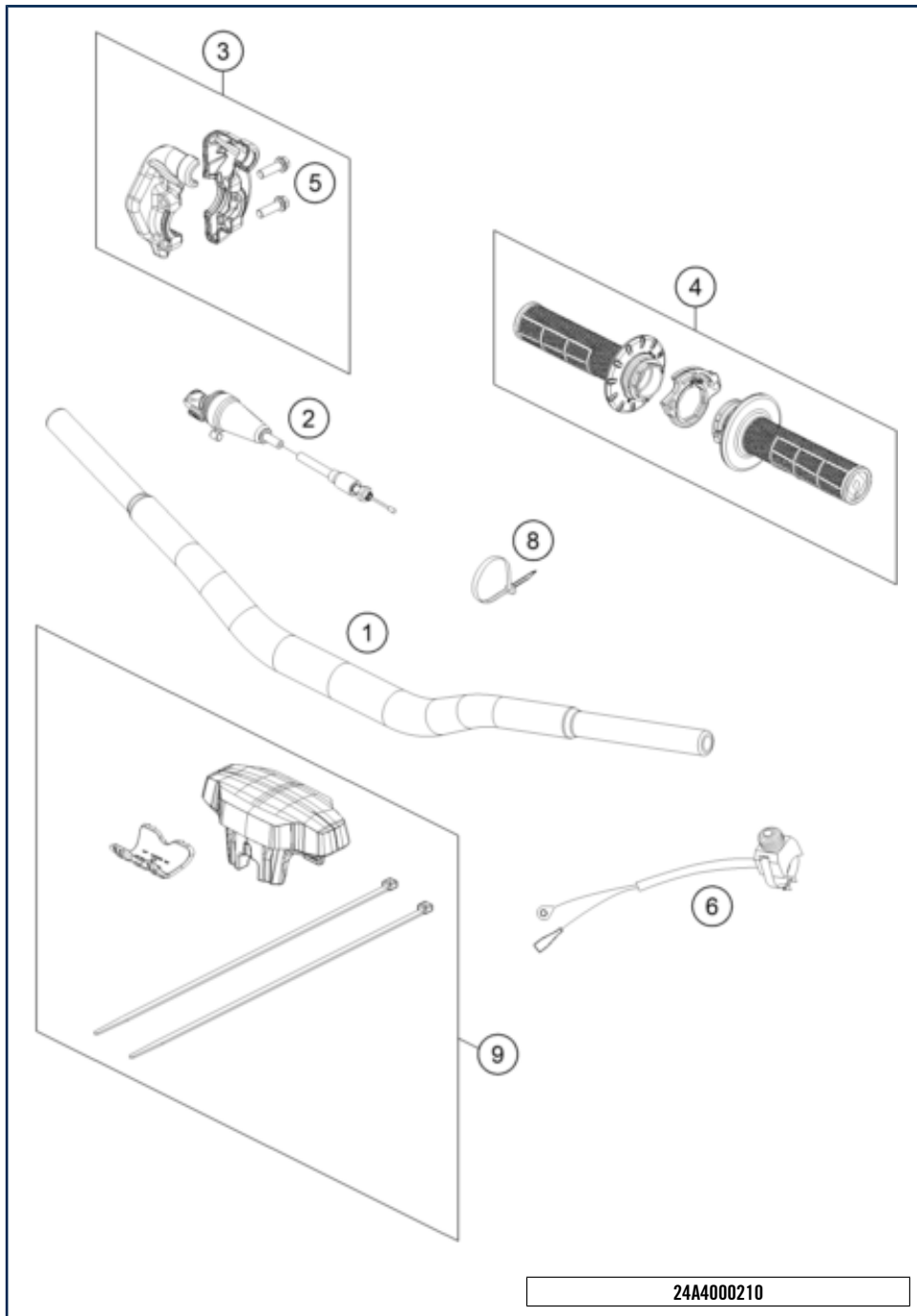


POS	PARTNUMBER		PIECE
1	35480455S3	AXLE CLAMP R/S CPL. W. TUBE	1
2	35480456S2	AXLE CLAMP L/S CPL. W. TUBE	1
3	35480585	Fork outer tube 36x425 dt42 db47	2
4	95010055S	SPRING 1,8 N/MM SET	x
4	95010051S	SPRING 2.0N/MM SET D=3.1MM	1
4	95010052S	SPRING 2,2 N/MM SET	x
5	35480497	Washer 22x30x2,5	x
6	35480599S	Screw cap M38x1,5 air d42 cpl.	1
7	35480600S	Screw cap M38x1,5 d42 cpl.	1
8	46180581	O-ring 35x1,5 NBR70 yellow	2
9	48601494S	VALVE M8X1 INCL. SCREW CAP	1
11	RP10021	Adjuster kit screw cap	1
12	35480551S6	pistonrod cpl. Right	1
13	35480551S7	pistonrod cpl. Left	1
14	52000313	Sticker warning 60x40	1
15	52000223SET	Sticker set XACT AER 140x141	1
16	35480583	Stroke indicator d35 red	2
17	35480623	Fork protection ring 48,4mm	2
18	0025060256	HH collar screw M6x25 TX30	2
94	48601166S1	Fork Fluid Viscosity 4.0 5L	x
95	T14034	Fuchs grease IPR (250g)	x
96	00062010053	special grease AER Fork 400g	x
97	RP10006	BUSHING KIT 35MM	x
98	RP10027	gasket kit 35mm black	x
99	RP10008	REPAIR KIT 50+65SX AIR 2017	x

214530130

54133

* NEW PART X ON DEMAND

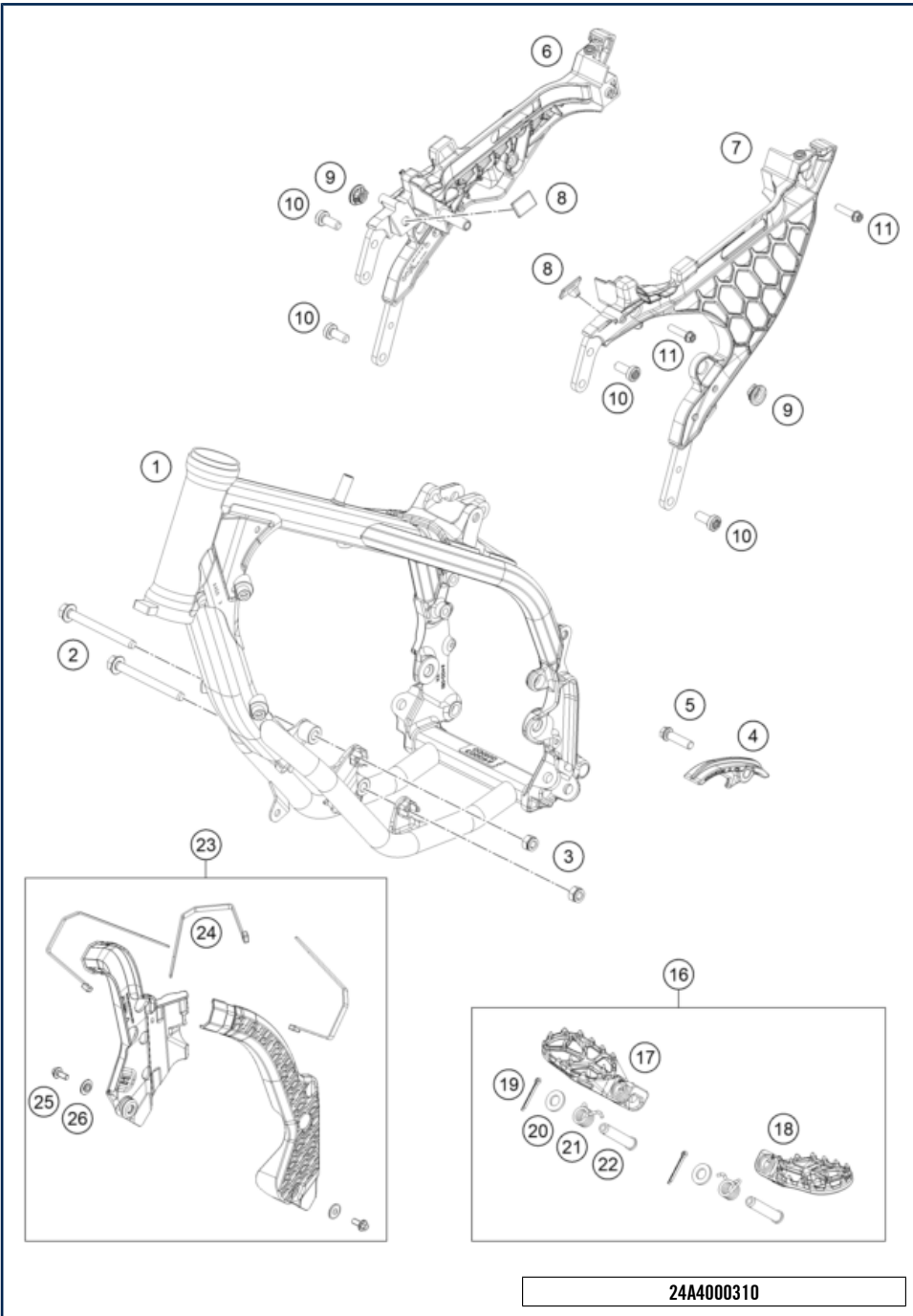


POS	PARTNUMBER		PIECE
1	A40002001000	Handlebar D=28mm	1
2	45302091000	Throttle cable, cpl. 50SX/TC	1
3	51702010044	Housing throttle twist grip cpl.	1
4	45402021100	Grip set	1
5	0025060206	HH collar screw M6x20 TX30	2
6	50311089200	SHORT CIRCUIT BUTTON 02	1
8	44011076140	CABLE TIE 140/2,5MM BLACK	x
8	44011076200	CABLE TIE 200/3,6MM BLACK	x
8	44011076305	CABLE TIE 300/4,8MM BLACK	x
9	45402102044	Handlebar pad cpl.	1

24A4000210

68812

* NEW PART X ON DEMAND



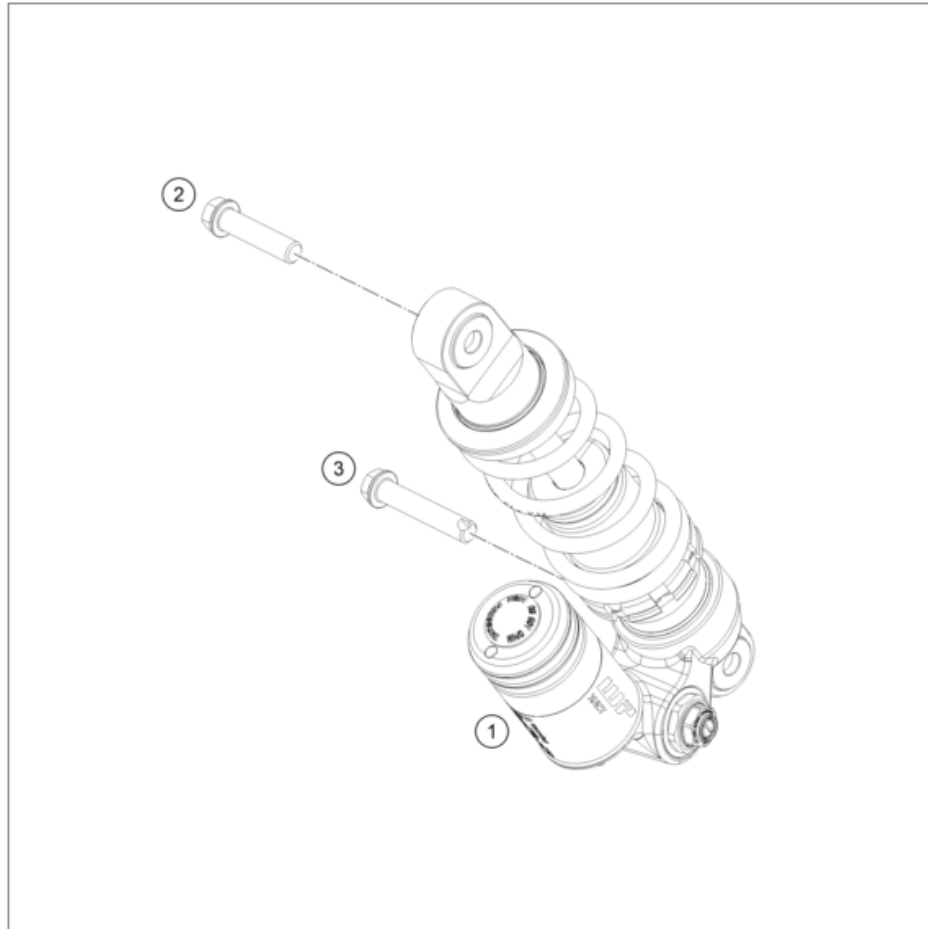
POS	PARTNUMBER		PIECE
1	A40003001000FB	Frame	1
2	01665080856	Hex screw EN 1665-M8x85-10.9	2
3	51010086100	self-locking nut M8 Cu	2
4	45303053000	Chain slider bottom	1
5	0025080356	HH collar screw M8x35 TX40	1
6	A40003002020	Subframe right	1
7	A40003002010	Subframe left	1
8	77307040041	Isolation pad	2
9	47106003160	quick release rubber grommet	2
10	0035080206S	SHCS M8x20 TX45	4
11	0025060256	HH collar screw M6x25 TX30	2
16	A40003037033	Footpeg set	1
17	A40003041000	Footpeg right	1
18	A40003040000	Footpeg left	1
19	0094032253	PIN DIN0094-3,2X25 STEEL	2
20	0125100003	washer DIN 125 A 10.5	2
21	A46003045000	Footrest spring right	2
22	54803044000	PIN FOR FOOT PED 51.5X9.8 MM	2
23	A40003094000FB	Frame protector set	1
24	44011076200	CABLE TIE 200/3,6MM BLACK	3
25	0014050123	HH COLLAR SCREW M 5X12 WS=6	2
26	54803092060	BUSH F. FRAME PROTECTION 03	2

24A4000310

68884

* NEW PART

X ON DEMAND



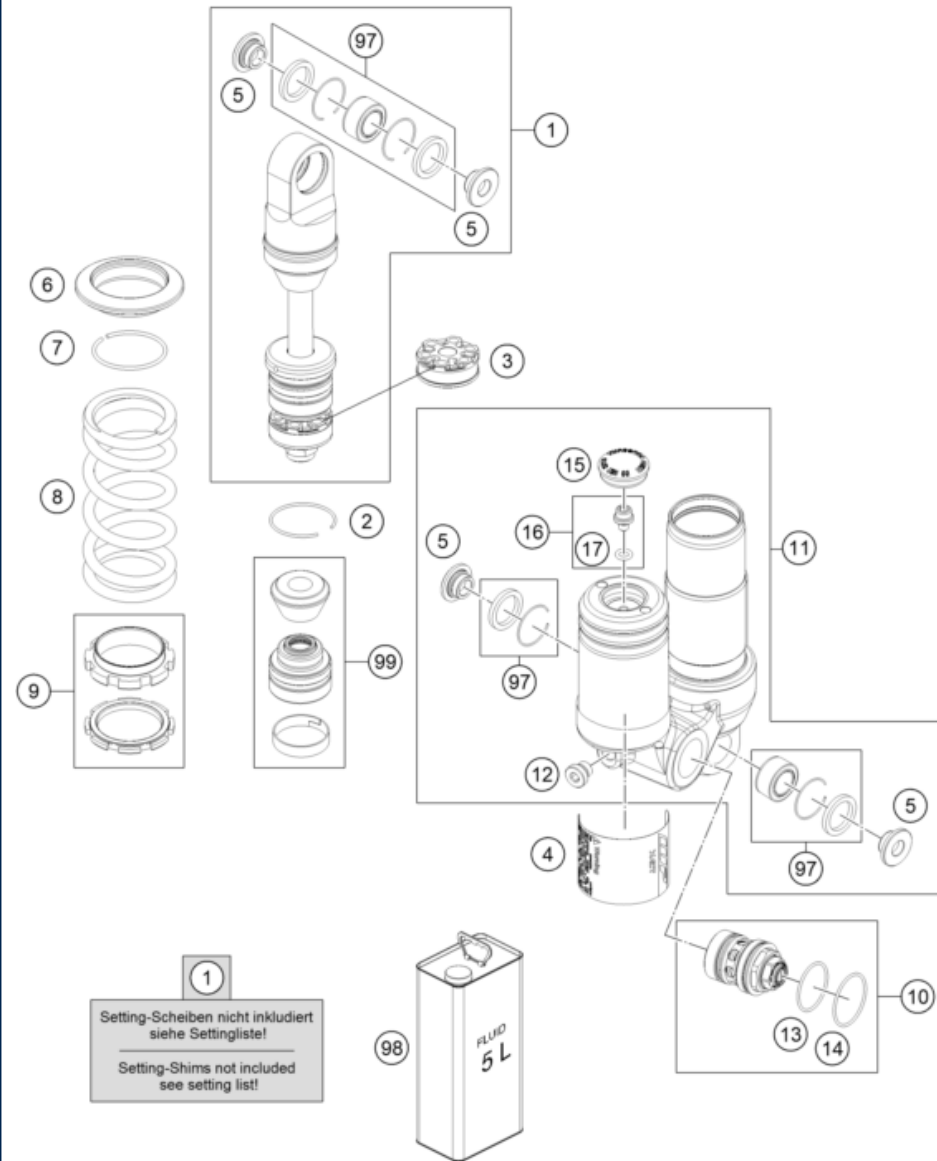
POS	PARTNUMBER		PIECE
1	A400C402X113000	Monoshock 50 SX/TC/MC / E5/EE5/MCE5 2024	1
2	69004089000	HH COLLAR SCREW M10X42 WS13 08	1
3	77204089000	HH COLLAR SCREW M10X52 SW13	1

24A4000410

62356

* NEW PART

X ON DEMAND



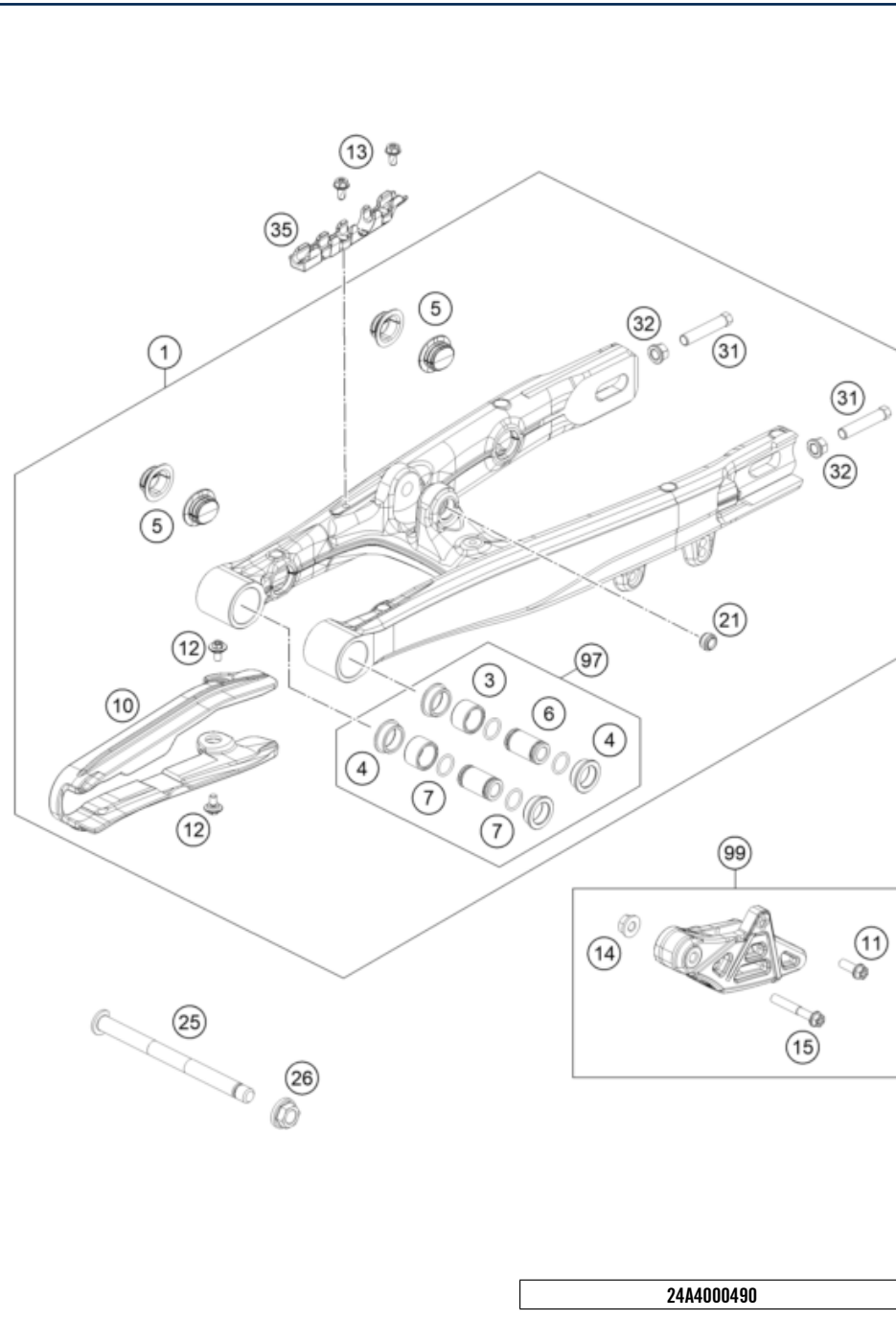
POS	PARTNUMBER		PIECE
1	S421400000S0101	bottom part cpl.	1
2	40540015	Round-wire snap ring 38x1,5	1
3	36120071	Piston 10,5x35,6x13,65 3,5/5,5	1
4	52000263	sticker XACT 90x40	1
5	46180009	Distance bush 10x15/18/24,5x9,5	4
6	S82900001300001	Spring retainer 41,15x61,7x12.3	1
7	S23900000300000	round wire circlip 42.6x2	1
8	93010227	Spring (47) 25-130,0 shock white	x
8	93010218S	SHOCK SPRING 30N/MM - 130MM WH	1
8	93010217S	SHOCK SPRING 35N/MM - 130MM WH	x
8	93010219S	SHOCK SPRING 40N/MM - 130MM WH	x
9	36120418S	ADJUSTING NUT CPL.	1
10	50181101S59	compression cpl.	1
11	36120858S2	Top part cpl.	1
12	50180095	HS cylinder-head screw R1/8 I8	1
13	50180218	O-ring 25x1,5 Viton70	1
14	50180217	O-ring 27x1,5 Viton70 green ISO 3601-3S	1
15	46811208	Rubber cap do not open 22x5,5 NBR	1
16	36120151ST	PLUG SCREW M5X6 CPL.	1
17	S208600003000FB	O-ring 5,28x1,78 HNBR70 red	1
97	R12012T	Ball joint bearing kit top 12mm	2
98	50180751S1	SHOCK ABSORBER FLUID 5 LT	1
99	RP10056T	Repair kit shock absorber 50 SX/TC/MC	1

24A4000430

62357

* NEW PART

X ON DEMAND



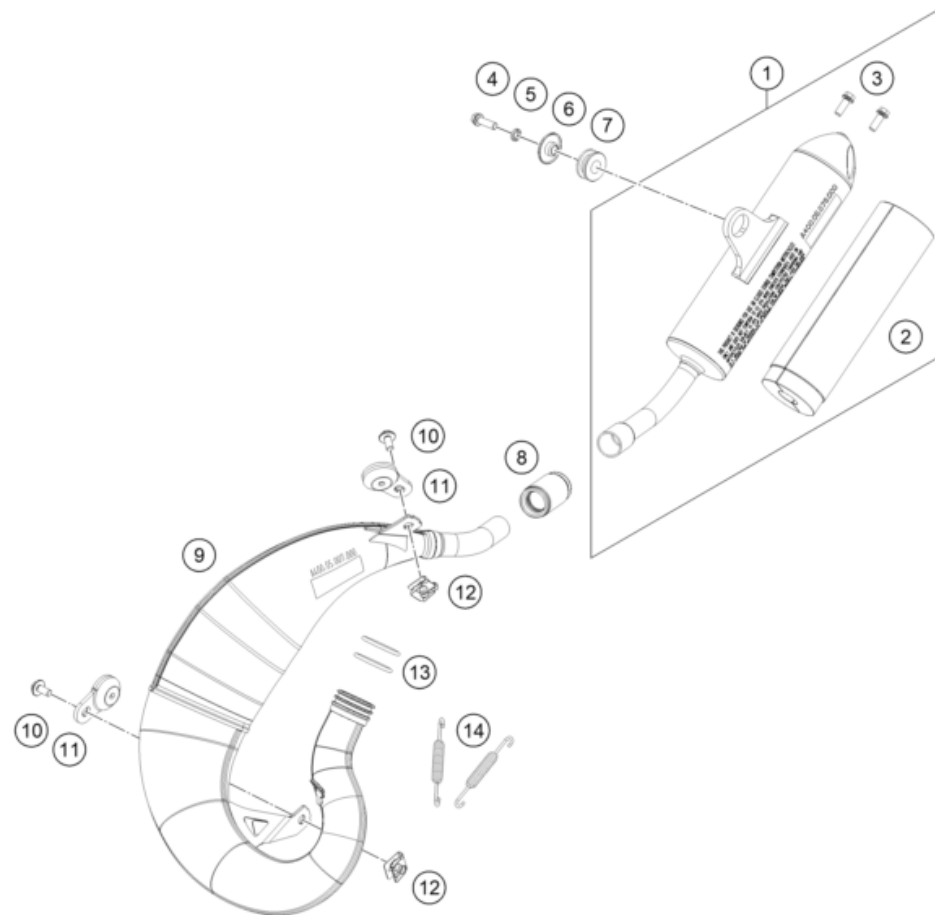
POS	PARTNUMBER		PIECE
1	45404030044	Schwing arm cpl	1
3	54603097000	NEEDLE BUSH HK 2016	2
4	46004030070	SPACER BUSHING 20X26X30X9,7	4
5	45404041000	Locking cap, swingarm	4
6	46004030071	BUSHING BOX 12X20X36,5	2
7	0770160021	O-RING 16,00X2,00 VITON	4
10	45404066000	Chain sliding protection	1
11	0025060166	HH collar screw M6x16 TX30	1
12	83008000012	special screw M6x12x3	2
13	0009050106	EJOT SPIRAL SCREW SF M5X10-K	2
14	56509064100	SELF LOCKING NUT M6 10.9	1
15	0025060406	HH collar screw M6x40 TX30	1
21	69004095000	ADAPTOR NUT M10	1
25	A40004037000	Swingarm pivot	1
26	49030021100	Collar nut, M12x1, right	1
31	50203030090	HH SCREW M8X40 WS=10	2
32	46030045000	flanged nut M8 WS10	2
35	A40013047000	Brake line guide	1
97	45204230010	SWINGARM REP. KIT 50/65 SX	1
99	46307066010	CHAIN GUIDE KIT REAR 2016	1

24A4000490

68791

* NEW PART

X ON DEMAND



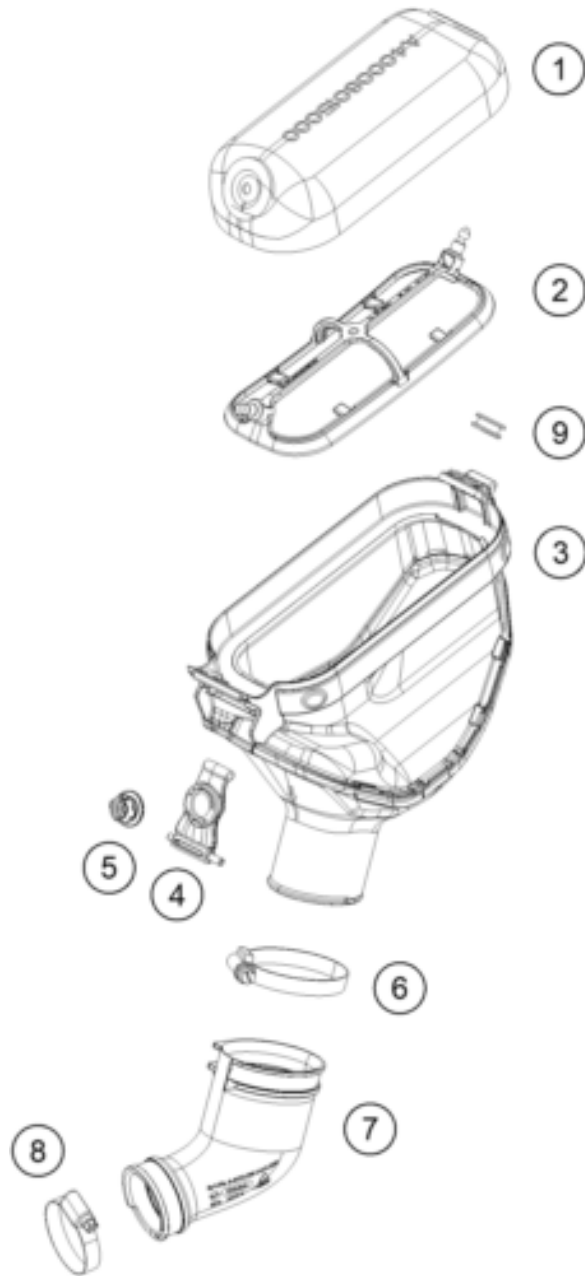
POS	PARTNUMBER		PIECE
1	A40005079000	silencer 50 SX/TC	1
2	46305079185	Damping material	1
3	0025060166	HH collar screw M6x16 TX30	2
4	0025060206	HH collar screw M6x20 TX30	1
5	50233041000	PAIR OF WASHERS M 6 NORDLOCK	1
6	46205169000	BUSHING 7.5X12X28X7.6	1
7	77205068000	DAMP. COMPON. BLACK	1
8	A40005057000	Exhaust sleeve	1
9	A40005007000	Header 50SX	1
10	0024060156	HH collar screw M6x15 TX30	2
11	50305012000	SWINGELEMENT FOR EXHAUST PIPE	2
12	0910000607500	Range change metal nut.M6 SS	2
13	0770300030	O-RING 30X3 VITON	2
14	A46005016000	Tension spring L=65mm	2

24A4000510

68813

* NEW PART

X ON DEMAND



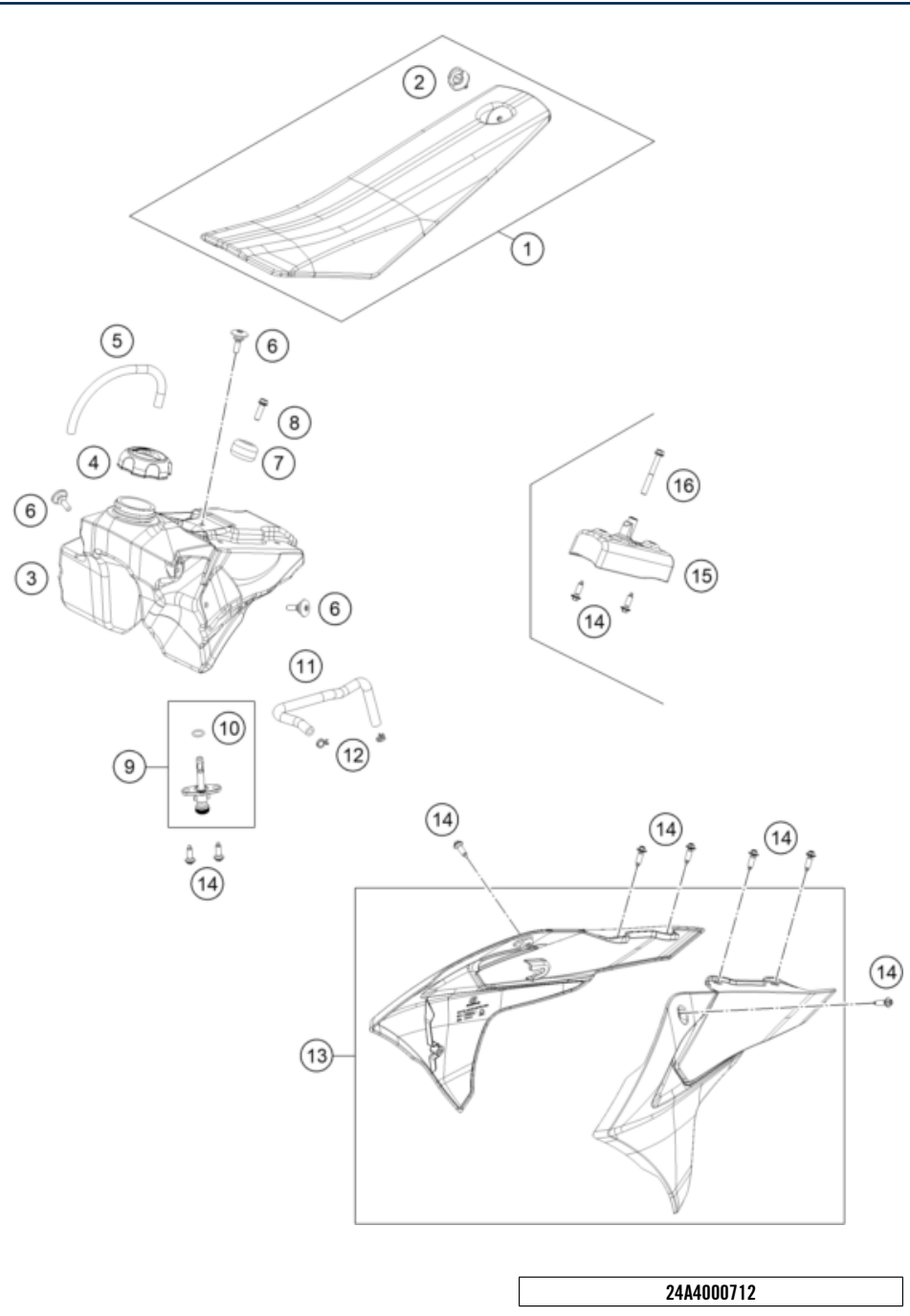
POS	PARTNUMBER		PIECE
1	A40006015000	Air filter	1
2	A40006016000	Air filter support	1
3	A40006001000	Air filter box	1
4	A46006017000	Air filter holding bracket	1
5	47106003160	quick release rubber grommet	1
6	51006027000	HOSE CLAMP 50-70MM	1
7	A40006040000	Intake snorkel	1
8	10001120000	CLAMP 25-40 SGT 4	1
9	76008052050	RUBBER SLEEVE 5X7.6X13MM	1

24A4000610

68804

* NEW PART

X ON DEMAND



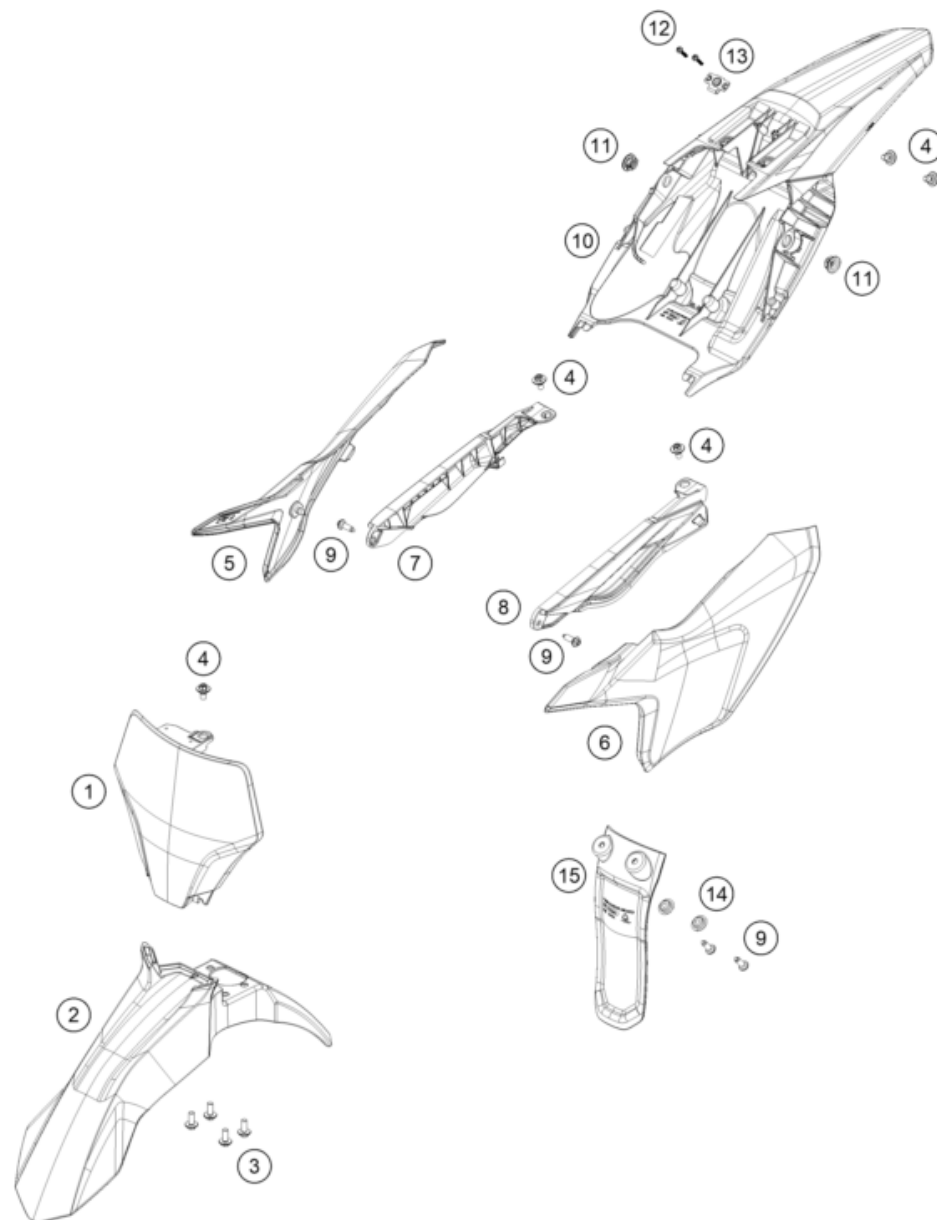
24A4000712

POS	PARTNUMBER		PIECE
1	A40007040000FB	Seat	1
2	45007040051	QUICK RELEASE CPL. 50 SXR '97	1
3	A40007013000	Fuel tank	1
4	49007008044	FILLER CAP CPL. SMALL	1
5	78007100270	Vent hose 5.6 x 10 x 270	1
6	79107011000	Seat holder screw	3
7	A46007014000	Fuel tank role	1
8	0025060206	HH collar screw M6x20 TX30	1
9	58507003200	FUEL COCK CPL.	1
10	0770020130	O-RING 1,78x10,82x14,38 2-013	1
11	58307016001	FUEL HOSE VITON 6X1,5 PER/M	x
12	45031005000	YDNAC-CLAMP FUEL HOSE (8MM)	2
13	A40008154000FBA	spoiler kit MC 50 2024 with decal	1
14	0017060205	SCREW FOR PLASTIC K60X20 SW6	10
15	A40007013050	Tank adapter	1
16	0025060506	HH collar screw M6x50 TX30	1

68889

* NEW PART

X ON DEMAND



POS	PARTNUMBER		PIECE
1	A40008107000FB	Number plate	1
2	A40008110000FBA	Front fender with decal	1
3	0024060136	HH collar screw M6x13 TX30	4
4	83008000012	special screw M6x12x3	5
5	A40006004000FB	Air filter box cover right	1
6	A40006003000FB	Air filter box cover left	1
7	A40006031000FB	Subframe cover right	1
8	A40006030000FB	Subframe cover left	1
9	0017060205	SCREW FOR PLASTIC K60X20 SW6	4
10	A40008013000FB	Rear fender	1
11	47106003160	quick release rubber grommet	2
12	0081035163	EJOT Delta PT screw 35x16	2
13	45007040050	QUICK RELEASE LATCHPLATE	1
14	46104066050	BUSH FOR CHAINSLIDER GUARD 02	2
15	A40006010000	Splash protection	1

24A4000812

68885

* NEW PART

X ON DEMAND

POS	PARTNUMBER		PIECE
1	A40008192000	Displacement sticker set MC50 2024	1

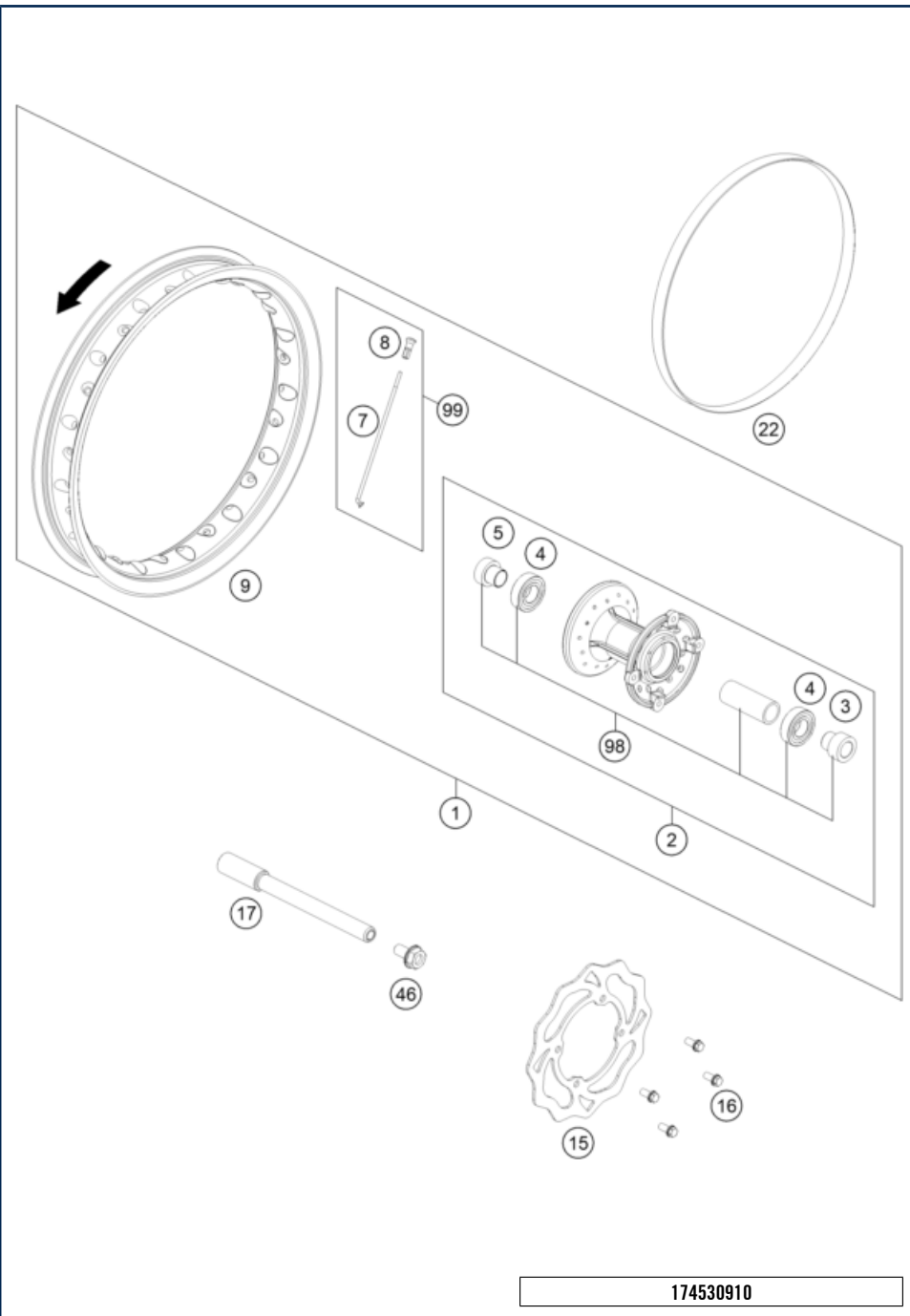


24A4000833

68894

* NEW PART

X ON DEMAND



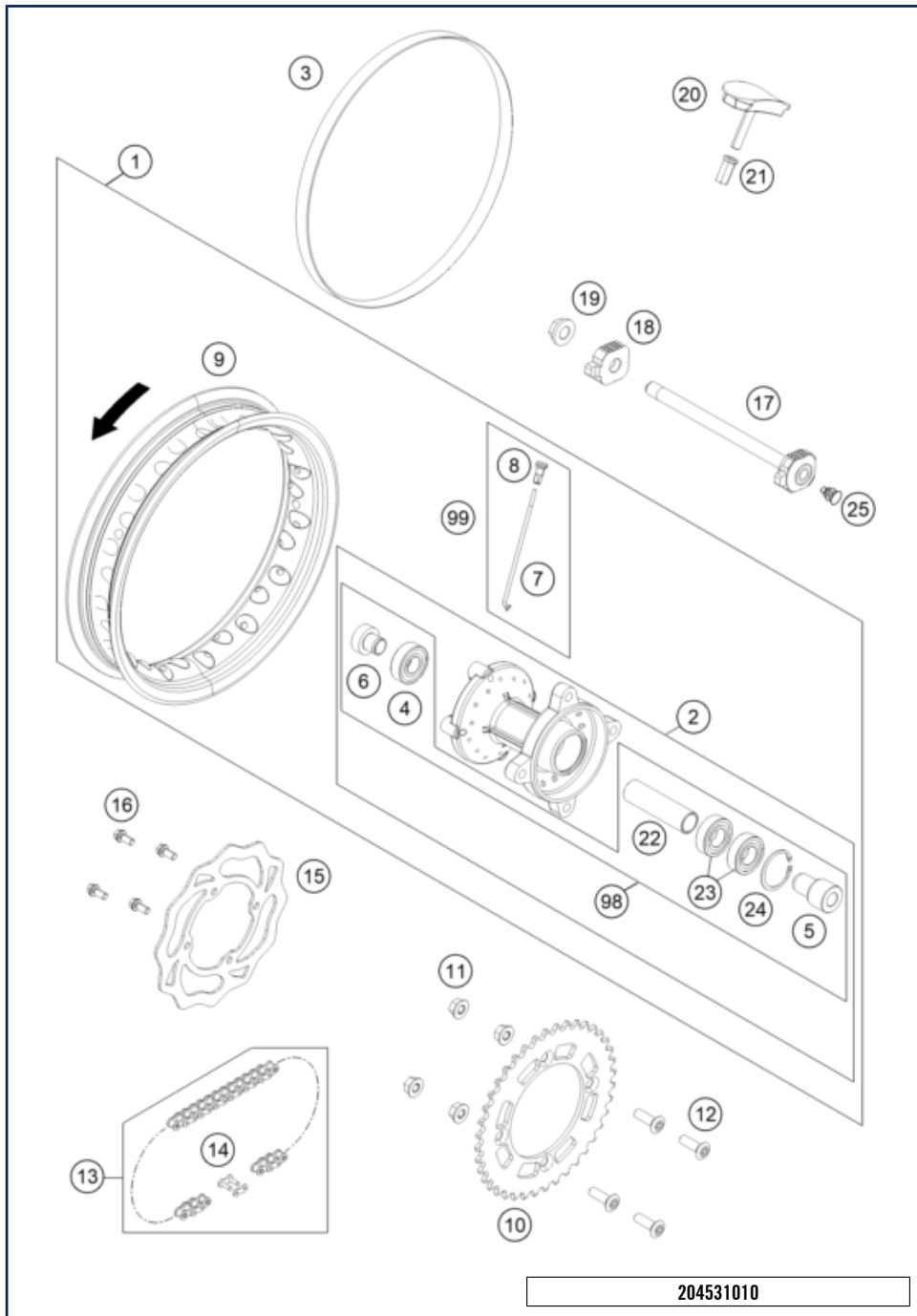
POS	PARTNUMBER		PIECE
1	45309001044	"Front wheel 12x1,5"" cpl."	1
2	45209010044	FRONT WHEEL HUB CPL.	1
3	45209012000	SPACER BUSHING LEFT	1
4	0625060037	GR.BALL BEAR. 6003-2RSH/C3HMTF	2
5	45209013000	SPACER BUSHING RIGHT	1
7	45209071126	SPOKE 3X126C.110°C.5 Zinc 2012	28
8	46210072000	SPOKE NIPPLE ALU	28
9	4520907040033	"Front rim 1,5x12""	1
15	45209060000	BRAKE DISC FRONT JUN/SEN 09	1
16	59009062013	SPECIAL SCREW M6X13 WS=8 10.9	4
17	45209081000	AXLE FRONT	1
22	45109073100	RIM BAND 12"	1
46	49032011000	HH COLLAR SCREW M10X20 WS=17	1
98	45209015000	FRONT WHEEL REP. KIT 50 SX	x
99	00050000964	SPOKE KIT FRONT 12"	x

174530910

50142

* NEW PART

X ON DEMAND



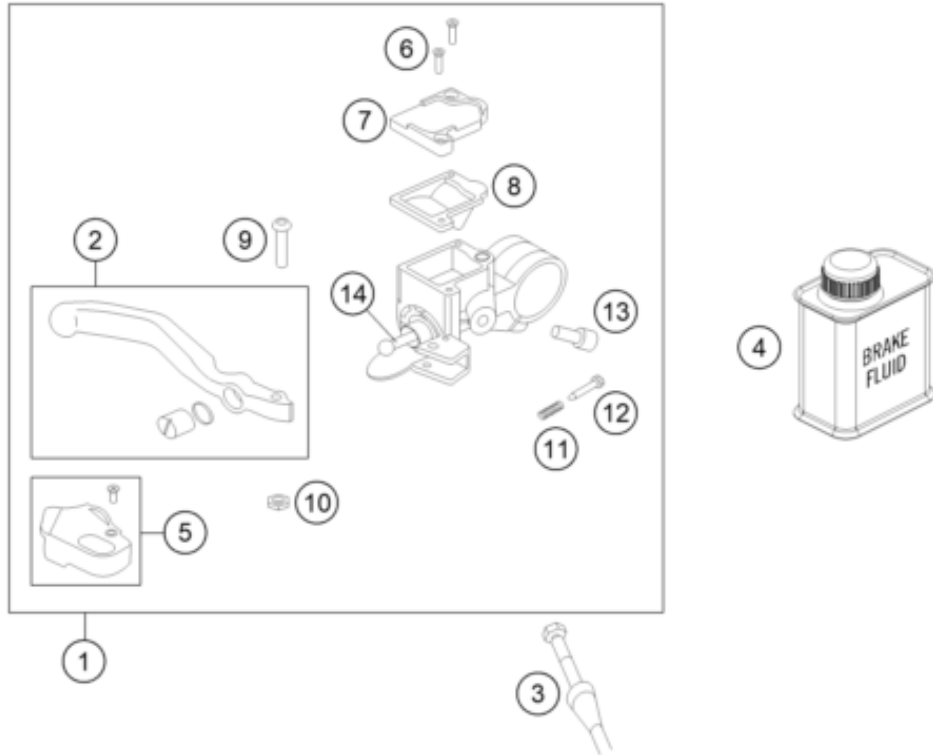
POS	PARTNUMBER		PIECE
1	45310001044	Rearwheel cpl. 50SX-Mini 2018	1
2	45210010144	REAR WHEEL HUB CPL. 50SX 2015	1
3	45009073000	RIM BAND 10" 22MM	1
4	0625062028	BALL BEARING 6202-2RSH/C3	1
5	45210013100	SPACER BUSHING LEFT 2015	1
6	45210014000	SPACER BUSHING REAR R/S	1
7	45210071101	SPOKE 3X101 C.113°	28
8	46210072000	SPOKE NIPPLE ALU	28
9	4521007020033	"Rear rim 1,6x10""	1
10	45210151038	SPROCKET 38-T 50SX '13	x
10	45210151039	SPROCKET 39-T 50SX '13	x
10	45210151040	SPROCKET 40-T 50SX '13	x
10	45210151041	SPROCKET 41-T 50SX '13	x
10	45210151042	SPROCKET 42-T 50SX '13	1
11	54310086200	SELF LOCKING NUT M8 10.9	4
12	0019080266S	COUNTER-SUNK SCREW ISA45 M8X26	4
13	45110265104	RACING CHAIN 1/2X3/16" 50 SX	1
14	45110266000	CONNECTING LINK 1/2X3/16" 90RS	1
15	45209060000	BRAKE DISC FRONT JUN/SEN 09	1
16	59009062016	SPECIAL SCREW M6X16 WS=8 10.9	4
17	45410085044	Rear wheel spindle cpl.	1
18	45410084000	Chain tension adjuster right	1
19	49030021100	Collar nut, M12x1, right	1
20	45110090000	RIM LOCK CPL. 2004	1
21	77110090050	NUT FOR WHEEL HOLDER	1
22	45210011100	BEARING DISTANCE TUBE 2015	1
23	0625060037	GR.BALL BEAR. 6003-2RSH/C3HMTF	2
24	0472035150	CIRCLIP DIN0472-35X1,5	1
25	50210086000	COVERING CAP SFL16	1
98	45210015100	REAR WHEEL REP. KIT 50 SX 15	x
99	00050000969	SPOKE KIT REAR 10"	1

204531010

54316

* NEW PART

X ON DEMAND



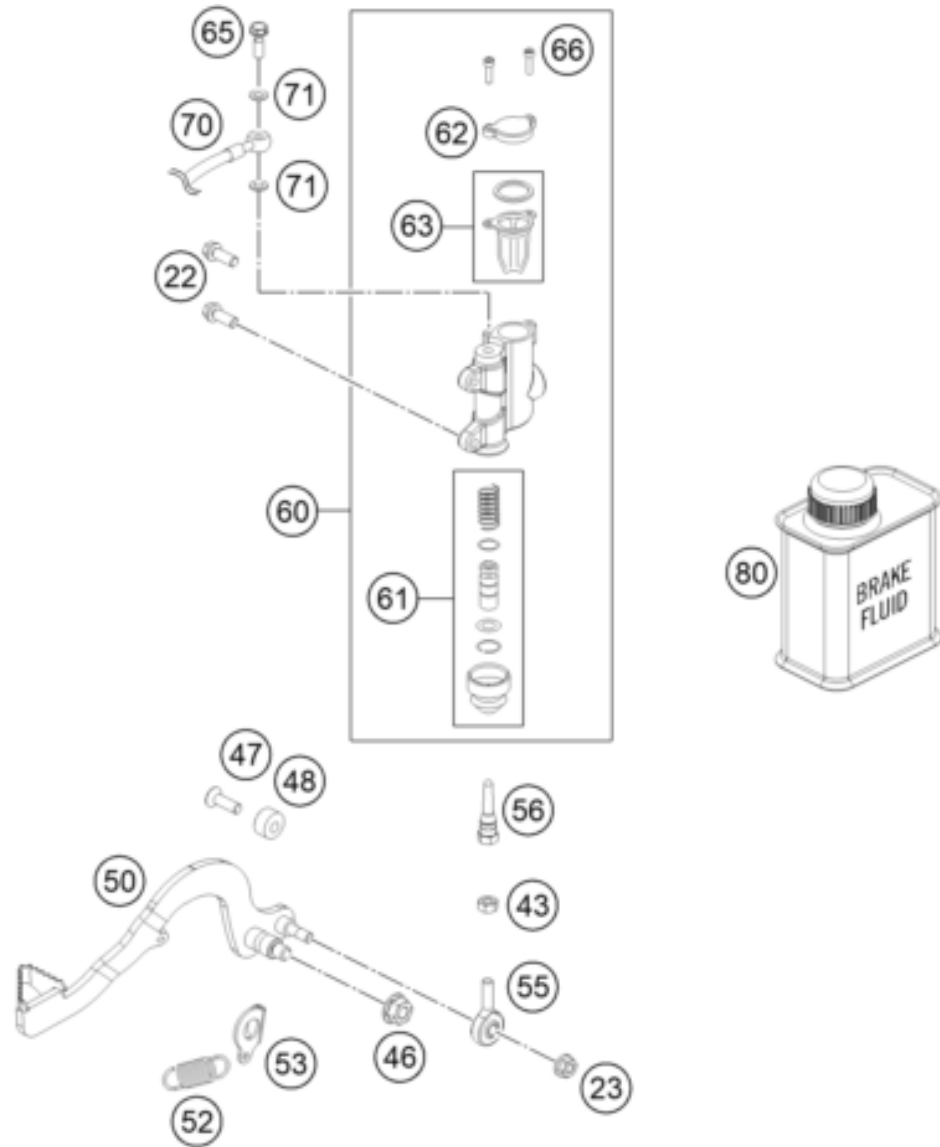
POS	PARTNUMBER		PIECE
1	45113101044	HAND BRAKE CYLIND.CPL.50 LC 02	1
2	45113002000	HANDBRAKE LEVER CPL. R/S 02	1
3	45213012100	BRAKE HOSE FR. 50SX	1
4	00062030000	BRAKE FLUID DOT5.1 0,25L	1
5	45113004000	PROT.CAP HAND BRAKE CYL. 50 LC	1
6	0966030083	OVAL HEAD SCREW DIN0966-M 3X8	2
7	45113003000	HAND BRAKE CYLINDER COVER 04	1
8	45113009000	GASKET HAND BRAKE CYLINDER 04	1
9	45113006000	SPECIAL-AH SCREW M 5X18	1
10	45113013000	NUT M5 DIN 6334	1
11	45113021000	SPRING FOR HAND BRAKE LEVER 04	1
12	45113007000	ADJUSTING SCREW M 3X16 04	1
13	0912050103	AH SCREW DIN0912-M 5X10	1
14	45113008000	REP.KIT PISTON FRONT 50 04	1

124521310

11199

* NEW PART

X ON DEMAND



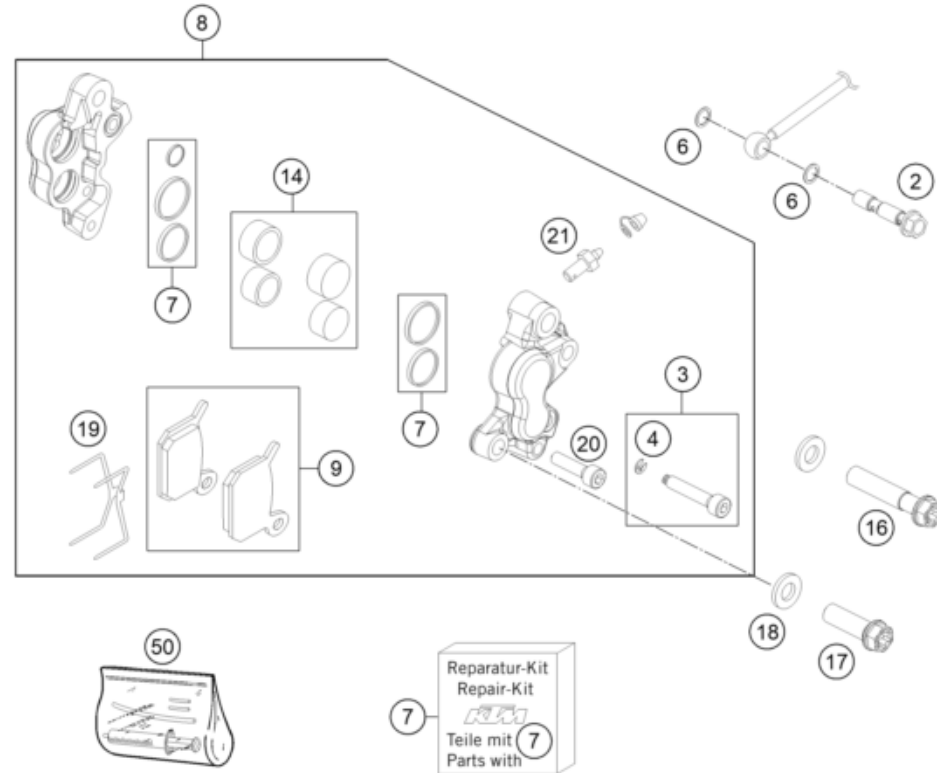
POS	PARTNUMBER		PIECE
22	59009062019	SPECIAL SCREW M6X19 WS=8 10.9	2
23	56509064100	SELF LOCKING NUT M6 10.9	3
43	0934060003	hex nut DIN 934 M6	1
46	54310086200	SELF LOCKING NUT M8 10.9	1
47	0991060202	FLAT HEAD DIN7991-M 6X20	1
48	45203063000	BRAKE LEVER STOP	1
50	45213050000	FOOT BRAKE LEVER	1
52	54603062100	RETURN SPRING FOR BRAKE LEVER	1
53	45213053000	LOCK WASHER 50 SX	1
55	46213055000	SWIVEL HEAD KA6 INNOX	1
56	46213056000	PUSH ROD	1
60	46113060000	REAR BRAKE CYL. 50+65 04	1
61	47013061000	REP. SET PISTON REAR D=11 2003	1
62	47013062000	CYLINDER COVER REAR 85 SX 03	1
63	47013063000	GASKET CYLINDER COVER REAR 03	1
65	46113325000	HOLLOW SCREW M6	1
66	0912040103	AH.SCREW DIN0912-M 4X10	2
70	45113170000	BRAKE HOSE REAR 50 LC 04	1
71	0770060019	O-RING 6,00X1,00 FORMULA	2
80	00062030000	BRAKE FLUID DOT5.1 0,25L	1

124521330

52253

* NEW PART

X ON DEMAND



POS	PARTNUMBER		PIECE
2	45113025000	HOLLOW SCREW M6X34 50 LC 2002	1
3	45113125000	AH SCREW+CIRCLIP LC 50 02	1
4	0799025000	TAB WASHER DIN6799 RS2,5	1
6	0770060019	O-RING 6,00X1,00 FORMULA	2
7	45113019000	REP.KIT SEAL RING 50LC 2002	1
8	45113015000	BRAKE CALIPER CPL.FR. 50 LC 02	1
9	45113030000	BRAKE PAD SET 50 LC 2002	1
14	45113019050	REPAIR KIT BRAKEPISTON	1
16	0025080606	HH COLLAR SCREW M8x60 TX40	1
17	0025080406	HH COLLAR SCREW M8X40 TX40	1
18	0125080003	washer DIN 125 A -8.4	2
19	45113018000	RETAINING SPRING 50 LC	1
20	0912050203	AH SCREW DIN0912-M 5X20	1
21	45113020000	BREATHER SCREW 50 2002	1
50	45119050000	BLEEDER INJECTION-SET 50-65	x

124521360

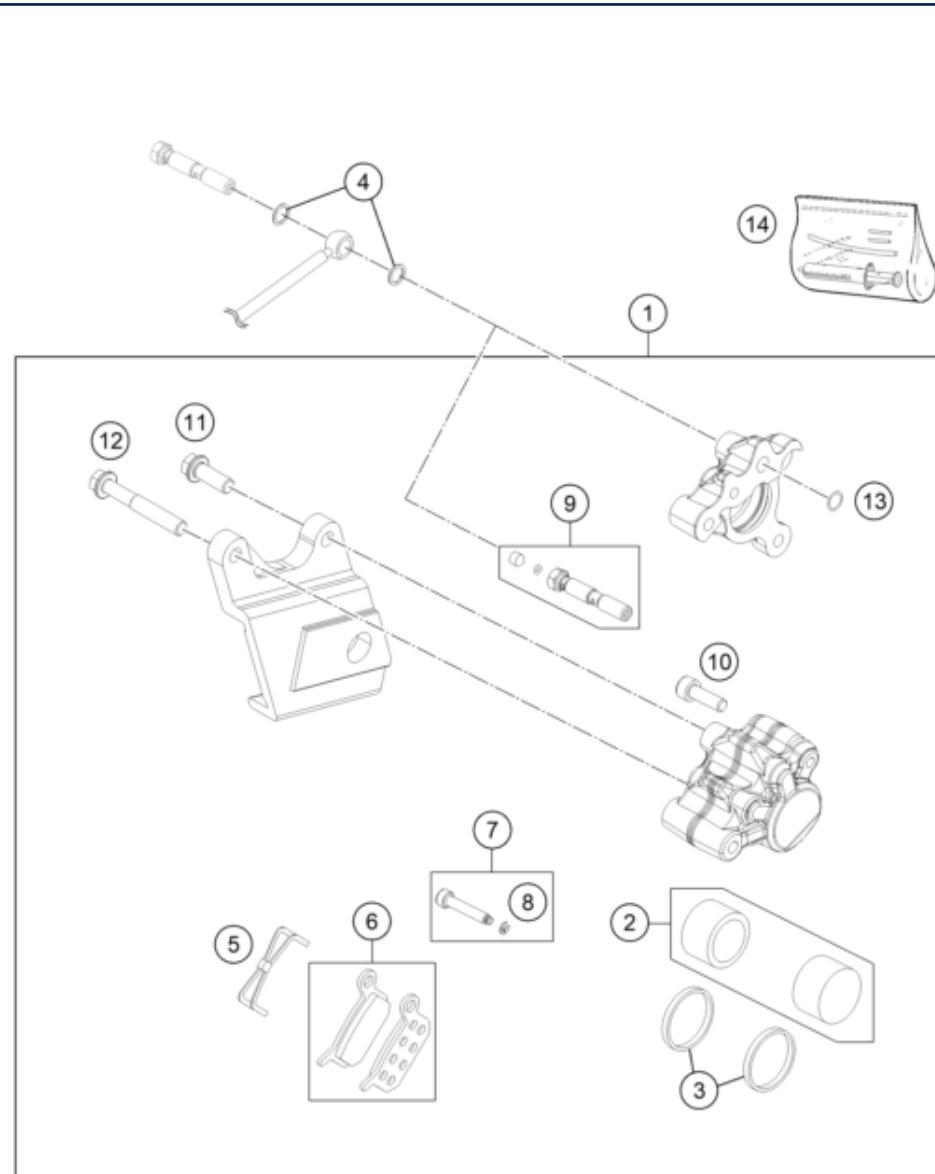
11206

* NEW PART

X ON DEMAND

REAR BRAKE CALIPER

MC 50 2024 2024



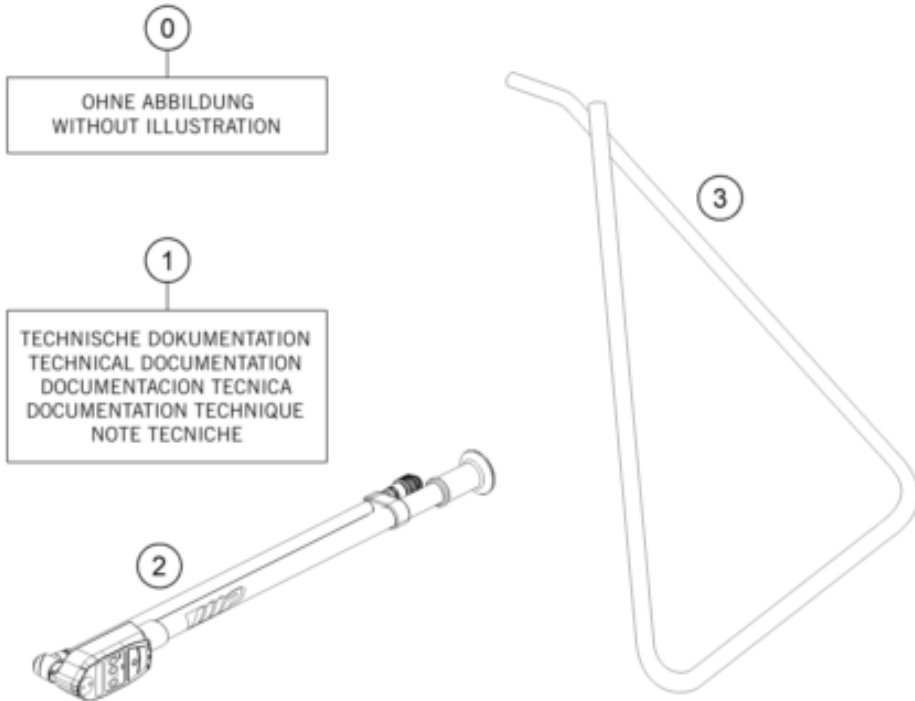
POS	PARTNUMBER		PIECE
1	45213080000	BRAKE CALIPER REAR	1
2	45113019100	REPAIR KIT BRAKEPISTON	1
3	0770022020	O-RING 22X2X2 EPDM	2
4	0770060019	O-RING 6,00X1,00 FORMULA	2
5	45113018000	RETAINING SPRING 50 LC	1
6	45113030000	BRAKE PAD SET 50 LC 2002	1
7	45113225000	AH SCREW + CIRCLIP 50/65 04	1
8	0799025000	TAB WASHER DIN6799 RS2,5	1
9	46113225000	HOLLOW SCREW CPL.	1
10	0912050163	AH SCREW DIN0912-M 5X16	1
11	0025060166	HH collar screw M6x16 TX30	1
12	0025060406	HH collar screw M6x40 TX30	1
13	0770080019	O-RING 8,00X1,00 FORMULA	1
14	45119050000	BLEEDER INJECTION-SET 50-65	x

144521390

14243

* NEW PART

X ON DEMAND



POS	PARTNUMBER		PIECE
0	00063004202	PRINT LABEL 60X51 MM	1
0	A54012920000	Hourmeter	1
0	00063004204	Self-ad. stkr. 100X200 mm, perf., art. 3	2
0	00063004306	PLUG PACK	1
0	0017060205	SCREW FOR PLASTIC K60X20 SW6	2
0	0025060506	HH collar screw M6x50 TX30	1
0	0081035183	Ejot delta PT screw 35X18	2
0	52000223SET	Sticker set XACT AER 140x141	1
0	15131123085	MAIN JET 85 DELLORTO	1
0	15131123090	MAIN JET 90 DELLORTO	1
0	15131123092	MAIN JET 92 DELLORTO	1
0	57013072100	WIRING HOLDER 16MM	1
0	A40003094000EB	Frame protection set	1
0	A40003037033	Footpeg set	1
0	45402102044	Handlebar pad compl.	1
0	A40007013050	Tank adapter	1
0	A40039093010	Spark plug	1
0	45229073000	SPARK PLUG WRENCH	1
0	44011076140	CABLE TIE 140/2,5MM BLACK	2
0	A40008192000	Displacement sticker set MC50 2024	1
0	00063004012	HEADLIGHT MASK BOX	1
1	3215154EN	Owner's manual MC 50 '24	1
2	79412966100	Fork pump	1
3	45103023300	PLUG-IN STAND 50 SEN LC 03	1

204532001

68893

* NEW PART

X ON DEMAND



5 Ø 5 mm

6 Ø 6 mm

8 Ø 8 mm

10 Ø 10 mm

12 Ø 12 mm

14 Ø 14-14,5 mm

16 Ø 16 mm

20 Ø 20 mm

21 Ø 21 mm

22 Ø 22 mm

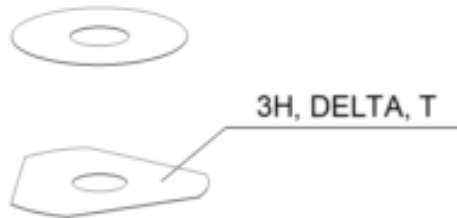
23 Ø 23 mm

24 Ø 24,5 mm

28 Ø 28,25-28,5 mm

32 Ø 32 mm

52 Ø 52 mm



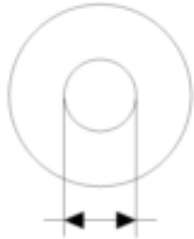
POS	PARTNUMBER		PIECE
1	48600611	Spring (10,2) l5 check valve	X
5	44906890	WASHER 5X15X2	X
6	40540400	Shim 6x12x0,10	X
6	40540401	Shim 6x14x0,10	X
6	40540402	Shim 6x16x0,10	X
6	40540403	Shim 6x18x0,10	X
6	40540404	Shim 6x12x0,15	X
6	40540405	Shim 6x14x0,15	X
6	40540406	Shim 6x16x0,15	X
6	40540407	SHIM 6X18X0,15	X
6	40540408	Shim 6x12x0,20	X
6	40540409	Shim 6x14x0,20	X
6	40540410	Shim 6x16x0,20	X
6	40540411	Shim 6x18x0,20	X
6	48600095	SHIM 6X20X0,20	X
6	40540412	Shim 6x12x0,25	X
6	40540413	Shim 6x14x0,25	X
6	40540414	Shim 6x16x0,25	X
6	40540415	Shim 6x18x0,25	X
6	40540417	SHIM 6X8,5X0,10	X
6	40540418	SHIM 6X9X0,10	X
6	40540419	SHIM 6X9,5X0,10	X
6	40540423	SHIM 6X9,5X0,15	X
6	40540425	SHIM 6X8,5X0,20	X
6	40540426	SHIM 6X9X0,20	X
6	40540427	SHIM 6X9,5X0,20	X
6	40540447	Shim 6x10x0,30	X
6	40540449	Shim 6x9x0,30	X
6	40540450	Shim 6x9,5x0,30	X
6	40540494	Shim 6x18x0,40	X
6	40540774	Shim 6x18x0,10 delta	X
6	40541383	Shim 6X11X0,10	X
6	40541391	Shim 6x11x0,30	X
6	40541402	Shim 6x11x0,20	X
6	40541403	SHIM 6X10X0,20	X
6	40541404	Shim 6x10x0,10	X
6	40541405	Shim 6x10x0,15	X
6	40541406	SHIM 6X11X0,15	X

080000190

4668

* NEW PART

X ON DEMAND



5 Ø 5 mm

6 Ø 6 mm

8 Ø 8 mm

10 Ø 10 mm

12 Ø 12 mm

14 Ø 14-14,5 mm

16 Ø 16 mm

20 Ø 20 mm

21 Ø 21 mm

22 Ø 22 mm

23 Ø 23 mm

24 Ø 24,5 mm

28 Ø 28,25-28,5 mm

32 Ø 32 mm

52 Ø 52 mm



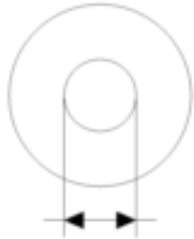
POS	PARTNUMBER		PIECE
6	40541408	SHIM 6X8,0X0,30	X
6	40541414	Shim 6x8x0,1	X
6	40541416	SHIM 6X8X0,3	X
6	40541417	SHIM 6X11X0,25	X
6	48600102	SHIM 6X24X0,25	X
6	48600063	Shim 6x24x0,10	X
6	48600064	Shim 6x22x0,10	X
6	48600065	Shim 6x20x0,10	X
6	48600069	Shim 6x20x0,15	X
6	48600100	Shim 6x24x0,15	X
6	48600116	Shim 6x24x0,10 delta	X
6	48600139	Shim 6x22x0,1 delta	X
6	48600217	Shim 6x10x0,25	X
6	48600325	Shim 6x13x0,10	X
6	48600327	SHIM 6X15X0,1	X
6	48600329	Shim 6x17x0,10	X
6	48600331	Shim 6x19x0,10	X
6	48600096	Shim 6x20x0,25	X
6	48600097	Shim 6x22x0,15	X
6	48600099	Shim 6x22x0,25	X
6	40540448	Shim 6x8,5x0,30	X
6	48600479	Shim 6x20x0,10 DELTA	X
6	48600332	SHIM 6X21X0,1	X
6	48600333	SHIM 6X23X0,1	X
6	40541393	Shim 6x12x0,30	X
6	48600330	SHIM 6X17X0,15	X
6	48600988	Shim 6x28x0,10	X
6	48600989	Shim 6x26x0,10	X
6	48601091	Shim 6x28x0,15	X
6	48601093	Shim 6x26x0,15	X
6	48600328	Shim 6x15x0,15	X
6	48600326	Shim 6x13x0,15	X
6	48601548	Shim 6x17x1,5	X
6	48601693	Washer 6x18x3	X
6	48600098	Shim 6x22x0,20	X
6	48601300	Washer 6x25x1,5	X
6	48601692	Shim 6x30x0,15	X
6	48601550	Shim 6x30x0,10	X

080000190

4668

* NEW PART

X ON DEMAND



- 5 Ø 5 mm
- 6 Ø 6 mm
- 8 Ø 8 mm
- 10 Ø 10 mm
- 12 Ø 12 mm
- 14 Ø 14-14,5 mm
- 16 Ø 16 mm
- 20 Ø 20 mm
- 21 Ø 21 mm
- 22 Ø 22 mm
- 23 Ø 23 mm
- 24 Ø 24,5 mm
- 28 Ø 28,25-28,5 mm
- 32 Ø 32 mm
- 52 Ø 52 mm



POS	PARTNUMBER		PIECE
6	40541392	Shim 6x8x0,2	X
6	48601917	Washer 6x25x4	X
6	48601916	Washer 6x18x4	X
6	40540399	Shim 6x16x0,30	X
6	48601584	Shim 6x30x0,4 spring shim	X
6	48601459	Washer check valve 6x31x0,4	X
6	48601849	Check valve plate 2,5mm hub	X
6	48600101	SHIM 6X24X0,20	X
6	48601094	Shim 6x26x0,20	X
6	40540422	Shim 6X9X0,15	X
6	48601841	Washer check valve 6x31x0,4	X
6	48601850	Shim 6x30x0,4 spring shim	X
6	48601092	Shim 6x28x0,20	X
6	48601264	Shim 6x25x0,10	X
6	48600967	Shim 6x20x0,2 DELTA	X
6	48601847	Washer 6x25x1,5	X
6	48601707	Sinus shim plate 6X30	X
6	S64060000400000	Shim 6x14x0.3	X
6	S64060000500000	Shim 6x13x0.25	X
6	S64060000600000	Shim 6x17x0,2	X
6	40540421	Shim 6x8.5x0.15	X
6	48601262	Washer 6x18x1,5	X
6	S64060001500000	Shim 6x8x0.15	X
8	40540477	Shim 8x18x0,40	X
8	43570120	Shim 8x18x0,10	X
8	44916098	WASHER 8,4X16X0,8	X
8	44916130	WASHER 8,2X15X1	X
8	44916180	WASHER 8,2X11X1	X
8	48600214	Shim 8x16x0,10	X
8	48600385	SHIM 8x14x0.25	X
8	48600346	Shim 8x11x0,20	X
8	48600215	Shim 8x20x0,10	X
8	48600485	SHIM 8X10X0,10	X
8	48601402	SHIM 8X13X0,10	X
8	48600350	Shim 8x16x0,15	X
8	48600061	Shim 8x24x0,40	X
8	48600062	CHECK VALVE 8X24X0,1	X
8	48600216	Shim 8x22x0,10	X

080000190

4668

* NEW PART

X ON DEMAND



- 5 Ø 5 mm
- 6 Ø 6 mm
- 8 Ø 8 mm
- 10 Ø 10 mm
- 12 Ø 12 mm
- 14 Ø 14-14,5 mm
- 16 Ø 16 mm
- 20 Ø 20 mm
- 21 Ø 21 mm
- 22 Ø 22 mm
- 23 Ø 23 mm
- 24 Ø 24,5 mm
- 28 Ø 28,25-28,5 mm
- 32 Ø 32 mm
- 52 Ø 52 mm



POS	PARTNUMBER		PIECE
8	48600480	Shim 8x10x0,20	X
8	48600555	SHIM 8X16X0,20	X
8	48600213	SHIM 8X14X0,10	X
8	48600357	Shim 8x11x0,10	X
8	48600351	Shim 8x12x0,10	X
8	48600607	Shim 8x20x0,40	X
8	48601095	Shim 8x17x0,10	X
8	48600352	CHECK VALVE 8X11X0,4	X
8	48601860	Washer 8x11x0,15	X
8	48601266	Shim 8x26x0,40	X
8	46180640	Shim 8x16x0,3	X
8	43578166	Washer 8x20x1	X
8	48601113	Shim 8x15x0,1	X
8	48600218	Shim 8X11X0,40	X
8	48600964	Shim 8x20x0,15	X
8	89080008	Shim 8x30x0,10	X
8	48601859	Shim 8x10x0,15	X
8	48601863	Shim 8x14x0,15	X
8	89080001	Shim 8x18x0,15	X
8	89080002	Shim 8x22x0,15	X
8	89080003	Shim 8x24x0,15	X
8	89080005	Shim 8x26x0,15	X
8	89080007	Shim 8x28x0,15	X
8	89080009	Shim 8x30x0,15	X
8	48600386	Shim 8X12X0,25	X
8	48601862	Shim 8x13x0,15	X
8	89080004	Shim 8x26x0,10	X
8	89080006	Shim 8x28x0,10	X
8	S64080000000000	Shim 8x24x0,2	X
8	48601864	Shim 8x15x0,15	X
8	48600965	SHIM 8X20X0,2	X
8	S64080000300000	Shim 8x18x0,2	X
8	S64080000100000	Shim 8x12x0,2	X
8	S64080000900000	shim 8x14x0,2	X
8	S64080000100000	Shim 8x12x0,2	X
8	S64080000400000	Shim 8x22x0,2	X
8	48600384	Shim 8x22x0,30	X
10	36120284	SHIM 10X16X0,10	X

080000190

4668

* NEW PART

X ON DEMAND



5 Ø 5 mm

6 Ø 6 mm

8 Ø 8 mm

10 Ø 10 mm

12 Ø 12 mm

14 Ø 14-14,5 mm

16 Ø 16 mm

20 Ø 20 mm

21 Ø 21 mm

22 Ø 22 mm

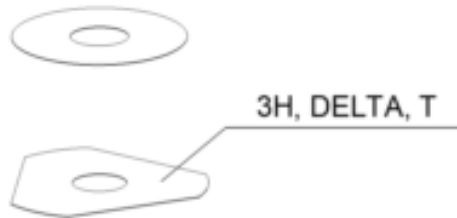
23 Ø 23 mm

24 Ø 24,5 mm

28 Ø 28,25-28,5 mm

32 Ø 32 mm

52 Ø 52 mm



POS	PARTNUMBER		PIECE
10	36120298	SHIM 10X16X0,2	X
10	36120312	SHIM 10X16X0,30	X
10	36120314	SHIM 10X18X0,30	X
10	36120325	SHIM 10X19X0,15	X
10	36120327	SHIM 10X23X0,15	X
10	36120328	SHIM 10X25X0,15	X
10	36120329	SHIM 10X27X0,15	X
10	36120330	SHIM 10X29X0,15	X
10	36120331	SHIM 10X31X0,15	X
10	36120332	SHIM 10X33X0,15	X
10	36120334	SHIM 10X21X0,20	X
10	36120335	SHIM 10X23X0,20	X
10	36120336	SHIM 10X25X0,20	X
10	36120337	SHIM 10X27X0,20	X
10	36120338	SHIM 10X29X0,20	X
10	36120339	SHIM 10X31X0,20	X
10	36120340	SHIM 10X33X0,20	X
10	36120342	SHIM 10X21X0,25	X
10	36120343	SHIM 10X23X0,25	X
10	36120344	SHIM 10X25X0,25	X
10	36120345	SHIM 10X27X0,25	X
10	36120349	SHIM 10X19X0,30	X
10	36120350	SHIM 10X21X0,30	X
10	36120313	SHIM 10X17X0,30	X
10	36120354	SHIM 10X29X0,30	X
10	40140275	WASHER 10X35X0,15	X
10	48601708	Shim 10x30x0,40	X
10	36120346	SHIM 10X29X0,25	X
10	36120355	SHIM 10X31X0,30	X
10	36120348	SHIM 10X33X0,25	X
10	36120311	SHIM 10X15X0,30	X
10	36120292	SHIM 10X17X0,15	X
10	36120326	SHIM 10X21X0,15	X
10	36120286	SHIM 10X18X0,10	X
10	36120347	SHIM 10X31X0,25	X
10	36120333	SHIM 10X19X0,20	X
10	36120351	SHIM 10X23X0,30	X
10	36120352	SHIM 10X25X0,30	X

080000190

4668

* NEW PART

X ON DEMAND



5 Ø 5 mm

6 Ø 6 mm

8 Ø 8 mm

10 Ø 10 mm

12 Ø 12 mm

14 Ø 14-14,5 mm

16 Ø 16 mm

20 Ø 20 mm

21 Ø 21 mm

22 Ø 22 mm

23 Ø 23 mm

24 Ø 24,5 mm

28 Ø 28,25-28,5 mm

32 Ø 32 mm

52 Ø 52 mm



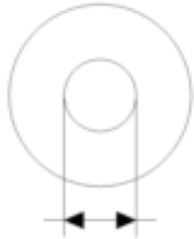
POS	PARTNUMBER		PIECE
10	36120353	SHIM 10X27X0,30	X
10	36120356	SHIM 10X33X0,30	X
10	50180395	Washer 10x16x1	X
10	36120291	SHIM 10X16X0,15	X
10	36120308	Shim 10x13x0,30	X
10	36120604	Washer 10x22x2,5	X
10	36120299	SHIM 10X17X0,20	X
12	46810605	SHIM 12X21X0,10	X
12	46810490	SHIM 12X24X0,20	X
12	46810491	Shim 12x26x0,20	X
12	46810492	Shim 12x28x0,20	X
12	46810493	SHIM 12X30X0,20	X
12	46810494	Shim 12x32x0,20	X
12	46810495	Shim 12x34x0,20	X
12	46810496	SHIM 12X36X0,20	X
12	46810497	SHIM 12X38X0,20	X
12	46810498	Shim 12x40x0,20	X
12	46810499	Shim 12x24x0,25	X
12	46810500	SHIM 12X26X0,25	X
12	46810501	SHIM 12X28X0,25	X
12	46810502	Shim 12x30x0,25	X
12	46810504	SHIM 12X34X0,25	X
12	46810505	SHIM 12X36X0,25	X
12	46810507	Shim 12x40x0,25	X
12	46810508	SHIM 12X24X0,30	X
12	46810509	SHIM 12X26X0,30	X
12	46810510	SHIM 12X28X0,30	X
12	46810512	SHIM 12X32X0,30	X
12	46810513	SHIM 12X34X0,30	X
12	46810518	SHIM 12X26X0,15	X
12	46810519	SHIM 12X28X0,15	X
12	46810520	SHIM 12X30X0,15	X
12	46810521	SHIM 12X32X0,15	X
12	46810522	SHIM 12X34X0,15	X
12	46810523	SHIM 12X36X0,15	X
12	46810524	SHIM 12X38X0,15	X
12	46810525	SHIM 12X40X0,15	X
12	46810604	SHIM 12X20X0,10	X

080000190

4668

* NEW PART

X ON DEMAND



- 5 Ø 5 mm
- 6 Ø 6 mm
- 8 Ø 8 mm
- 10 Ø 10 mm
- 12 Ø 12 mm
- 14 Ø 14-14,5 mm
- 16 Ø 16 mm
- 20 Ø 20 mm
- 21 Ø 21 mm
- 22 Ø 22 mm
- 23 Ø 23 mm
- 24 Ø 24,5 mm
- 28 Ø 28,25-28,5 mm
- 32 Ø 32 mm
- 52 Ø 52 mm



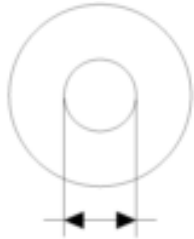
POS	PARTNUMBER		PIECE
12	46810606	SHIM 12X22X0,10	X
12	46810607	SHIM 12X23X0,10	X
12	46810608	SHIM 12X24X0,10	X
12	46810610	Shim 12x17x0,15	X
12	46810611	SHIM 12X18X0,15	X
12	46810612	SHIM 12X19X0,15	X
12	46810615	SHIM 12X22X0,15	X
12	46810636	BACKPLATE 12X16X0,30	X
12	46810637	Shim 12x17x0,30	X
12	46810638	Shim 12x18x0,30	X
12	46810639	SHIM 12X19X0,30	X
12	46810641	Shim 12X21X0,30	X
12	46811582	Shim 12x30x0,10	X
12	46810631	SHIM 12X20X0,25	X
12	46810633	SHIM 12X22X0,25	X
12	46811580	Shim 12x32x0,10	X
12	46810503	SHIM 12X32X0,25	X
12	46810517	SHIM 12X24X0,15	X
12	46810856	Shim 12x20x0,30	X
12	46811258	Washer 12x24x2,5	X
12	46812018	Shim 12x42x0,25	X
12	46812015	Shim 12x44x0,20	X
12	46810613	SHIM 12X20X0,15	X
12	46810623	SHIM 12X21X0,20	X
12	46810624	SHIM 12X22X0,20	X
12	46810642	SHIM 12X22X0,30	X
12	46810643	SHIM 12X23X0,30	X
12	46811629	Shim 12x28x0,10	X
12	46810511	SHIM 12X30X0,30	X
12	46810514	SHIM 12X36X0,30	X
12	46810506	SHIM 12X38X0,25	X
12	46810515	SHIM 12X38X0,30	X
12	46812017	Shim 12x42x0,20	X
12	46812016	Shim 12x44x0,25	X
12	46810622	SHIM 12X20X0,20	X
12	46811635	Shim 12x26x0,10	X
12	50181296	Shim 12x45x0,20	X
12	46810620	Shim 12x18x0,2	X

080000190

4668

* NEW PART

X ON DEMAND



5 Ø 5 mm

6 Ø 6 mm

8 Ø 8 mm

10 Ø 10 mm

12 Ø 12 mm

14 Ø 14-14,5 mm

16 Ø 16 mm

20 Ø 20 mm

21 Ø 21 mm

22 Ø 22 mm

23 Ø 23 mm

24 Ø 24,5 mm

28 Ø 28,25-28,5 mm

32 Ø 32 mm

52 Ø 52 mm



POS	PARTNUMBER		PIECE
12	46810616	Shim 12x23x0,15	X
12	46810625	SHIM 12X23X0,20	X
12	50181297	Adjustment 12x45x0,25	X
12	46810603	SHIM 12X19X0,10	X
12	46180712	SHIM 12X36X0,10	X
12	46810614	SHIM 12X21X0,15	X
12	46810628	SHIM 12X17X0,25	X
12	46810634	SHIM 12X23X0,25	X
12	S64120000000000	Shim 12x25x0.15	X
12	46810516	SHIM 12X40X0,30	X
12	S64120000800000	Shim 12x34x0,1	X
12	46810627	SHIM 12X16X0,25	X
12	46810632	SHIM 12X21X0,25	X
12	46810602	SHIM 12X18X0,10	X
14	35480479	Shim 14x26x0,40	X
14	46811046	Washer 14,5x35,4x1,25	X
16	50180023	SHIM 16X23X0,20	X
16	50180030	Shim 16x23x0,25	X
16	50180006	Shim 16x20x0,10	X
16	50180007	SHIM 16X21X0,10	X
16	50180028	SHIM 16X21X0,25	X
16	50180210	Washer 16x21x1	X
16	50180008	SHIM 16X22X0,10	X
16	50180022	Shim 16x22x0,20	X
16	50180037	SHIM 16X23X0,30	X
16	50180038	SHIM 16X24X0,30	X
16	50180032	Shim 16x25x0,25	X
16	50180039	SHIM 16X25X0,30	X
16	50180012	SHIM 16X26X0,10	X
16	50180019	SHIM 16X26X0,15	X
16	50180026	SHIM 16X26X0,20	X
16	50180040	SHIM 16X26X0,30	X
16	50180041	SHIM 16X28X0,10	X
16	50180045	Shim 16x28x0,15	X
16	50180054	Shim 16x28x0,2	X
16	50180063	SHIM 16X28X0,25	X
16	50180072	SHIM 16X28X0,30	X
16	50180046	SHIM 16X30X0,15	X

080000190

4668

* NEW PART

X ON DEMAND



- ⑤ Ø 5 mm
- ⑥ Ø 6 mm
- ⑧ Ø 8 mm
- ⑩ Ø 10 mm
- ⑫ Ø 12 mm
- ⑭ Ø 14-14,5 mm
- ⑯ Ø 16 mm
- ⑳ Ø 20 mm
- ㉑ Ø 21 mm
- ㉒ Ø 22 mm
- ㉓ Ø 23 mm
- ㉔ Ø 24,5 mm
- ㉘ Ø 28,25-28,5 mm
- ㉚ Ø 32 mm
- ㉜ Ø 52 mm



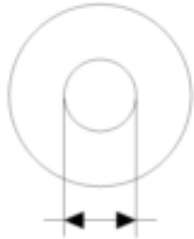
POS	PARTNUMBER		PIECE
16	50180055	SHIM 16X30X0,20	X
16	50180064	Shim 16x30x0,25	X
16	50180073	SHIM 16X30X0,30	X
16	50180047	Shim 16X32X0,15	X
16	50180056	Shim 16x32x0,2	X
16	50180065	SHIM 16X32X0,25	X
16	50180074	SHIM 16X32X0,30	X
16	50180044	SHIM 16X34X0,10	X
16	50180048	SHIM 16X34X0,15	X
16	50180057	Shim 16x34x0,2 y5	X
16	50180066	SHIM 16X34X0,25	X
16	50180075	SHIM 16X34X0,30	X
16	50180049	Shim 16x36x0,15	X
16	50180058	Shim 16x36x0,20	X
16	50180067	SHIM 16X36X0,25	X
16	50180076	SHIM 16X36X0,30	X
16	50180050	SHIM 16X38X0,15	X
16	50180059	SHIM 16X38X0,20	X
16	50180068	SHIM 16X38X0,25	X
16	50180077	SHIM 16X38X0,30	X
16	50180051	Shim 16x40x0,15	X
16	50180060	Shim 16x40x0,2	X
16	50180069	SHIM 16X40X0,25	X
16	50180078	SHIM 16X40X0,30	X
16	50180052	SHIM 16X42X0,15	X
16	50180061	Shim 16x42x0,2	X
16	50180070	SHIM 16X42X0,25	X
16	50180079	SHIM 16X42X0,30	X
16	50180053	SHIM 16X44X0,15	X
16	50180062	Shim 16X44X0,20	X
16	50180071	SHIM 16X44X0,25	X
16	50180080	SHIM 16X44X0,30	X
16	50180177	Springwasher 8,2x16x0,6	X
16	50180033	Shim 16x26x0,25	X
16	50180034	Shim 16x20x0,30	X
16	50180035	Shim 16x21x0,30	X
16	50180036	Shim 16x22x0,30	X
16	50180043	SHIM 16X32X0,10	X

080000190

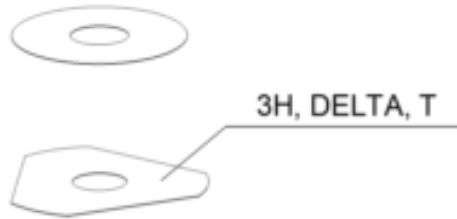
4668

* NEW PART

X ON DEMAND



- ⑤ Ø 5 mm
- ⑥ Ø 6 mm
- ⑧ Ø 8 mm
- ⑩ Ø 10 mm
- ⑫ Ø 12 mm
- ⑭ Ø 14-14,5 mm
- ⑯ Ø 16 mm
- ⑳ Ø 20 mm
- ㉑ Ø 21 mm
- ㉒ Ø 22 mm
- ㉓ Ø 23 mm
- ㉔ Ø 24,5 mm
- ㉘ Ø 28,25-28,5 mm
- ㉚ Ø 32 mm
- ㉜ Ø 52 mm



POS	PARTNUMBER		PIECE
16	50180024	Shim 16x24x0,20	X
16	50180027	SHIM 16X20X0,25	X
16	50180031	Shim 16x24x0,25	X
16	50180029	SHIM	X
16	50180010	SHIM 16X24X0,10	X
16	50180021	SHIM 16X21X0,20	X
16	50180025	SHIM 16X25X0,20	X
16	50180383	Washer 16x19x0,3	X
16	50180014	SHIM	X
16	50180013	SHIM 16X20X0,15	X
16	50180015	DISTANCER PLATE 16X22X0,15	X
16	50180017	Shim 16x24x0,15	X
16	50180009	DISTANCER PLATE 16X23X0,10	X
16	50180016	SHIM 16X23X0,15	X
16	50180020	SHIM 16X20X0,20	X
20	48600212	PRESSURE-RING 20X16,25X0,20	X
20	50180666	SHIM 20X24X0,30	X
20	50180654	SHIM 20X36X0,20	X
20	50180655	SHIM 20X38X0,20	X
20	50180656	SHIM 20X40X0,20	X
20	50180665	SHIM 20X40X0,25	X
20	50180662	SHIM 20X34X0,25	X
20	50180657	SHIM 20X24X0,25	X
20	50180653	SHIM 20X34X0,20	X
20	50180634	RING 20X22,9X1	X
20	50180650	SHIM 20,2X28X0,20	X
20	50180663	SHIM 20X36X0,25	X
20	50180664	SHIM 20X38X0,25	X
20	50180659	SHIM 20,2X28X0,25	X
21	50180209	Shim 21x36x0,25	X
22	50180330	Shim 18x22x0,3	X
23	50180635	SHUTTLE VALVE 23X38X0,25	X
23	50180578	SHIM D23XD16X2	X
24	40541061	WASHER 24,5X34X2	X
28	36120469	SHIM 28,5X14X2	X
28	36120471	SHIM 28,5X14X5	X
28	89000001	Shim 28,25x34x0,30	X
28	46811636	Shim 28,25x32x0,30	X

080000190

4668

* NEW PART

X ON DEMAND



- ⑤ Ø 5 mm
- ⑥ Ø 6 mm
- ⑧ Ø 8 mm
- ⑩ Ø 10 mm
- ⑫ Ø 12 mm
- ⑭ Ø 14-14,5 mm
- ⑯ Ø 16 mm
- ⑳ Ø 20 mm
- ㉑ Ø 21 mm
- ㉒ Ø 22 mm
- ㉓ Ø 23 mm
- ㉔ Ø 24,5 mm
- ㉘ Ø 28,25-28,5 mm
- ㉚ Ø 32 mm
- ㉜ Ø 52 mm



POS	PARTNUMBER		PIECE
32	48600460	WASHER 32X42X2,5	X
32	50600065	SHIM 32X45X2	X
32	46811637	Shim 32,25x36x0,30	X
52	50600002	Washer 52x59x2,2	X

080000190

4668

* NEW PART

X ON DEMAND



10/2023

ART.-NR.F0001X4



Stallhofnerstraße 3 / 5230 Mattighofen / Austria / www.gasgas.com



Engine MC 50 2024

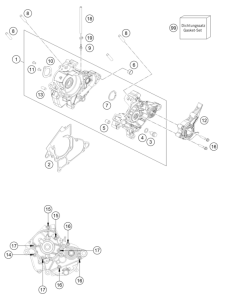
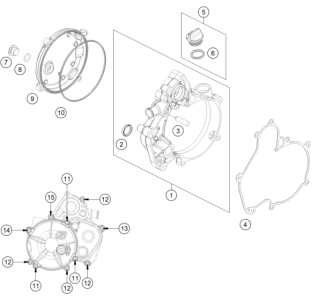
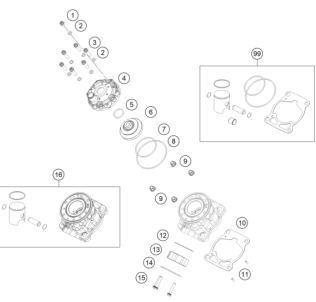
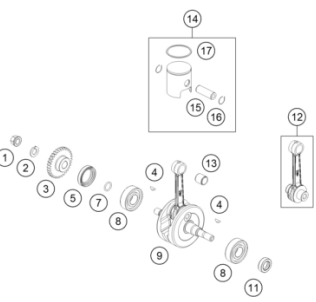
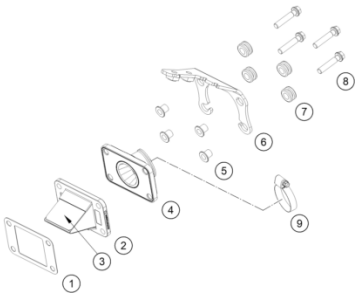
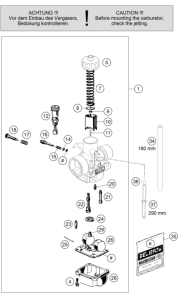
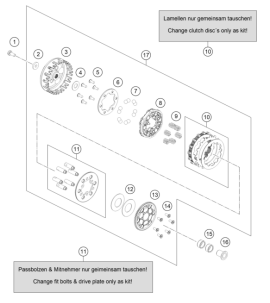
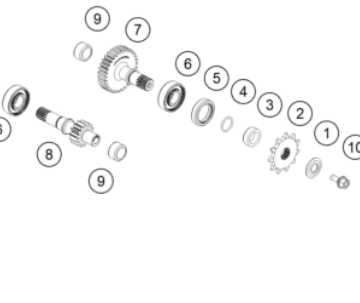
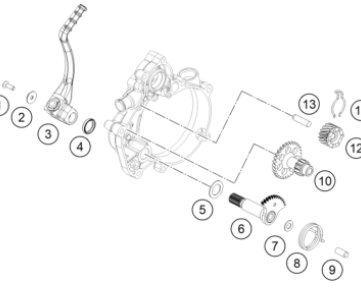
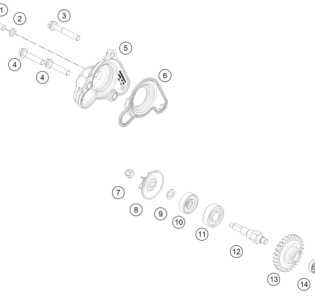
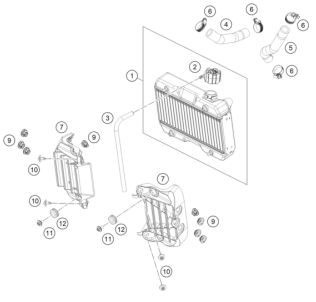

ENGINE / ART.-NR.080259X / 2024
SPAREPARTSCATALOG

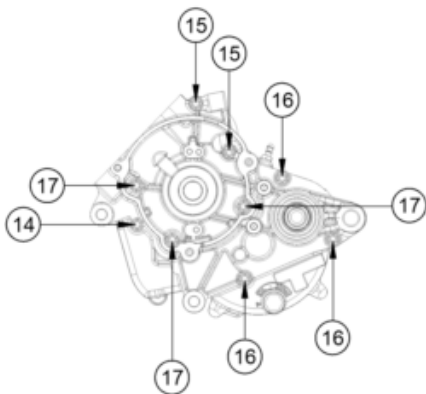
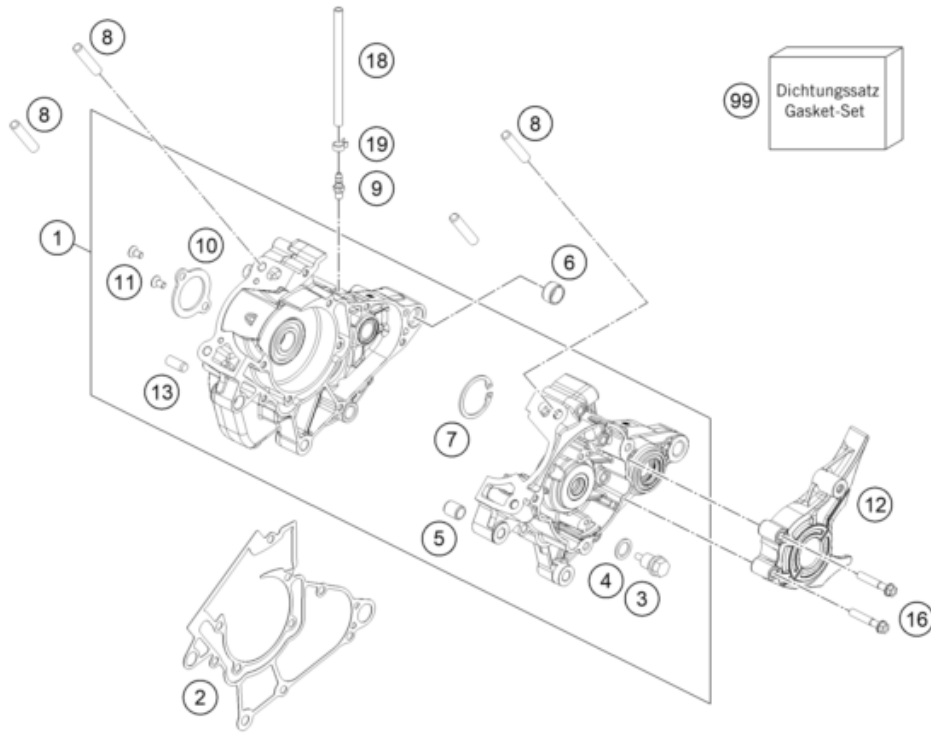
GASGAS



All information contained is without obligation. KTM Sportmotorcycle GmbH particularly reserves the right to modify any equipment, technical specifications, prices, colors, shapes, materials, services, service work, constructions, equipment and the like so as to adapt them to local conditions or to cancel any of the above items, all without previous announcement and without giving reasons. KTM may stop manufacturing certain models without previous notice. KTM shall not be held liable for any deviations of availability and/or ability to deliver, illustrations, descriptions, printing and/or other errors. The illustrated models partly contain extra equipment, which is not applied to standard models.

© by KTM Sportmotorcycle GmbH, Mattighofen AUSTRIA; All rights reserved; Reprint, also in extracts, with written allowance of KTM Sportmotorcycle GmbH, Mattighofen only.

<p>ENGINE CASE</p>  <p style="text-align: right;">2</p>	<p>CLUTCH COVER</p>  <p style="text-align: right;">3</p>	<p>CYLINDER, CYLINDER HEAD</p>  <p style="text-align: right;">4</p>	<p>CRANKSHAFT, PISTON</p>  <p style="text-align: right;">5</p>
<p>REED VALVE CASE</p>  <p style="text-align: right;">6</p>	<p>CARBURETOR</p>  <p style="text-align: right;">7</p>	<p>CLUTCH</p>  <p style="text-align: right;">9</p>	<p>TRANSMISSION</p>  <p style="text-align: right;">10</p>
<p>KICK STARTER</p>  <p style="text-align: right;">11</p>	<p>WATER PUMP</p>  <p style="text-align: right;">12</p>	<p>COOLING SYSTEM</p>  <p style="text-align: right;">13</p>	<p>IGNITION SYSTEM</p>  <p style="text-align: right;">14</p>



POS	PARTNUMBER		PIECE
1	A4003000044	Motorhousing cpl.	1
2	45230039000	ENGINE CASE GASKET	1
3	58030021100	oil drain plug with magnet	1
4	58038022000	CU-SEAL RING DIN7603-12X18X1,5	1
5	46230024000	DOWEL 12X9X14,5	2
6	58330023000	DOWEL 17 X 14 X 9,5	1
7	0472035150	CIRCLIP DIN0472-35X1,5	1
8	46030043000	STUD M8X41	4
9	58336020190	VACUUM CONECTION M6/3MM '97	1
10	45230017000	BEARING BRACKET	1
11	0019050106S	hex lobe countersunc screw M5x10 - 10.9	2
12	A40003096000	Front sprocket cover	1
13	0325080200	CYLINDER STUD DIN6325 8X20 M6	1
14	0025060356	HH collar screw M6x35 TX30	1
15	0025060556	HH collar screw M6x55 TX30	2
16	0025060306	HH collar screw M6x30 TX30	5
17	0025060406	HH collar screw M6x40 TX30	3
18	31007007101	PVC-HOSE 4X6MM	x
19	45230089000	YDNAC-CLAMP 10068 (6,8MM)	1
99	A40030099000	Engine gasket kit 50	1

24A4003010

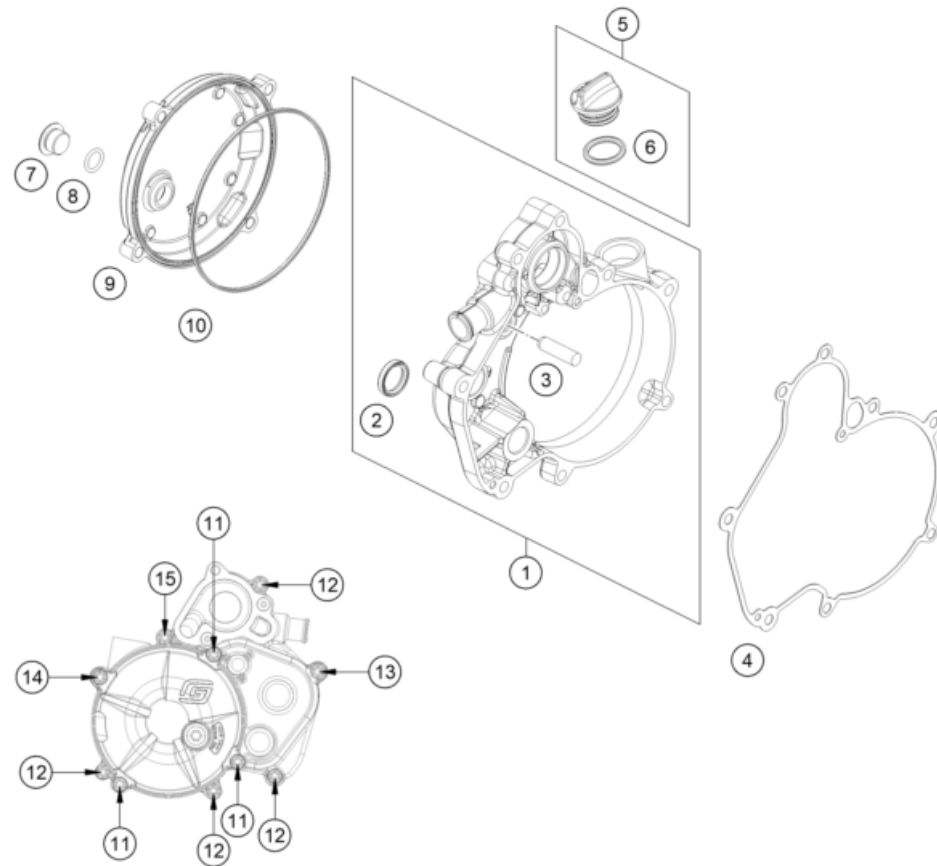
68671

* NEW PART

X ON DEMAND

CLUTCH COVER

Engine MC 50 2024 2024



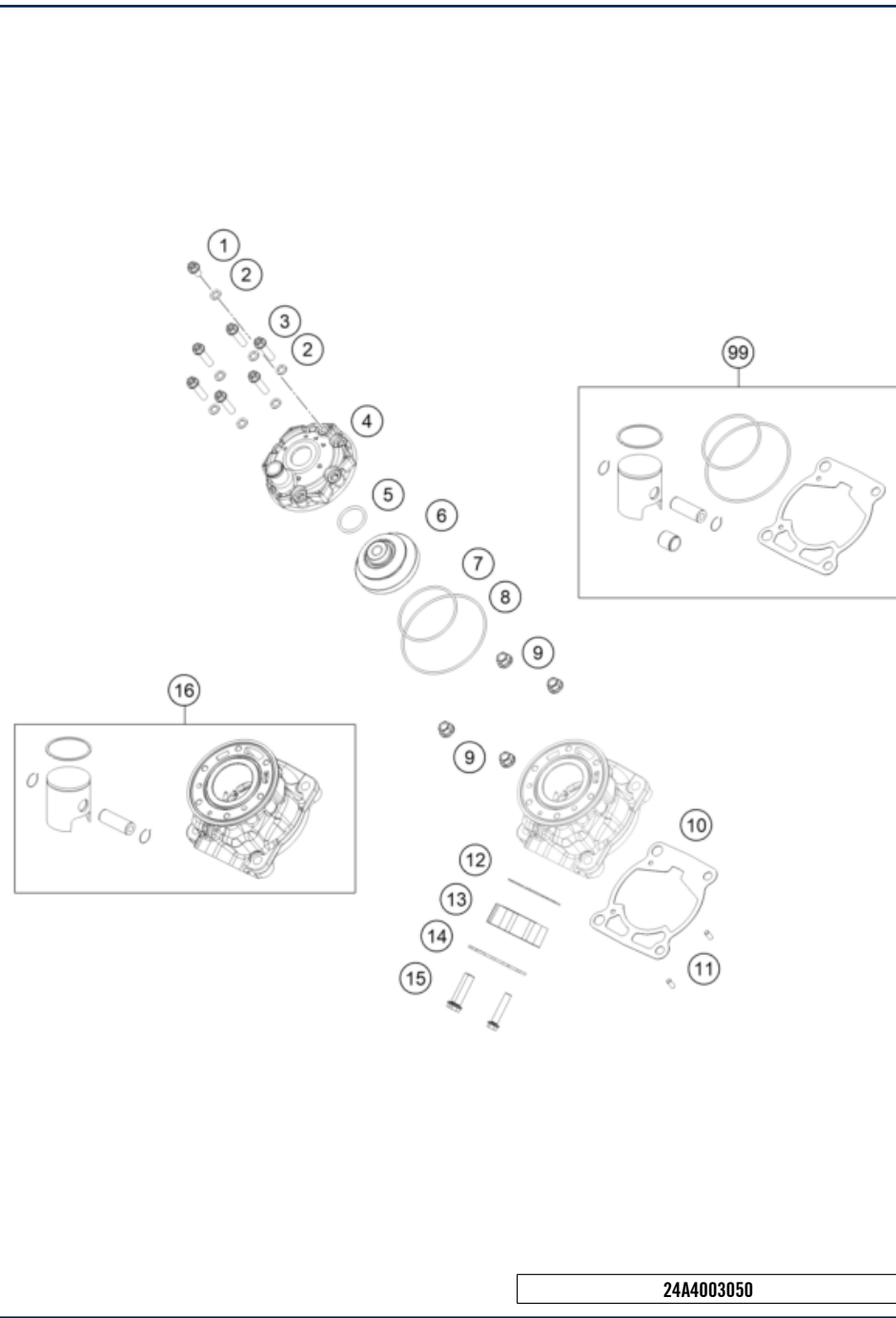
POS	PARTNUMBER		PIECE
1	A40030001044	Inner clutch cover compl.	1
2	0760162240	SHAFT SEAL RING BALANC. SHAFT	1
3	0325080300	CYLINDER STUD DIN6325 8X30 M6	1
4	A40030025000	Clutch cover gasket int.	1
5	79430020033	OIL FILLER CAP M24x3 WITH O-R	1
6	0770191015	O-RING 19,00X3,00 NBR	1
7	0900001409000	Plug	1
8	0770110021	O-RING 11X2 VITON	1
9	A4003012600091	outer clutch cover	1
10	45230027000	CLUTCH COVER GASKET	1
11	0025060206	HH collar screw M6x20 TX30	3
12	0025060256	HH collar screw M6x25 TX30	4
13	0025060406	HH collar screw M6x40 TX30	1
14	0025060556	HH collar screw M6x55 TX30	1
15	0025060356	HH collar screw M6x35 TX30	1

24A4003022

68896

* NEW PART

X ON DEMAND



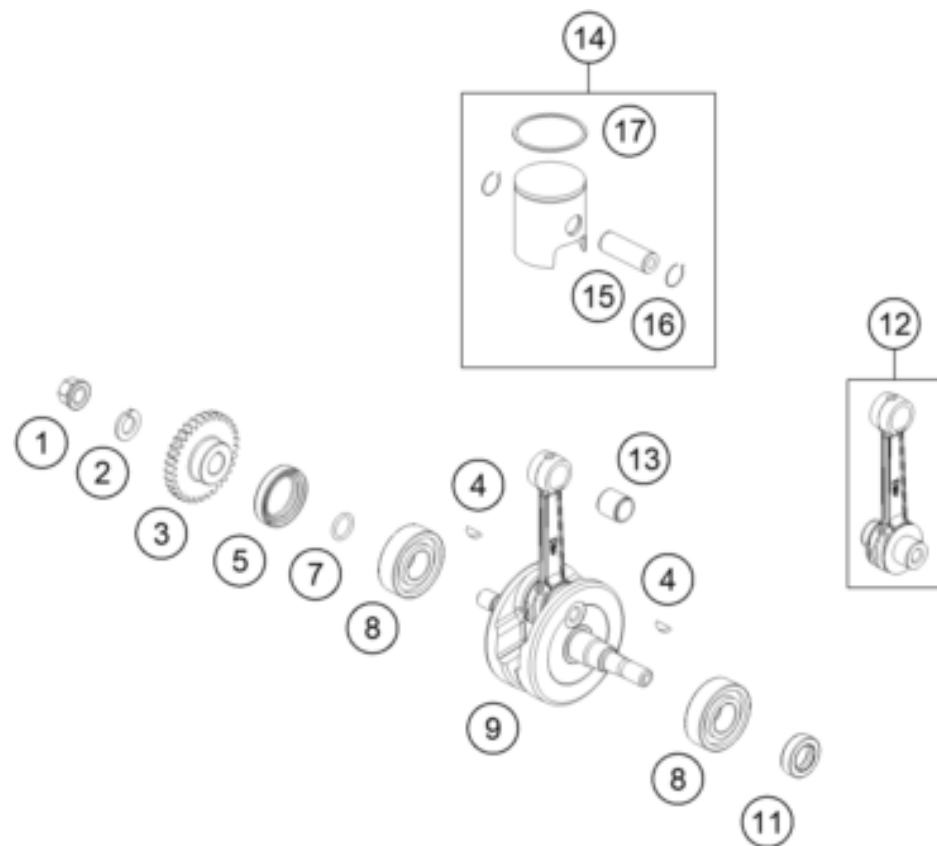
POS	PARTNUMBER		PIECE
1	0025060106	HH collar screw M6x10 TX30	1
2	0603061001	CU-SEAL RING DIN7603-6X10X1	7
3	0025060256	HH collar screw M6x25 TX30	6
4	47230006100	Cylinder head	1
5	0770023025	O-ring 23x2,5 Viton 75SH	1
6	A40030060000	Combustion chamber insert	1
7	0770540020	O-RING 54X2 VITON	1
8	0770800021	O-RING 80,00X2,00 VITON	1
9	46030045000	flanged nut M8 WS10	4
10	A40530035020	Cylinder base gasket	x
10	A40530035025	Cylinder base gasket	x
10	A40530035040	Cylinder base gasket	x
10	A40530035050	Cylinder base gasket	x
10	A40530035060	Cylinder base gasket	x
11	0402040980	NEEDLE ROL.DIN5402 NRB 4X9,8	2
12	45205004000	EXHAUST FLANGE GASKET	1
13	45305003000	Exhaust flange	1
14	46205003050	BRACKET FOR SPRINGHOLDER	1
15	0025060306S	HH collar screw M6x30 TX30	3
16	A40030038000	Cylinder + piston	1
99	A40030007010 I	piston kit I 50 SX/TC/MC	x
99	A40030007010 II	piston kit II 50 SX/TC/MC	x

24A4003050

68690

* NEW PART

X ON DEMAND



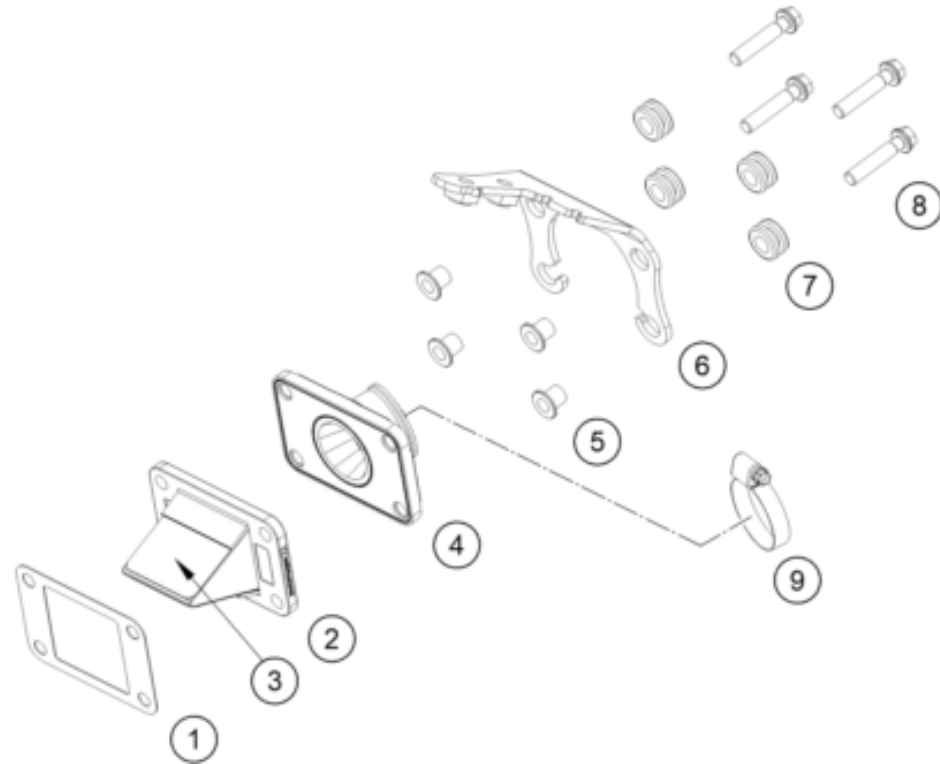
POS	PARTNUMBER		PIECE
1	58414030000	HH COLLAR NUT M10X1,25 WS=13	1
2	45230072000	LOCKING RING VSK 10	1
3	A40032023033	Primary gear	1
4	0888030037	WOODRUFF KEY DIN6888-3X3,7	2
5	0760263561	SHAFT SEAL RING 26X35X6BSL NB	1
7	0770150178	O-ring 15x1.78	1
8	0625062038	Ballbearing NTN 6203JR2CM21	2
9	A40030018000	Crankshaft	1
11	0760152470	SHAFT SEAL RING 15x24x7ASL	1
12	45230015000	CONROD REPAIR KIT 09	1
13	45130034000	NEEDLE BEAR.PISTONPIN 12X15X15	1
14	45230007100 I	Piston cpl. I	1
14	45230007100 II	Piston cpl. II	1
15	45230033100	Piston pin	1
16	45230074000	CIRCLIP 09	2
17	45230030000	PISTONRING 09	1

24A4003060

68670

* NEW PART

X ON DEMAND



POS	PARTNUMBER		PIECE
1	46230049000	GASKET MEMBRAN CASE	1
2	46230151044	REED VALVE ASSY CPL.	1
3	46230152028	Membrane	2
4	45230150000	INTAKE FLANGE	1
5	45239060050	COLLAR BUSHING 6,3X8X13X9,5	4
6	A40039010000	Ignition coil retaining bracket, compl.	1
7	31008060000	rubber grommet D=8mm open	4
8	0025060306S	HH collar screw M6x30 TX30	4
9	10001120000	CLAMP 25-40 SGT 4	1

24A4003070

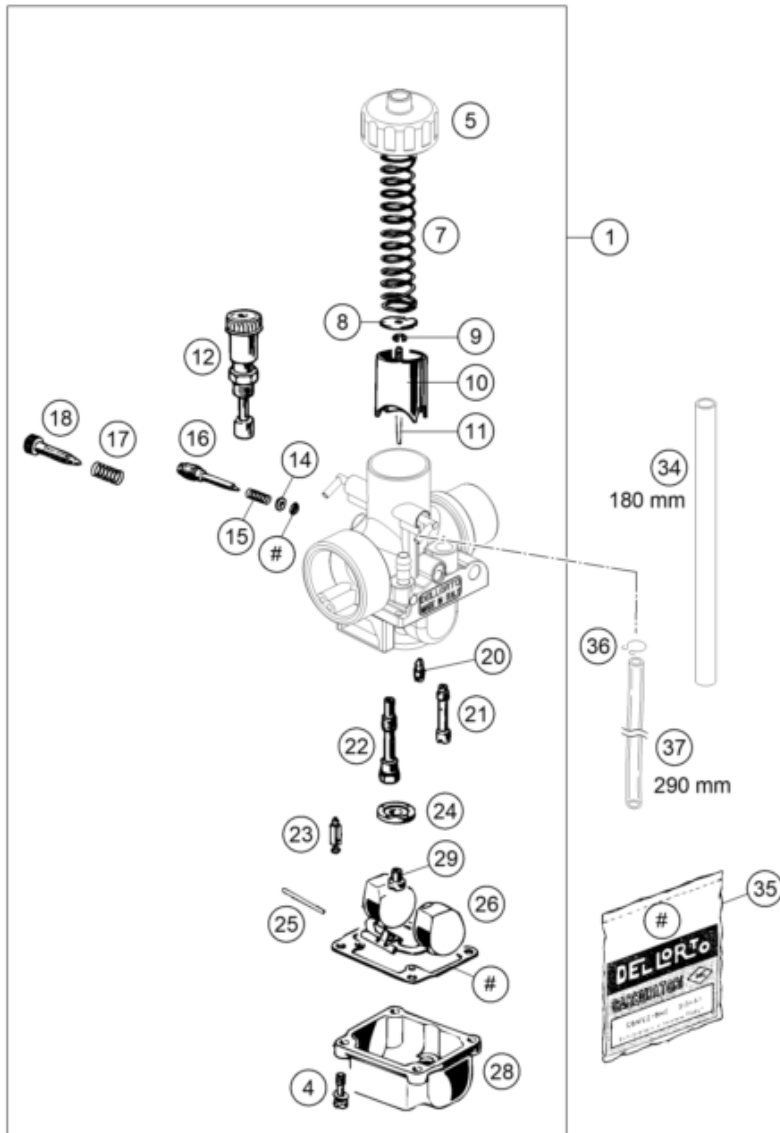
68701

* NEW PART

X ON DEMAND

ACHTUNG !!!
Vor dem Einbau des Vergasers,
Bedüsung kontrollieren.

CAUTION !!!
Before mounting the carburetor,
check the jetting.



24A4003110

POS	PARTNUMBER		PIECE
1	A40031001044	Carburetor	1
		Check the jetting	
4	0016040163	HH COLLAR SCREW M 4X16 WS=6	4
5	45231027000	Carburetor Cover	1
7	45131030000	SPRING DELLORTO	1
8	45131109000	RETAINING SPRING DELLORTO	1
9	0799025055	TAB WASHER DIN6799-RS 2,5	1
10	45131035040	THR. VALVE DELLO.40 2008	1
11	45131034007	JET NEEDLE W7	1
12	45131048000	STARTING BUTTON DELLORTO 19	1
14	57031572000	WASHER 3,3 X 5,8 X 0,5	1
15	45131015000	SPRING DELLORTO	1
16	45131017000	AIR ADJUST SCREW DELLORTO	1
17	45131518000	SPRING	1
18	45131019000	IDLE ADJUST SCREW	1
20	45131007045	IDLING JET 45 DELLORTO	x
20	45131007048	IDLING JET 48 DELLORTO	x
20	45131007050	IDLING JET 50 DELLORTO	1
20	45131007052	IDLING JET 52 DELLORTO	x
20	45131007055	IDLING JET 55 DELLORTO	x
21	.	DUMMY_SPC	1
22	45131021262	NEEDLE JET 262	1
23	45131020000	FLOATING NEEDLE VALVE DELLORTO	1
24	45131074000	COVER DELLORTO	1
25	45131008000	PIN DELLORTO	1
26	45131009000	FLOAT 4 GR.	1
28	45131011000	FLOAT BOWL DELLORTO 19	1
29	15131123080	MAIN JET 80 DELLORTO	x
29	15131123082	Main jet 82	x
29	15131123085	MAIN JET 85 DELLORTO	x
29	15131123088	Main jet 84	1
29	15131123090	MAIN JET 90 DELLORTO	x
29	15131123092	MAIN JET 92 DELLORTO	x
29	15131123095	MAIN JET 95 DELLORTO	x
29	15131123098	Main jet 98 Dellorto	x
34	58307016001	FUEL HOSE VITON 6X1,5 PER/M	x
35	45131099000	GASKET SET DELLORTO 19	1

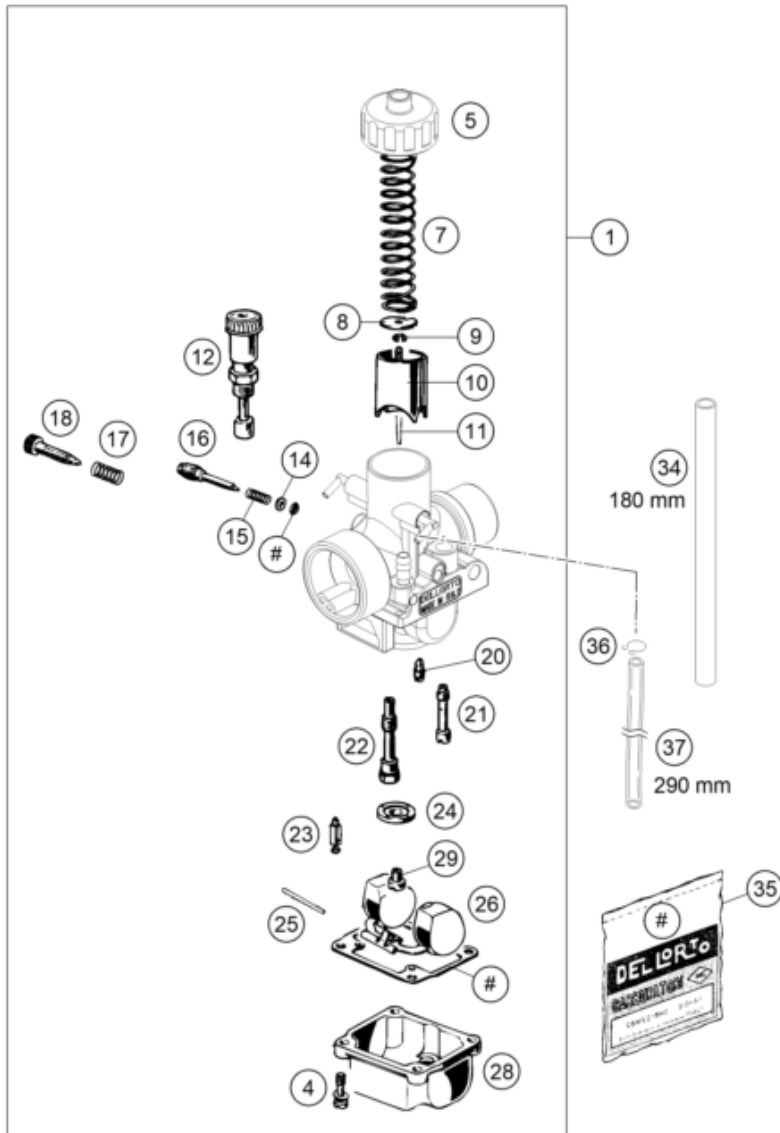
68724

* NEW PART

X ON DEMAND

ACHTUNG !!!
Vor dem Einbau des Vergasers,
Bedüsung kontrollieren.

CAUTION !!!
Before mounting the carburetor,
check the jetting.



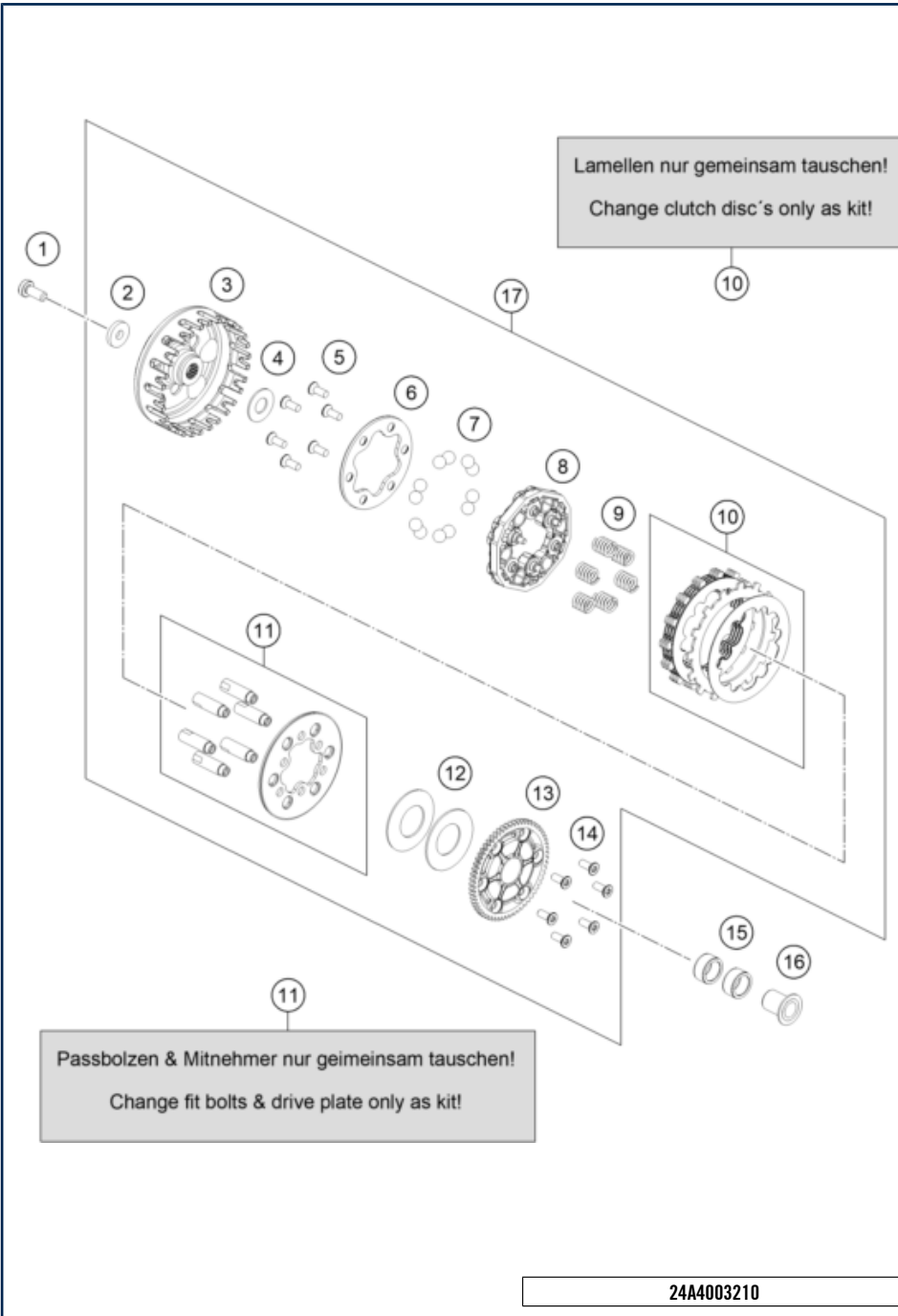
POS	PARTNUMBER		PIECE
36	54531696000	CLAMP 6 MM	1
37	31007007101	PVC-HOSE 4X6MM	x

24A4003110

68724

* NEW PART

X ON DEMAND



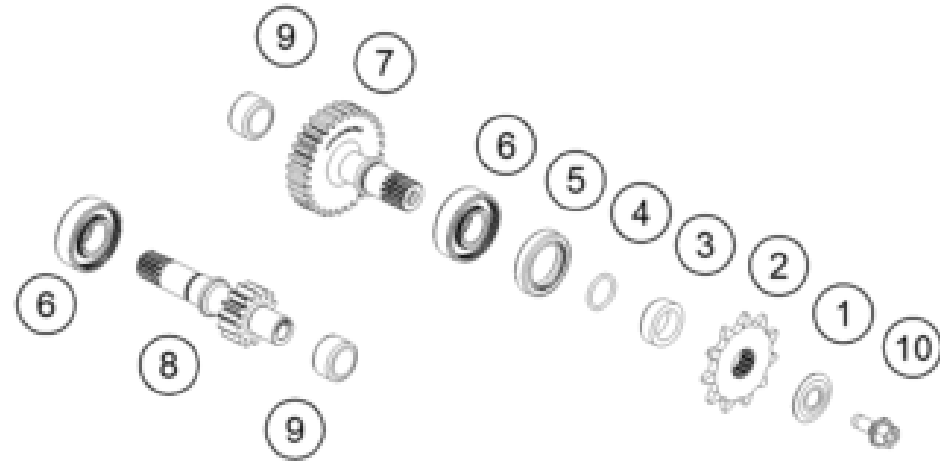
POS	PARTNUMBER		PIECE
1	0035080206S	SHCS M8x20 TX45	1
2	0340084234	WASHER DIN 6340 8,4X23X4	1
3	A40032001000	Outer clutch hub	1
4	75034050000	STOP DISK 14X30X1,5 STEEL	1
5	010642060166S	Hex screw ISO10642-M6x16 self-locking	6
6	45232103000	PRESSURE PLATE	1
7	0401110000	BALL D=11MM	12
8	A40032039044	Spherical Basket cpl.	1
9	0020981172300	Clutch spring 17.3mm	6
10	A40032010033	Clutch plate pack	1
11	45232107244	FIT BOLT WITH DRIVE PLATE	1
12	0020932816000	Spring washer DIN 2093	2
13	A40032124061	Primary gear 61Z	1
14	0106420601602S	Hex screw ISO10642-M6x16 self-locking	6
15	0402182412	NEEDLE BEARING 18X24X12A	2
16	45232013100	Inner ring	1
17	A40032000044	Axial coupling cmpl.	1

24A4003210

68697

* NEW PART

X ON DEMAND



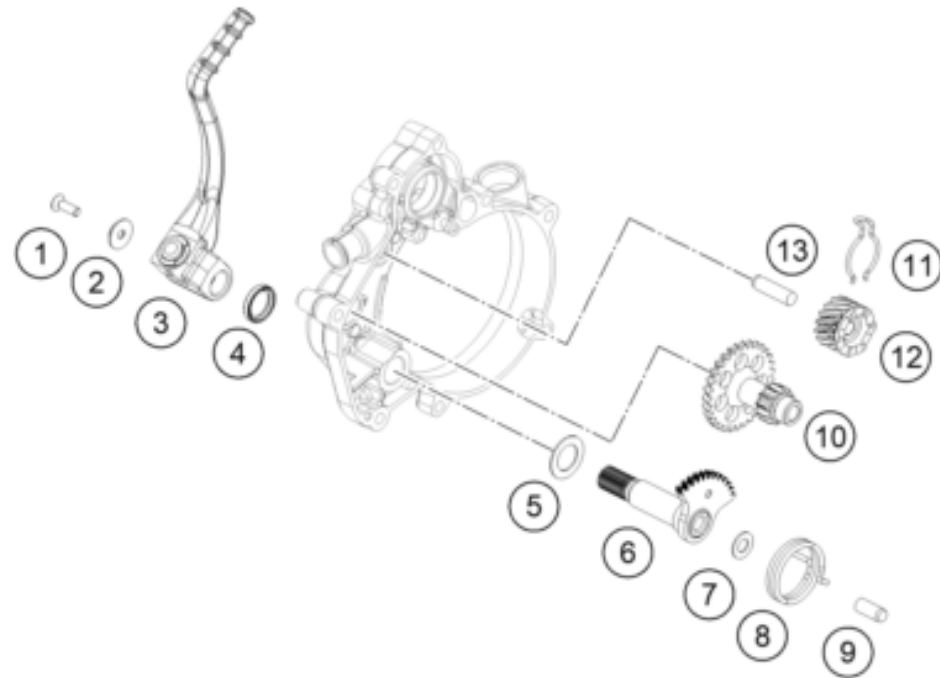
POS	PARTNUMBER		PIECE
1	0020931000100	Spring washer 10.2x25x1.0	1
2	A40033029010	Front sprocket 10T	x
2	A40033029011	Front sprocket 11T	x
3	45233030000	Spacer socket f. sprocket	1
4	0770015018	O-RING 15,00X1,80	1
5	0760223270	SHAFT SEAL RING 22X32X7 BSL	1
6	45133028000	BALL BEARING 15X35X11	2
7	A40033010000	Countershaft	1
8	A40033001000	Main shaft	1
9	54632095000	needle sleeve HK 1412 14x20x12	2
10	0900000601501S	Pinion screw M6x15 SW10 10.9	1

24A4003310

68675

* NEW PART

X ON DEMAND



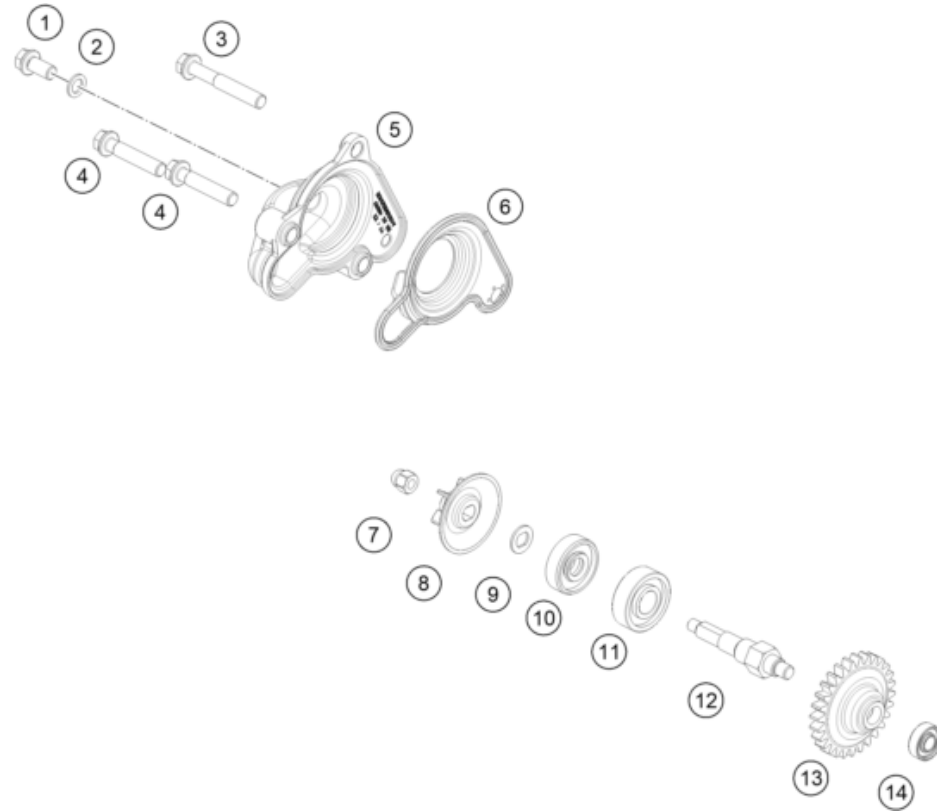
POS	PARTNUMBER		PIECE
1	0019050163S	INT. TORX FLAT HEAD M5X16 8.8	1
2	60008045100	SPECIAL WASHER FOR M5 03	1
3	45233070044	KICKSTARTER CPL.	1
4	0760162240	SHAFT SEAL RING BALANC. SHAFT	1
5	45233058000	WASHER 16,3X25,8X1	1
6	45233050200	Kick-starter shaft	1
7	45233057000	WASHER 8,2X16X1	1
8	45233054100	Kick-starter spring	1
9	0325080200	CYLINDER STUD DIN6325 8X20 M6	1
10	45233153000	Kick starter idling shaft 12Z 30Z	1
11	45233056100	SPRING RATCHET GEAR	1
12	A40033052016	Kick-starter ratchet wheel	1
13	0325080300	CYLINDER STUD DIN6325 8X30 M6	1

24A4003390

68676

* NEW PART

X ON DEMAND



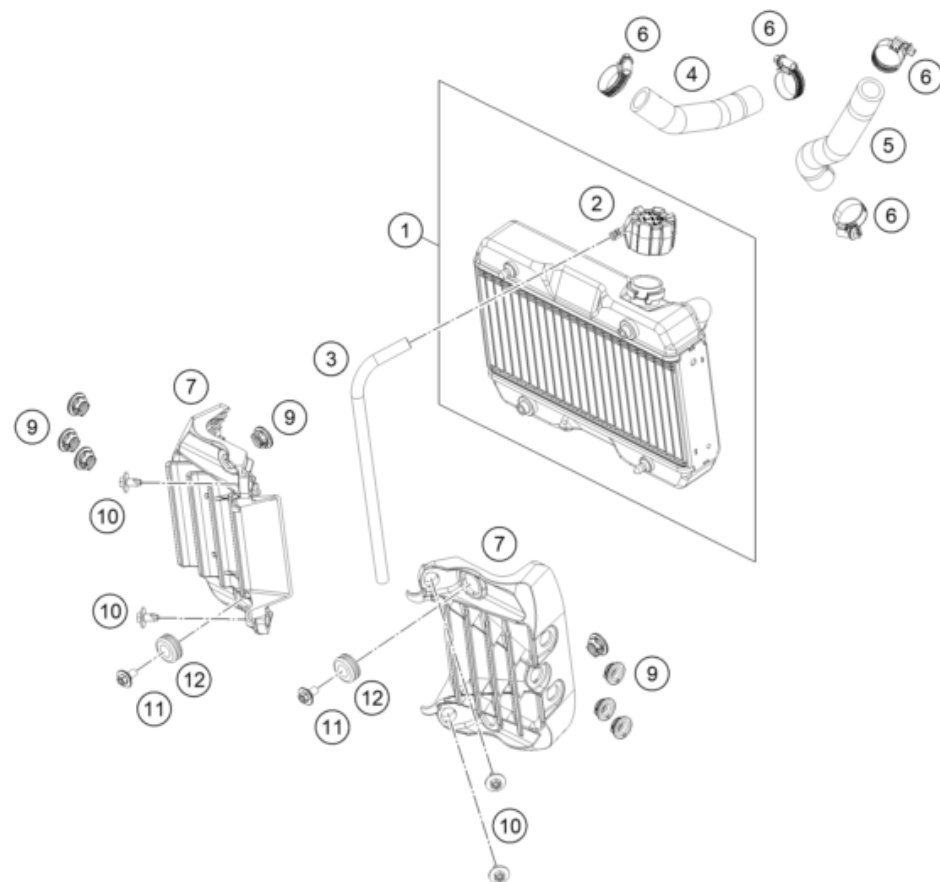
POS	PARTNUMBER		PIECE
1	0025060126	HH collar screw M6x12 TX30	1
2	0603061001	CU-SEAL RING DIN7603-6X10X1	1
3	0025060406	HH collar screw M6x40 TX30	1
4	0025060306	HH collar screw M6x30 TX30	2
5	A40035052000	Water pump cover	1
6	A40035053000	Gasket with carrier plate	1
7	0015870501000	Cap nut M5 DIN 1587	1
8	A40035055000	Water pump impeller	1
9	50435049000	PREFORMED WASHER	1
10	0760082472	SHAFT SEAL RING 8X24X7 A DUO	1
11	0625060001	BALL BEARING 6000/C3	1
12	A40035054050	Water pump shaft, loose	1
13	45235054028	DRIVE WHEEL	1
14	0625006065	Ball bearing 696 DDM1 C3	1

24A4003510

68684

* NEW PART

X ON DEMAND



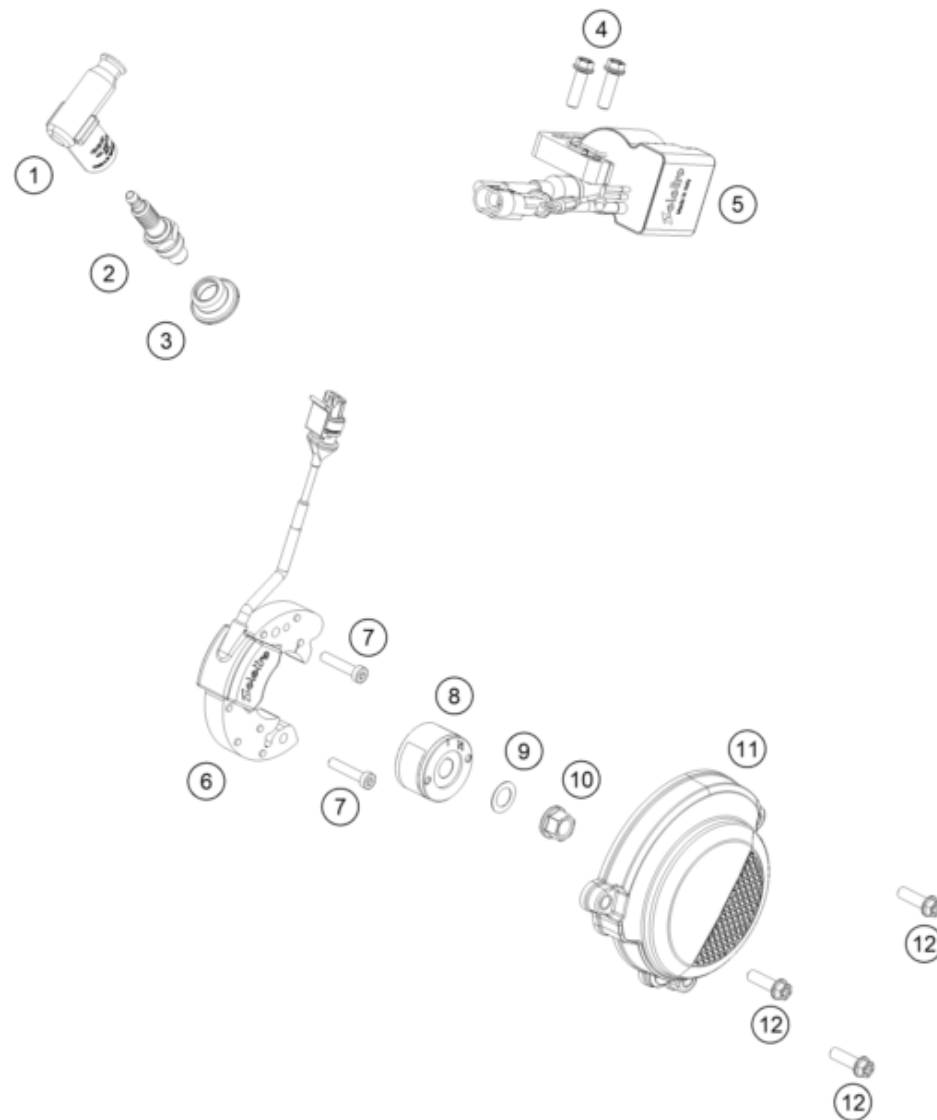
POS	PARTNUMBER		PIECE
1	A40035010000	Radiator	1
2	A46035009000	Radiator cap	1
3	55007016001	PVC-HOSE 7X10 PER METER	1
4	A40035027000	Radiator/water pump pre-formed hose	1
5	A40035026000	Pre-formed hose top	1
6	0310000902400	Hose clip 14-24	4
7	A40035034000	Radiator protection	2
9	47106003160	quick release rubber grommet	8
10	0900000601203	HH ISR collar screw M6x12-10.9 ISA30	4
11	83008000012	special screw M6x12x3	2
12	41001052000	RUBBER SLEEVE D=12MM	2

24A4003530

68705

* NEW PART

X ON DEMAND



POS	PARTNUMBER		PIECE
1	46239190000	Spark plug connector	1
2	A40039093010	Spark plug	1
2	A40039993010	Factory spark plug	x
3	A40539091000	Sealing boot	1
4	0025060206S	HH collar screw M6x20 TX30	2
5	A40039006000	Ignition coil	1
6	A40039004000	Stator 50 cc	1
7	0012050253S	Bolt DIN 6912 - M5x25 SS	2
8	A40039005000	Rotor 50 cc	1
9	45132020000	WASHER 10,4X16,8X0,4	1
10	58414030000	HH COLLAR NUT M10X1,25 WS=13	1
11	A40030002000	Ignition cover	1
12	0025060206	HH collar screw M6x20 TX30	3

24A4003910

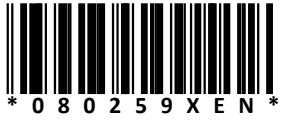
68689

* NEW PART

X ON DEMAND

A large, empty rectangular box with a thin black border, occupying the majority of the page. It is intended for handwritten notes.

A large, empty rectangular box with a thin black border, occupying the majority of the page. It is intended for the user to write their notes.



10/2023

ART.-NR.080259X



Stallhofnerstraße 3 / 5230 Mattighofen / Austria / www.gasgas.com